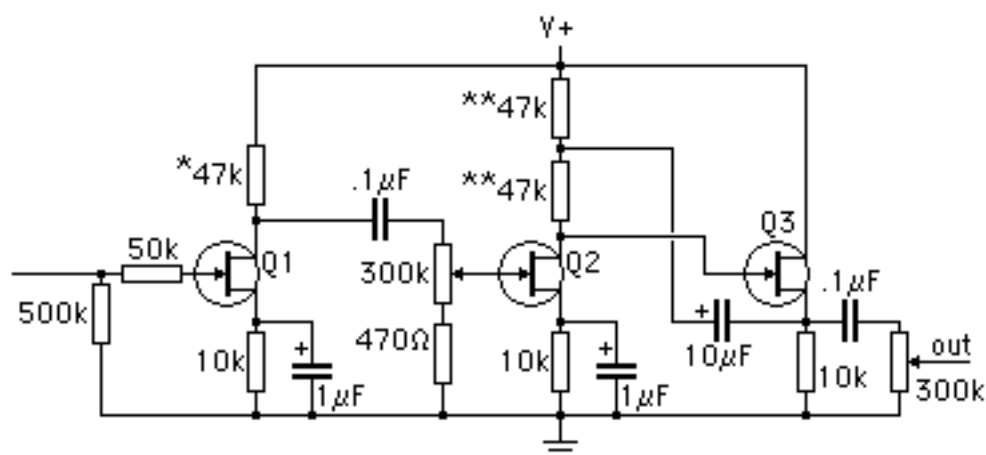


## FET Driver



V1.0  
3/03

\*adjusted so Q1 drain voltage is close to  $1/2 V+$

\*\* adjusted so that Q2 drain voltage is close to  $1/2 V+$

Q1, Q2, Q3 = J201

This is actually a good sounding OD/Dist circuit with good gain and noise characteristics. First stage (Q1) is pretty conventional, second stage (Q2, Q3) is bootstrapped for a gain boost and low output impedance. For best sound, drain resistors on Q1 and Q2 need to be tailored just right.