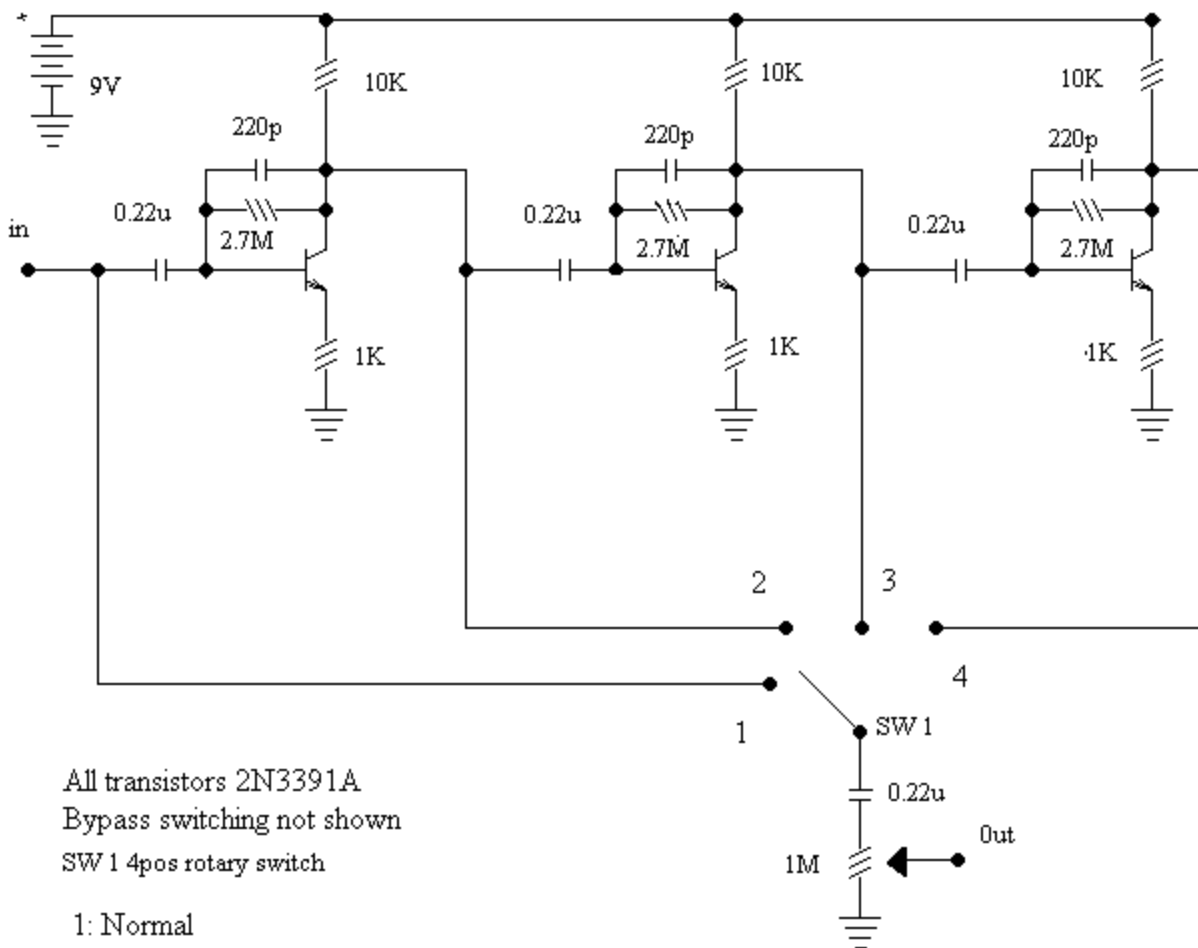


FOXX CLEAN MACHINE



All transistors 2N3391A
 Bypass switching not shown
 SW 1 4pos rotary switch

- 1: Normal
- 2: Sustain
- 3: More Sustain
- 4: Dirty Sustain

Drawn from original unit by Henrik Jakobsen