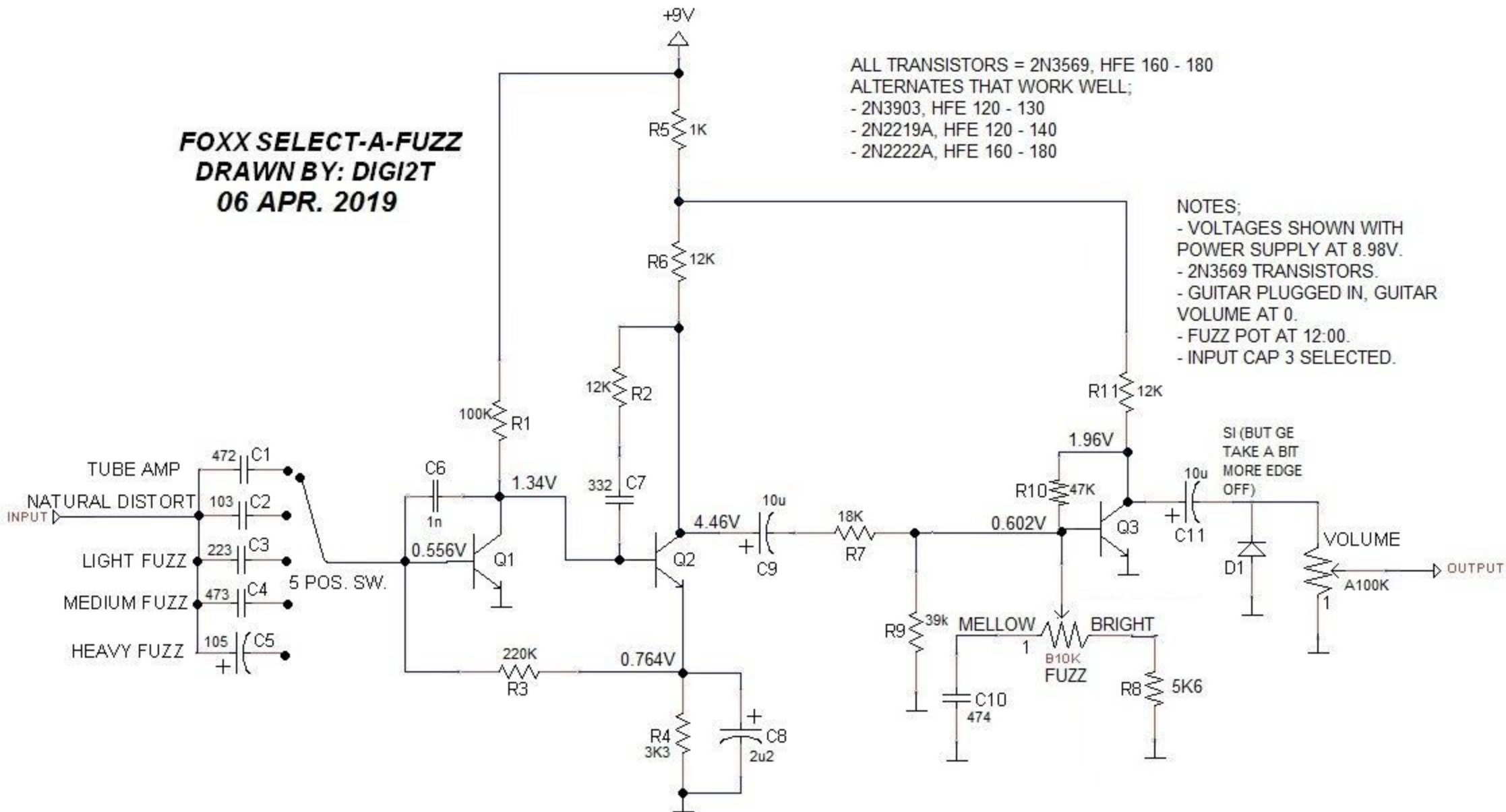


FOXX SELECT-A-FUZZ
DRAWN BY: DIGI2T
06 APR. 2019

ALL TRANSISTORS = 2N3569, HFE 160 - 180
 ALTERNATES THAT WORK WELL;
 - 2N3903, HFE 120 - 130
 - 2N2219A, HFE 120 - 140
 - 2N2222A, HFE 160 - 180

NOTES:
 - VOLTAGES SHOWN WITH
 POWER SUPPLY AT 8.98V.
 - 2N3569 TRANSISTORS.
 - GUITAR PLUGGED IN, GUITAR
 VOLUME AT 0.
 - FUZZ POT AT 12:00.
 - INPUT CAP 3 SELECTED.



SI (BUT GE
 TAKE A BIT
 MORE EDGE
 OFF)

MELLOW
 B10K
 FUZZ
 BRIGHT

VOLUME
 A100K

OUTPUT