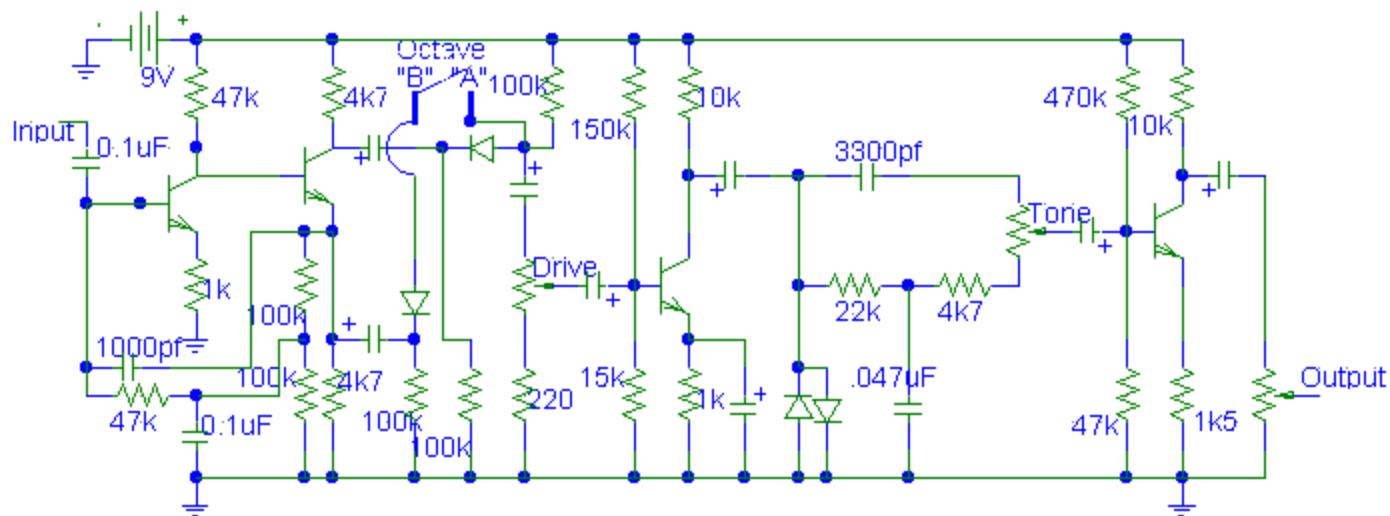




fOXX tone machine



Transistors are 2N3565

Diodes are 1N34A germaniums

Electrolytic capacitors are 10uF 16V

Pots are 50K

Drawn by Justin Philpott 10-97