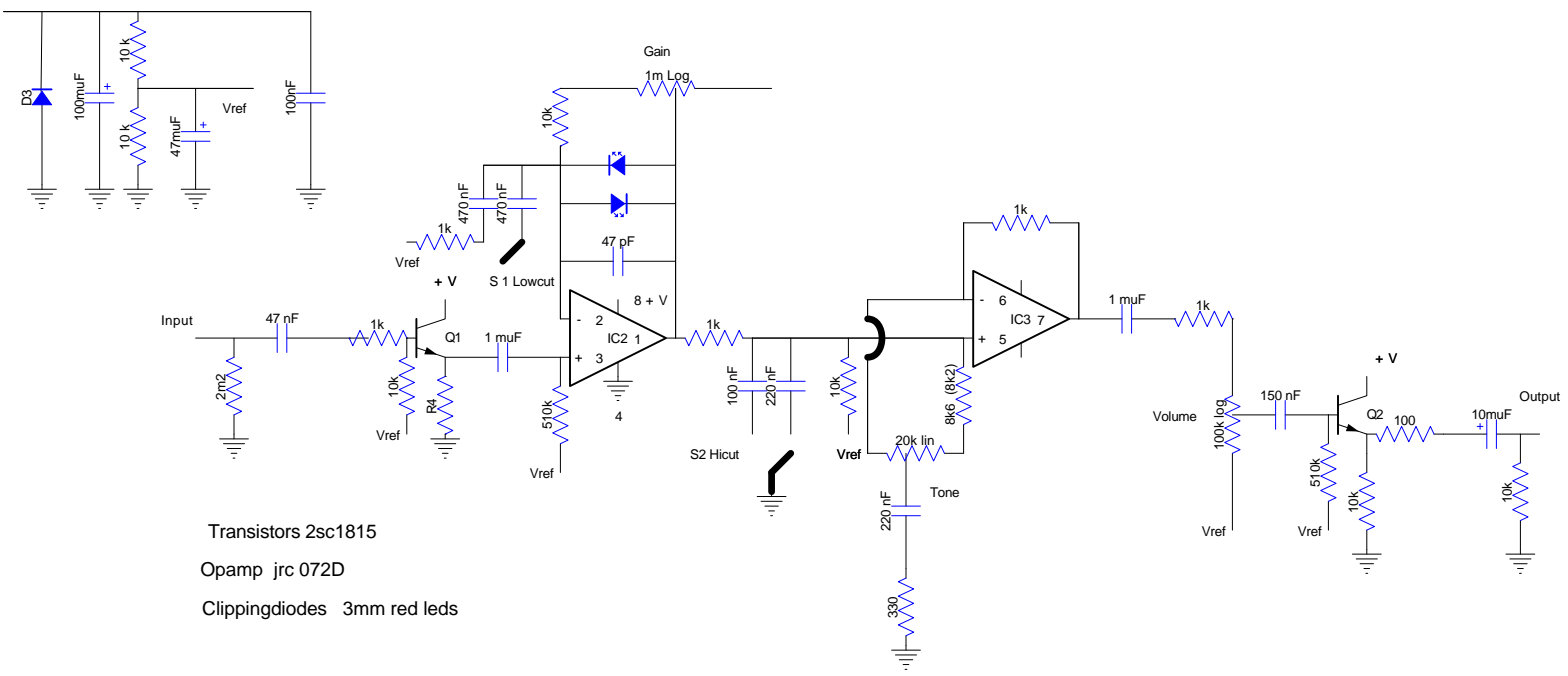


+ V



Transistors 2sc1815

Opamp jrc 072D

Clippingdiodes 3mm red leds