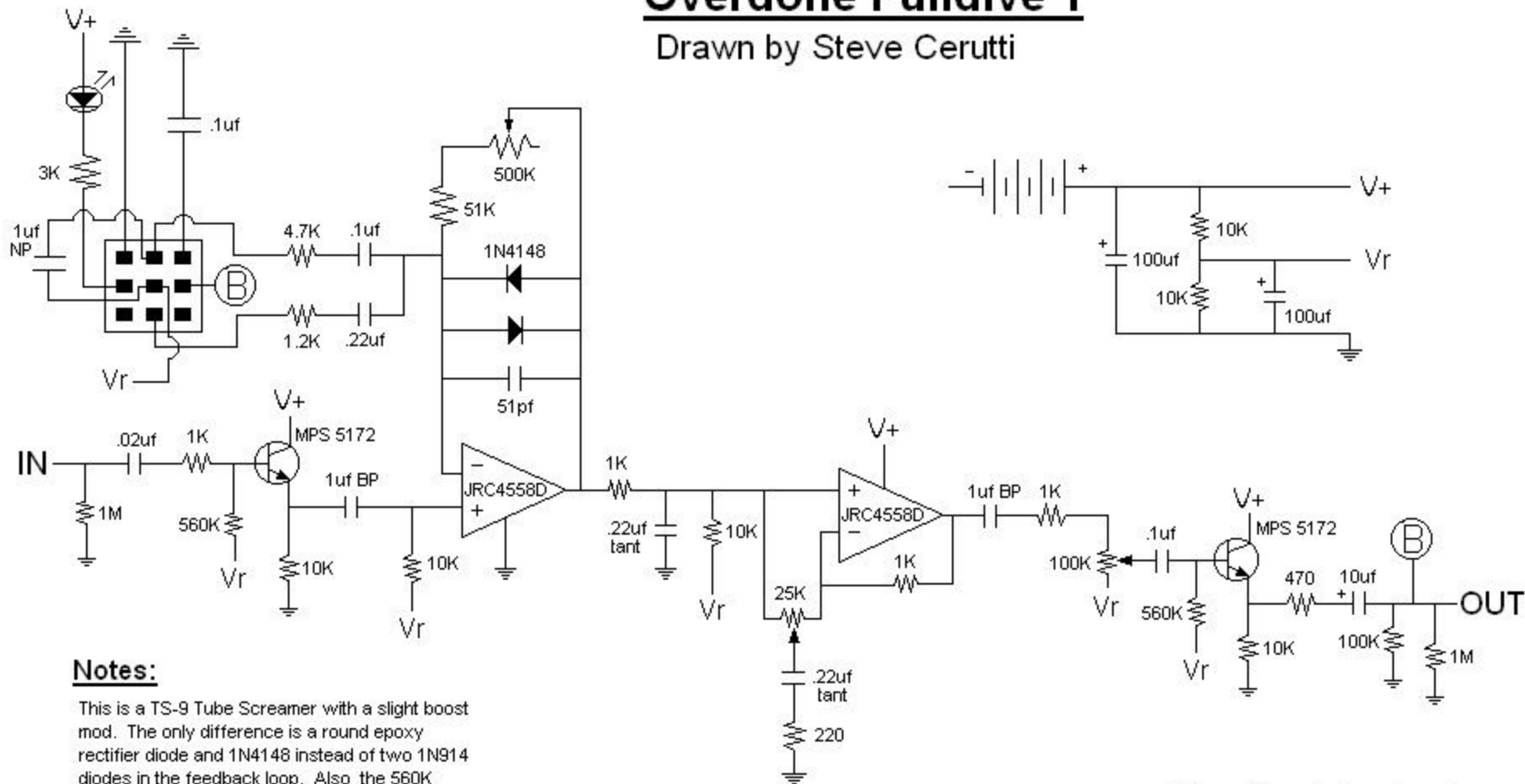


Overdone Fulldive 1

Drawn by Steve Cerutti



Notes:

This is a TS-9 Tube Screamer with a slight boost mod. The only difference is a round epoxy rectifier diode and 1N4148 instead of two 1N914 diodes in the feedback loop. Also the 560K resistors to Vr are 510K in the TS-9. The transistors are also different.

Ⓟ = A jumper between these two points.