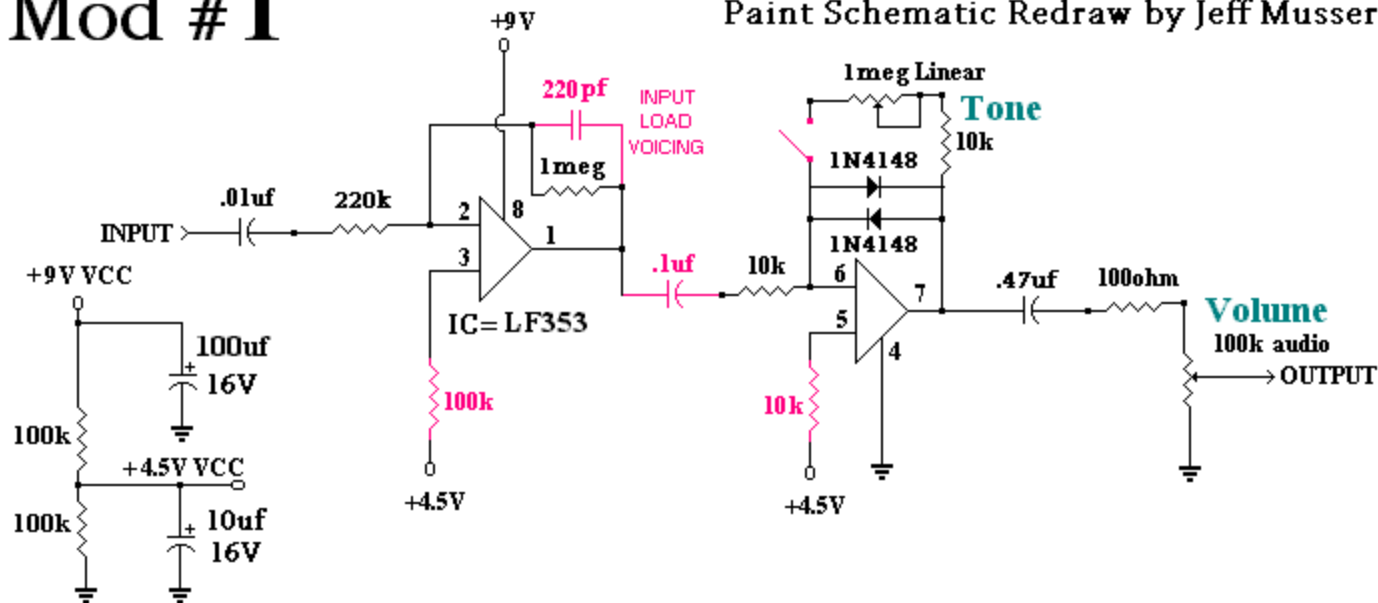


Gus's Muff Fuzz by Gus Smalley 3/5/99

Mod # 1

Paint Schematic Redraw by Jeff Musser



Notes: Preferred capacitors are polyester film, but maybe ceramic, except for electrolytics. If this project is built using higher voltages, the capacitor voltage rating will have to be raised accordingly. **Caution:** if working off the original hand drawn schematic, make note of it's date of introduction. The Muff Fuzz Mod # 2 was done in 11/30/99. All components drawn in red are optional. SPST switch shown by the gain pot, disconnects the feedback pot for a "Sick Mod".