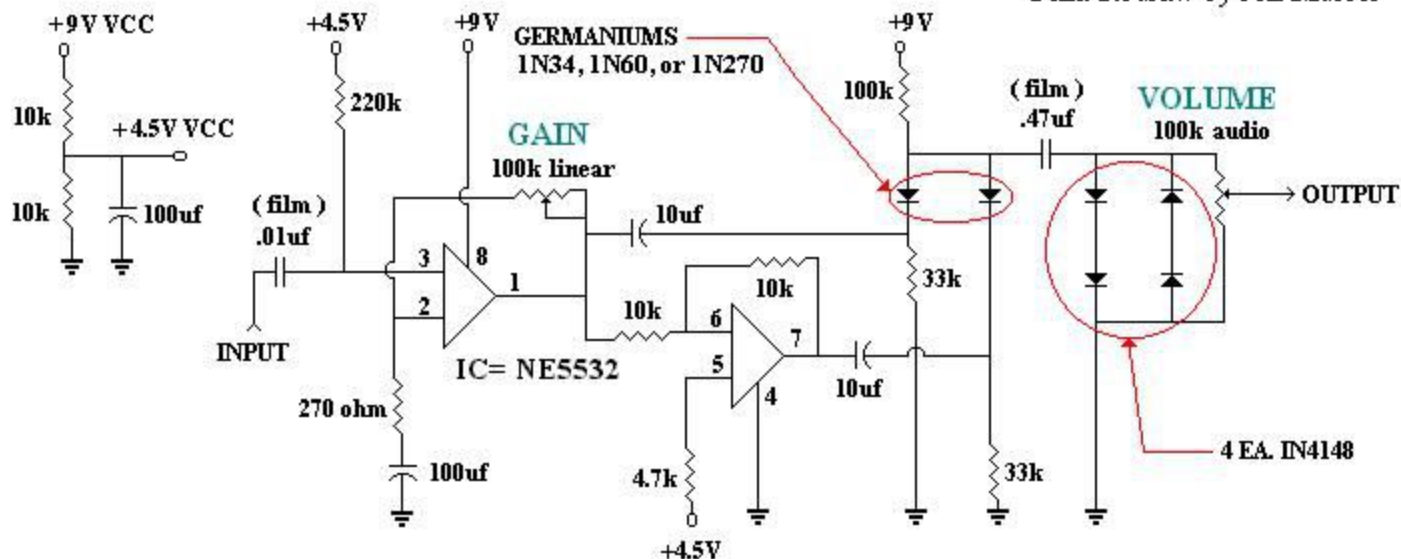


# OCTAVE UP SICK BOX

By Gus Smalley 12/13/99 (First Built in 1996)

Paint Redraw by Jeff Musser



**Note: Silicon Diodes may be used in place of Germaniums to change the sound  
Capacitors not designated "film" can be ceramic**