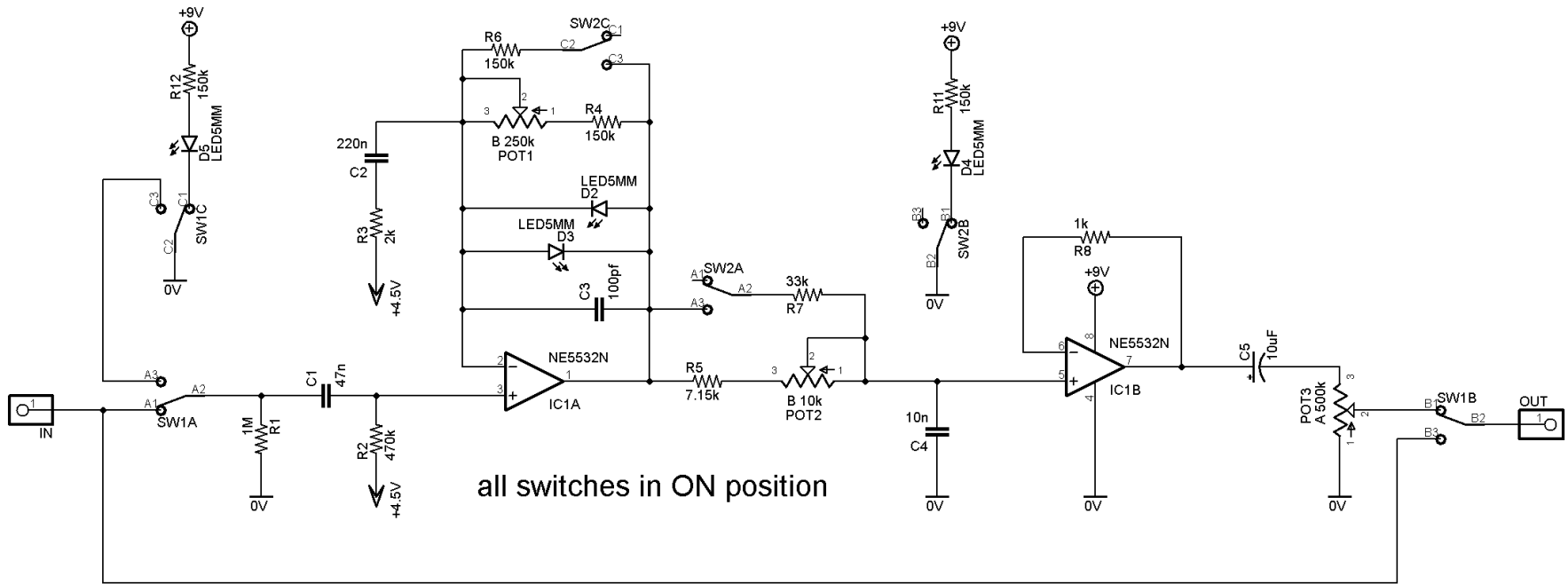
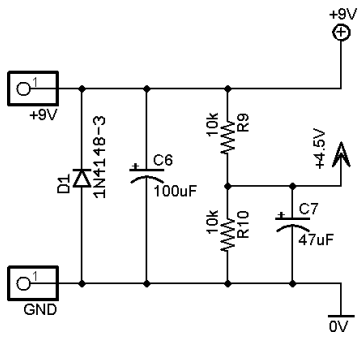


Dumbowl schematic rev 04/nov/2012  
for FREESTOMPBOXES.ORG by intripped



all switches in ON position