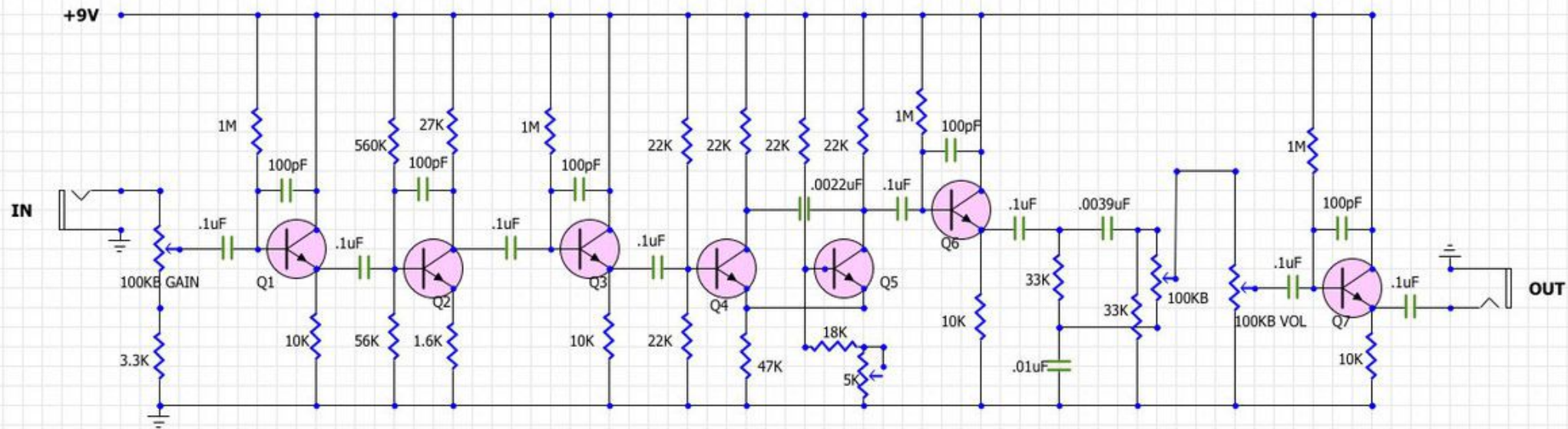


JEN GRETSCH PLAY BOY HARMON BOOSTER



Transistors: BC318C or CIP5172