

Notes:

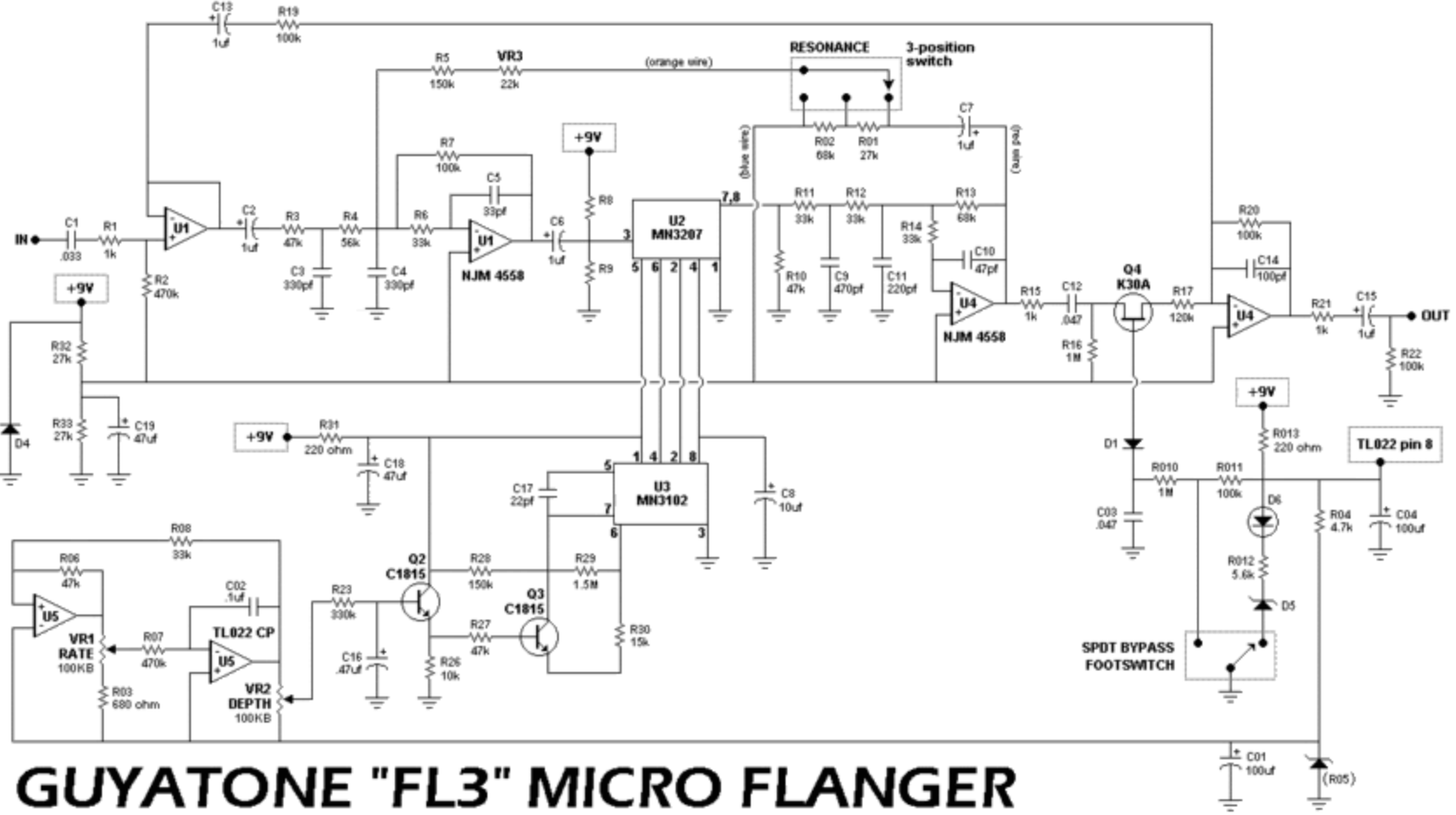
Even though this is a tiny pedal and a comparatively large effect circuit, it is made with through-hole components, meaning you can easily modify it to your heart's content. The enclosure (about the size of the Danelectro Minis) is made of sturdy metal, with a decent quality stompswitch. In such a tight space, you may have trouble adding in additional pots or switches, but if you don't mind a squeeze, it could probably be done.

There are two circuit boards inside the pedal. The larger board contains the signal path circuitry and some of the LFO circuitry. The smaller board contains the switching circuitry and the rest of the LFO, as well as the LED, pots, and resonance switch. The numerical designations I've shown in this schematic are printed on the boards, so you can easily locate desired components. Parts on the small board have a zero before the number. So for example, "R11" is on the large board, while "R011" is on the small board.

"VR3" is a fixed 22k resistor in the stock circuit, although the board is laid out to accept a trimpot instead.

"R05" is actually a zener diode in the stock circuit.

Drawn by Ken Daskiewicz Amy



GUYATONE "FL3" MICRO FLANGER