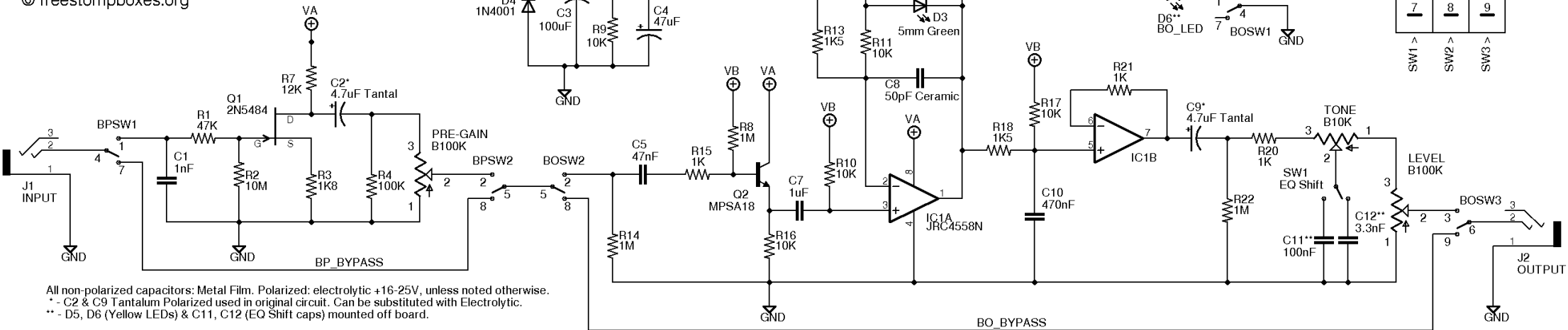


# HBE HEMATOMA

Original traced schematic by bubstance.

Modified by Daemons, 08/16/15.

© freestompboxes.org



Footswitch Pinout

1	2	3
4	5	6
7	8	9
SW1	SW2	SW3