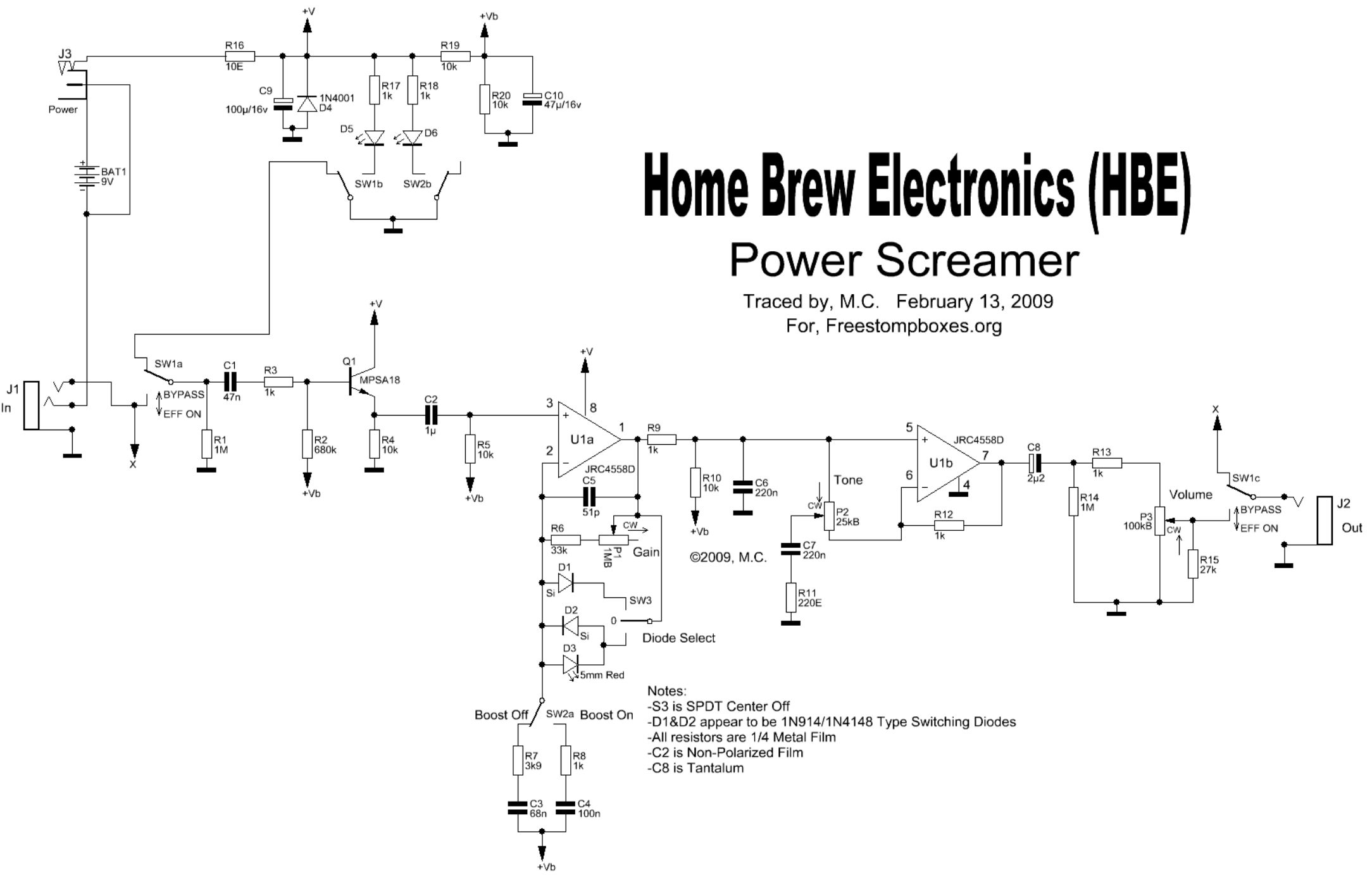


# Home Brew Electronics (HBE)

## Power Screamer

Traced by, M.C. February 13, 2009

For, Freestompboxes.org



©2009, M.C.

- Notes:
- S3 is SPDT Center Off
  - D1&D2 appear to be 1N914/1N4148 Type Switching Diodes
  - All resistors are 1/4 Metal Film
  - C2 is Non-Polarized Film
  - C8 is Tantalum