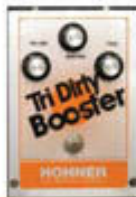


HOHNER TRI DIRTY BOOSTER

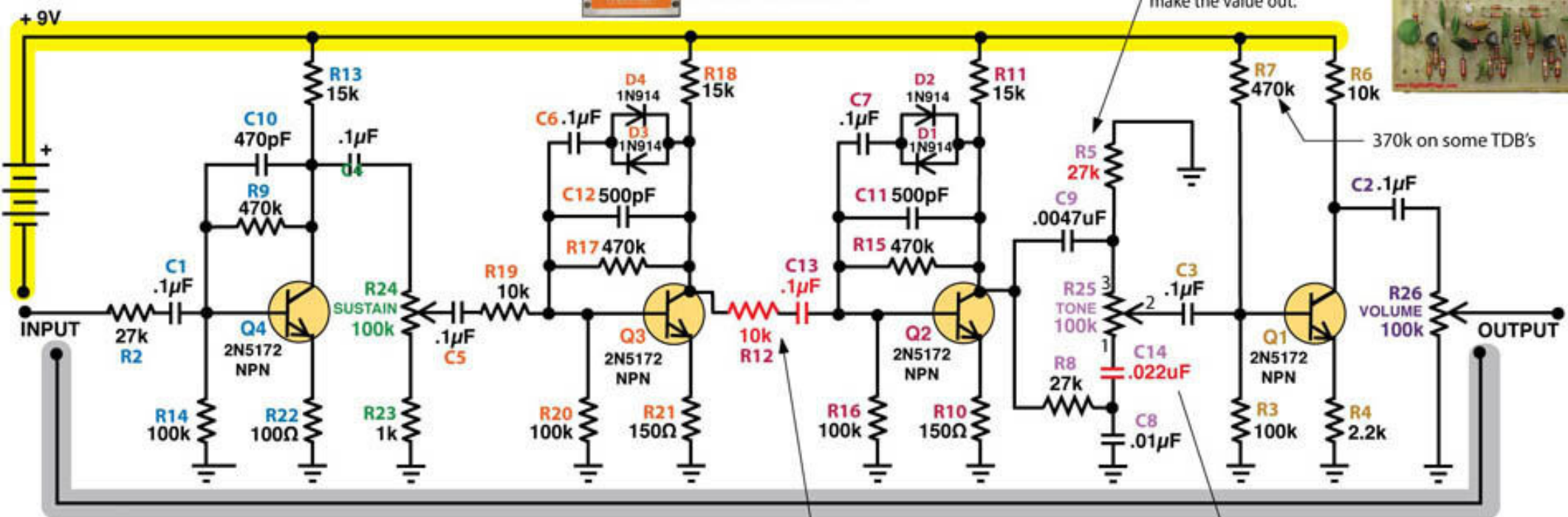
Big Muff Clone



Silicon transistors
 Silicon diodes 1N914 or equivalent
 Carbon composition and carbon film resistors.
 500pF, .022μF, .0047μF, and 470pF caps are film,
 all others are ceramic.



The high pass resistor appears to be a different value on other Hohners I have seen, but I can't make the value out.



SWAPPED FROM NORMAL BMP LAYOUT

ADDITIONAL CAP