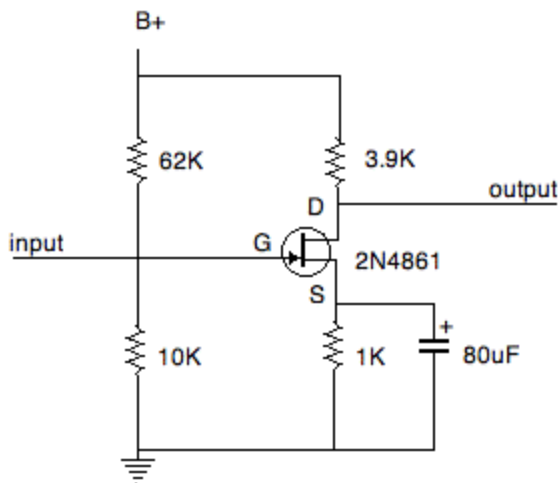


Hornby Skewes Treble Booster

Traced by AMMSCRAY



Notes:

No input cap so no high pass filter.
No output cap - DC will exist on output.

2N4861



N-Channel JFET