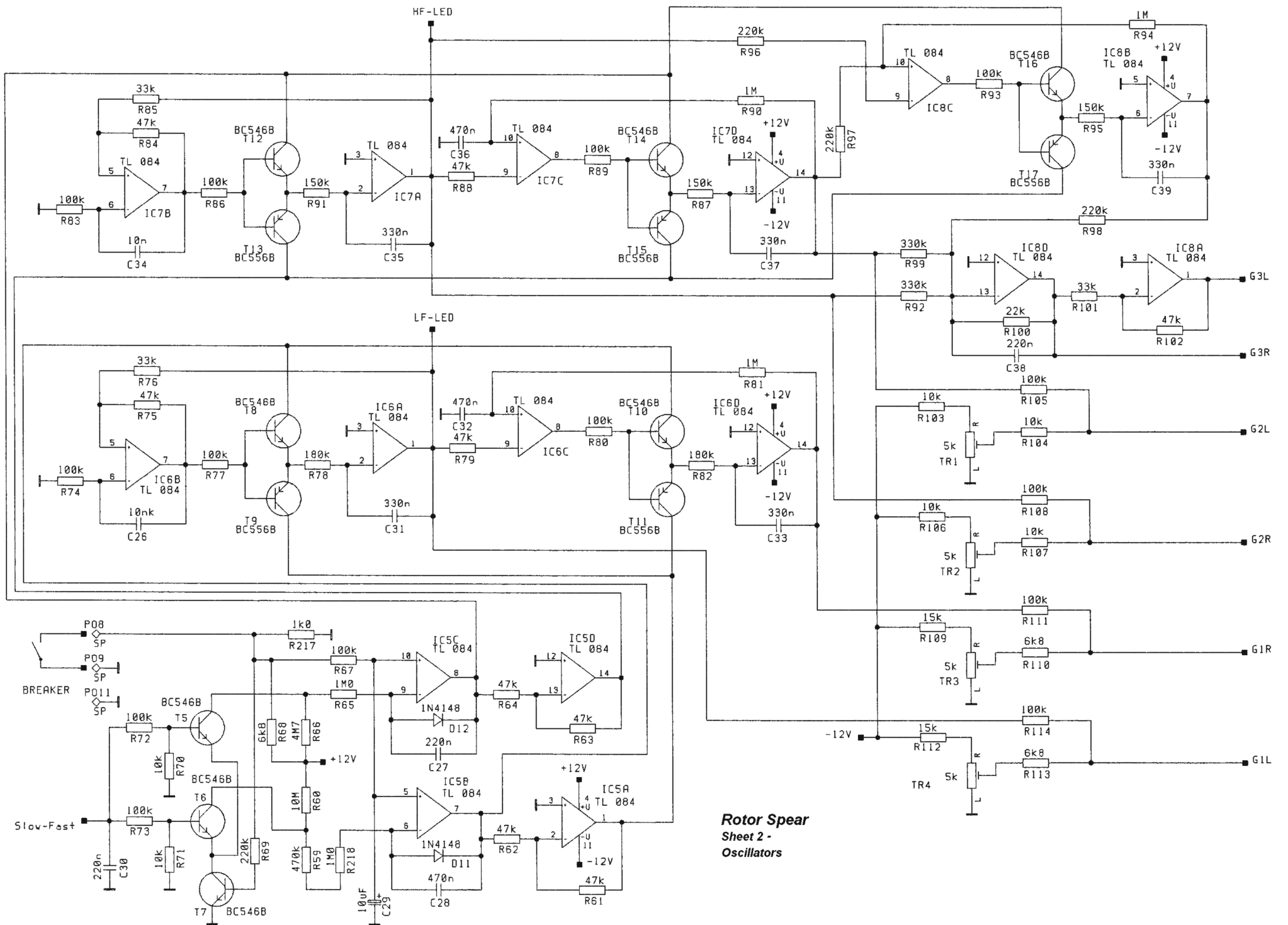
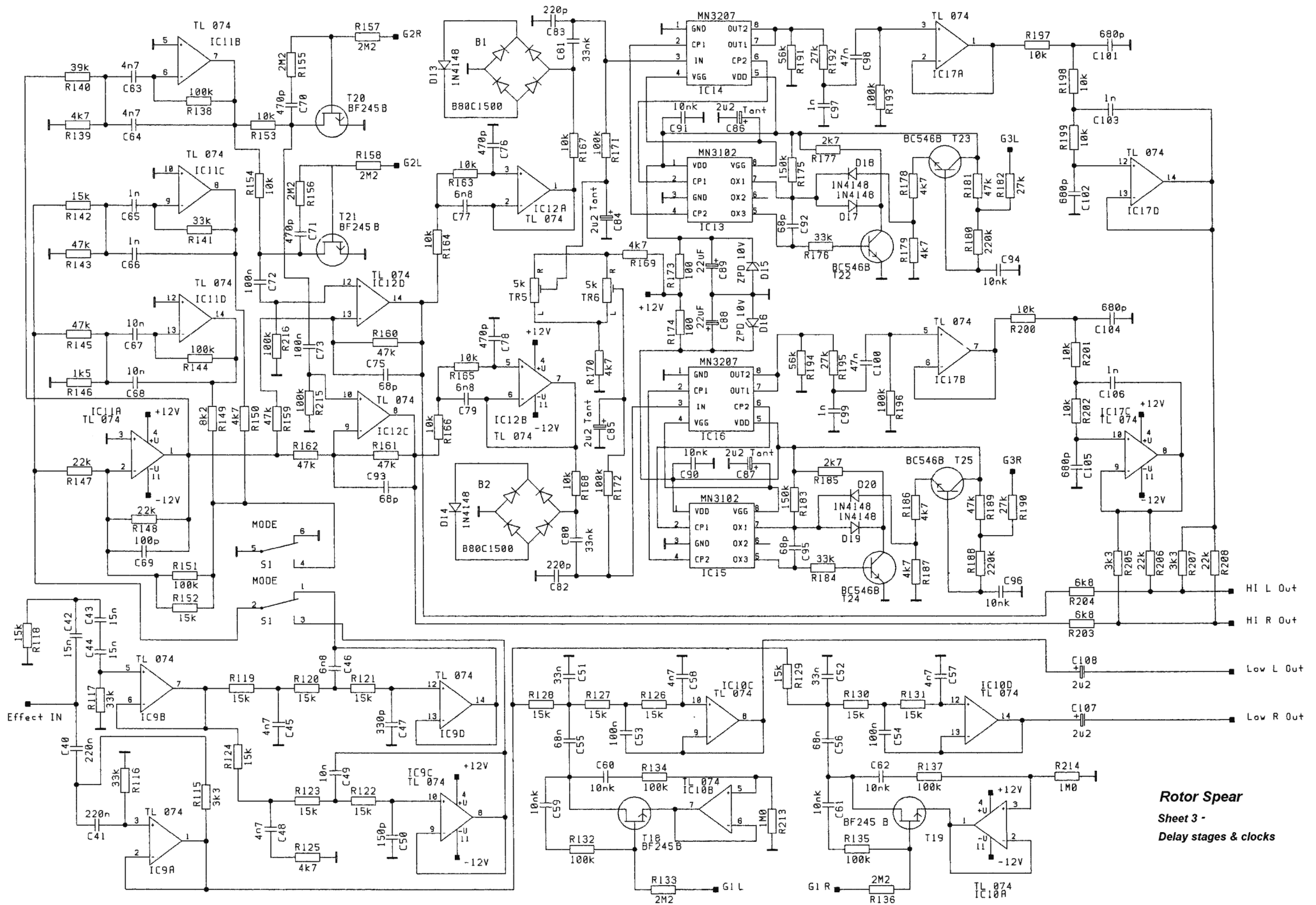


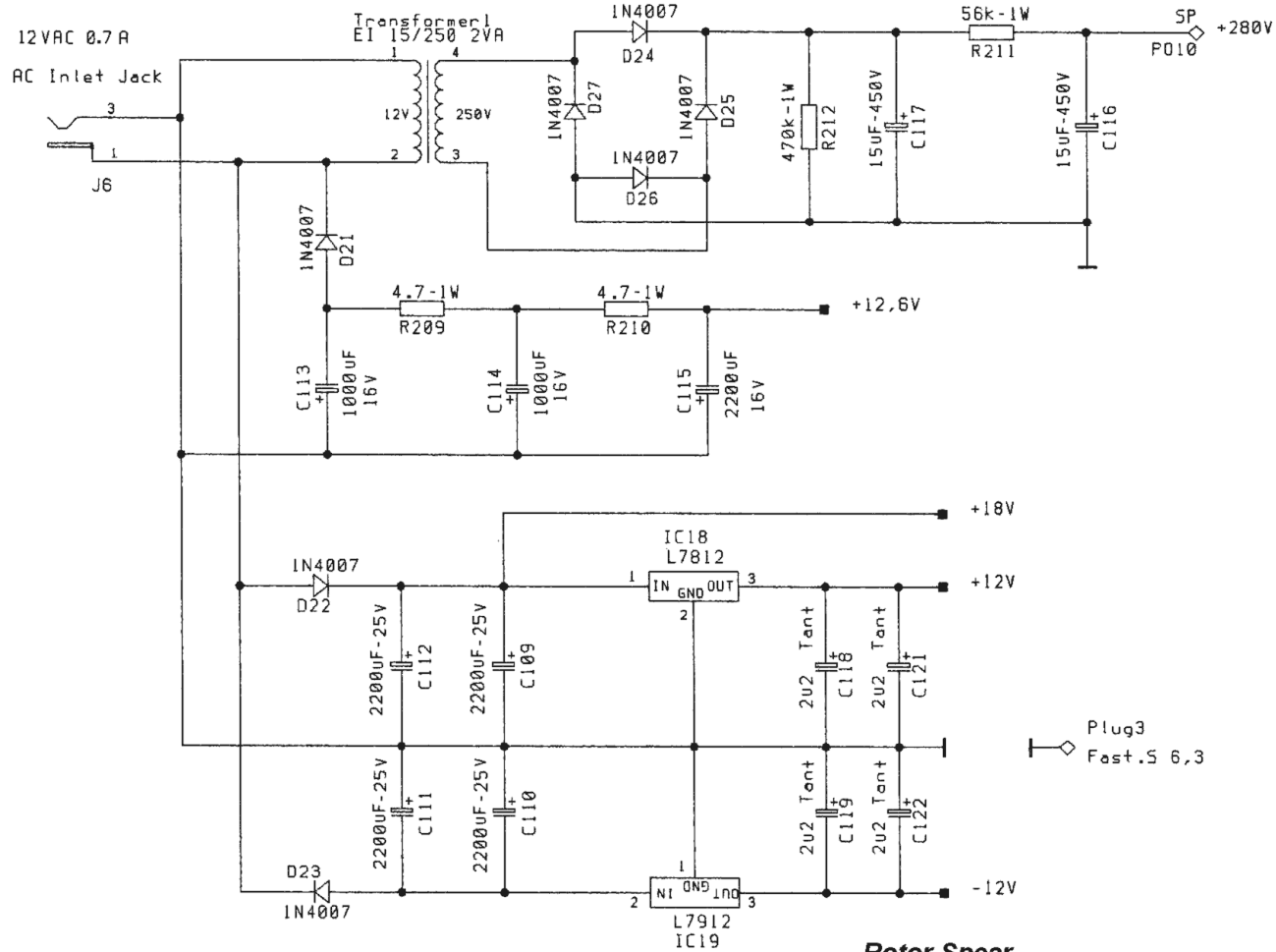
H&K Rotosphere

sheet 1
 inputs & outputs
 tube stages
 pre-amp stages





Rotor Spear
 Sheet 3 -
 Delay stages & clocks



Rotor Spear
Sheet 4 -
Power supply and Footswitching

