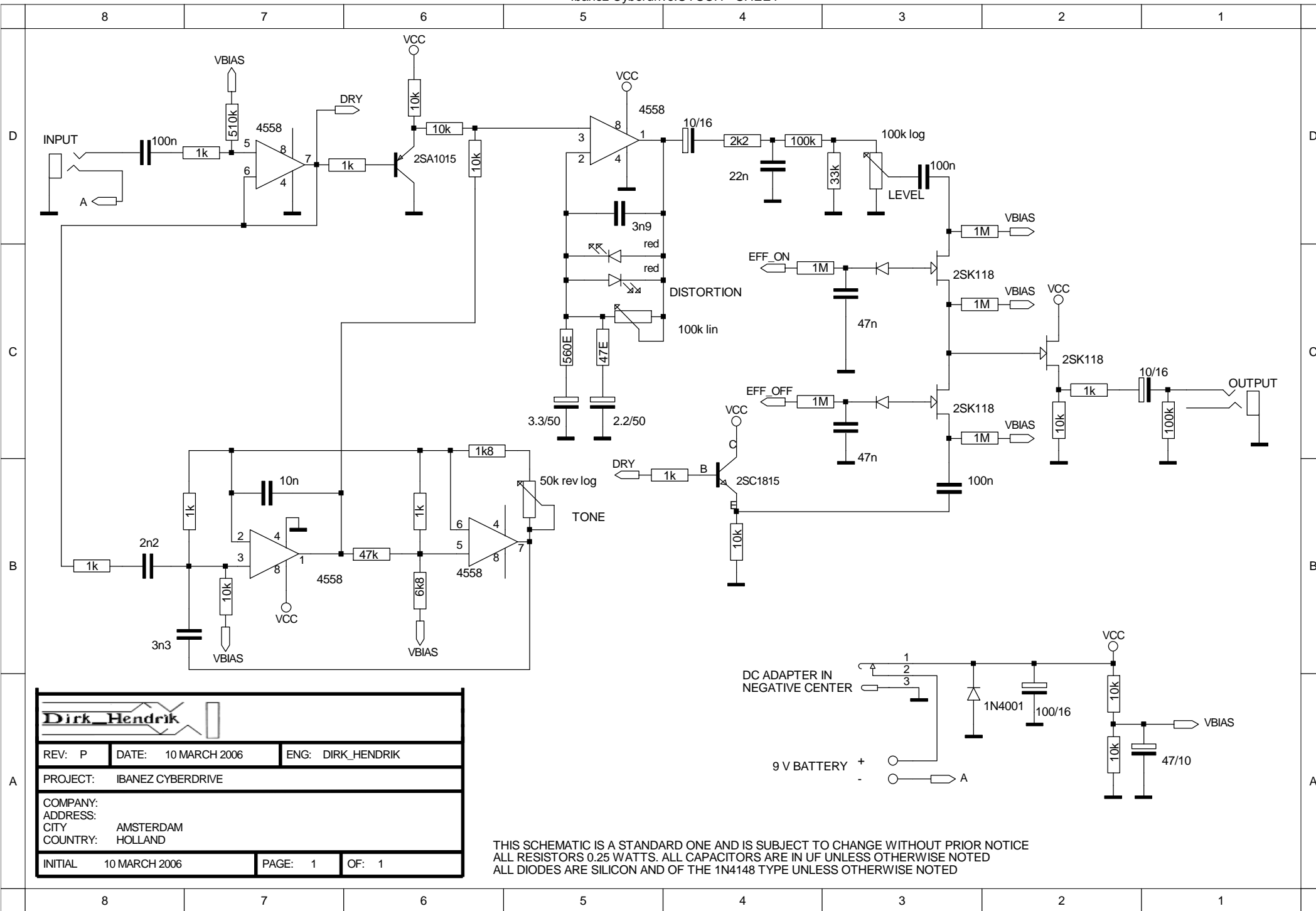


Ibanez Cyberdrive.UTSCH - SHEET



REV: P	DATE: 10 MARCH 2006	ENG: DIRK_HENDRIK
PROJECT: IBANEZ CYBERDRIVE		
COMPANY: ADDRESS: CITY: AMSTERDAM COUNTRY: HOLLAND		
INITIAL	10 MARCH 2006	PAGE: 1 OF: 1

THIS SCHEMATIC IS A STANDARD ONE AND IS SUBJECT TO CHANGE WITHOUT PRIOR NOTICE  
 ALL RESISTORS 0.25 WATTS. ALL CAPACITORS ARE IN UF UNLESS OTHERWISE NOTED  
 ALL DIODES ARE SILICON AND OF THE 1N4148 TYPE UNLESS OTHERWISE NOTED