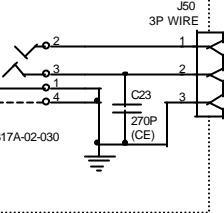
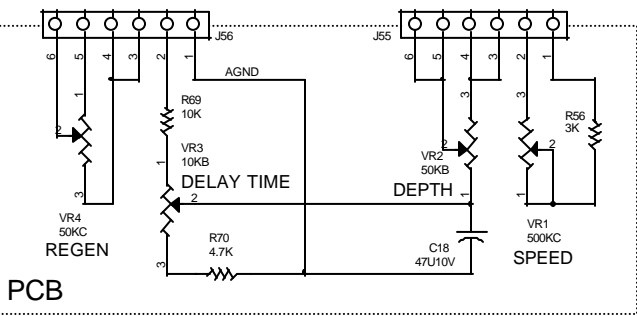


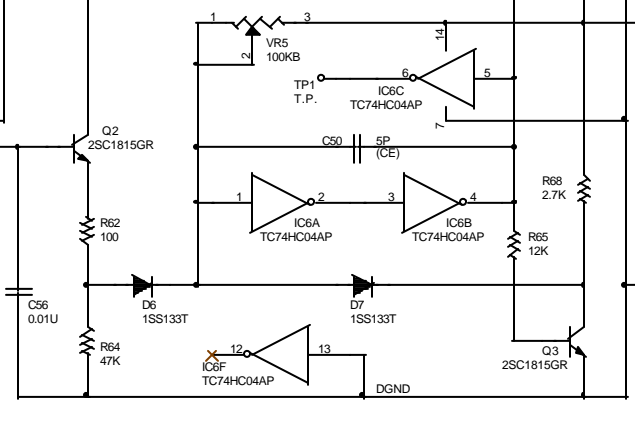
INPUT PCB



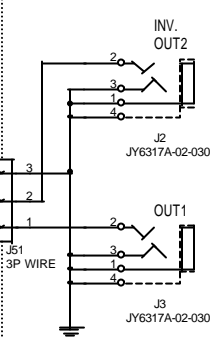
VR PCB



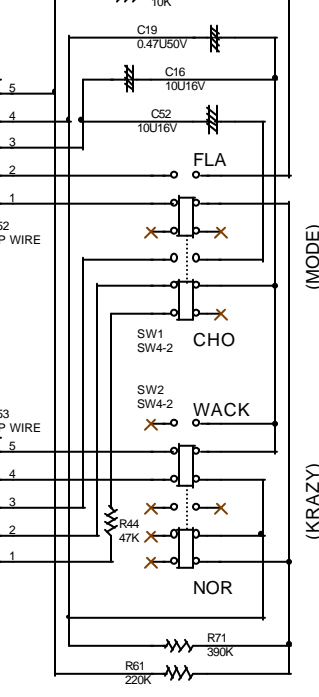
BOTTOM PCB



OUTPUT PCB



FUNCTION SW PCB



T : TANTALUM CAPS.
M : METALLIZED CAPS.
ML : MULTILAYER CERAMIC CAPS.

CF7 SCHEMATIC CF7