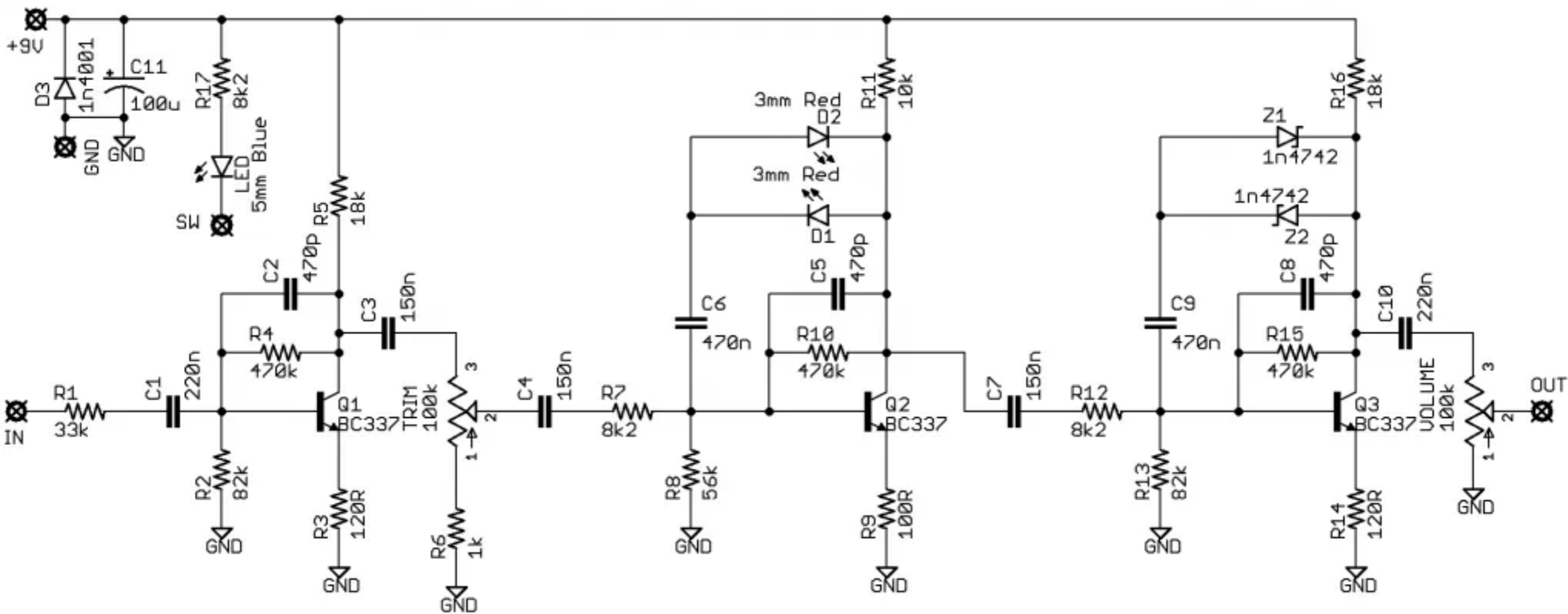


Haunting Mids V3

Traced 12-7-12
Drawing (C) 2012 Matt Molter



All resistors carbon comp, except R17 which is carbon film
 All capacitors Panasonic poly film, except C11 which is Xicon mini electrolytic
 LED is clear blue, with top sanded for diffusion
 Gain is a trimmer pot located on the board