

COMPRESSOR CMP-1

CONTENTS

1. SPECIFICATIONS	8
2. STRUCTURAL DIAGRAM	9
3. CIRCUIT DIAGRAM	10
4. BLOCK DIAGRAM	11
5. PC BOARD	11
6. ADJUSTMENT PROCEDURE	12
7. PARTS LIST	13

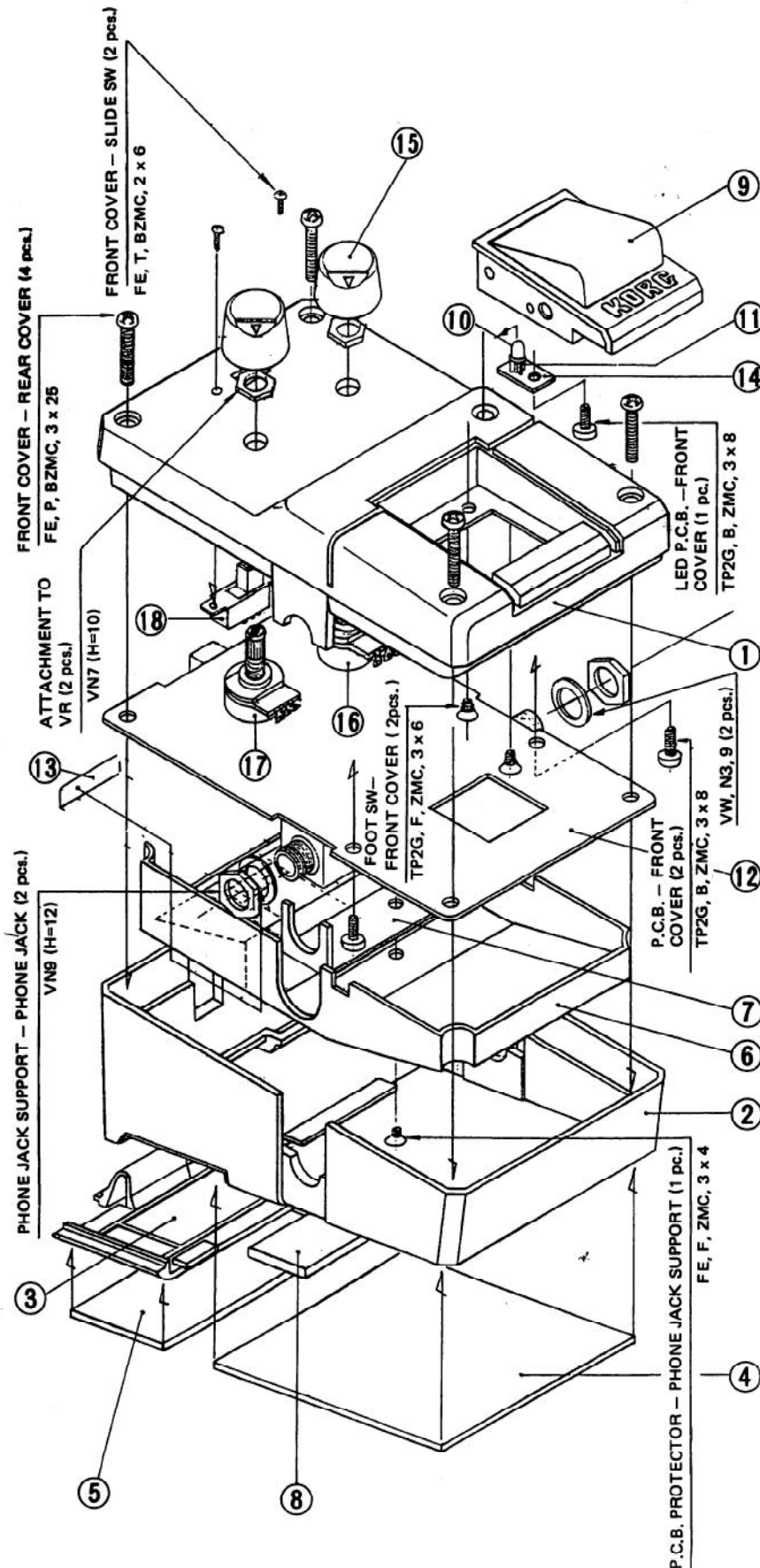
1. SPECIFICATIONS

- Input impedance 1M Ω
- Output impedance 10k Ω
- Maximum input level +3dBm (soft ATTACK, at 250Hz)
- Maximum output level -10dBm (at 250Hz)
- Maximum compression ratio 37dB (with maximum input)
- Operation characteristics INPUT (-40dBm ~ +3dBm)
OUTPUT (-16dBm ~ 10dBm)
- Frequency response 20Hz ~ 20kHz +0/-1.5dB
[EFFECT OFF]
[EFFECT ON] 50Hz ~ 10kHz + 0/-3dB
(with maximum input)
- Attack time 5msec. (soft attack), 8.3msec. (hard attack)
- Release time 1sec. (soft attack), 100msec. (hard attack)
- Noise level -90dBm (equivalent input noise, soft attack, sensitivity 10, input short-circuited, IHF-A)
- Operating voltage 10 ~ 7.5V
- Power consumption 7mA

- Pedal switch life Over 10,000 times of switching
- Functions SENSITIVITY, OUTLEVEL, ATTACK SW, EFFECT ON/OFF LED, FOOT SW, INPUT, and OUTPUT
- Power supply 006P 9V battery/DC jack
- Dimensions 70(W) x 63.5(H) x 129(D) mm
- Weight 450 g (including battery)

(All values are typical.)

2. STRUCTURAL DIAGRAM



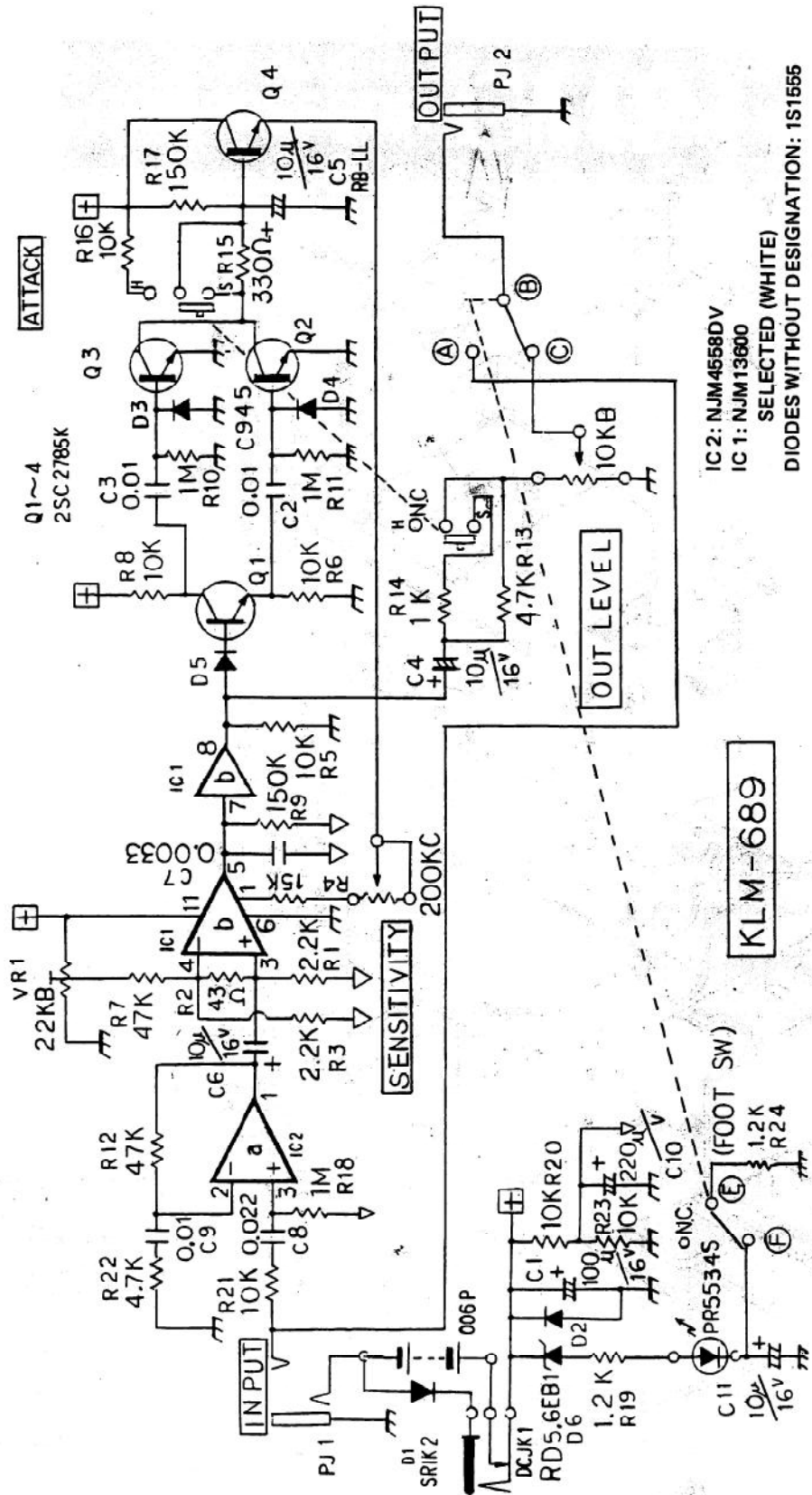
tching
LEVEL, AT-
N/OFF LED,
nd OUTPUT
) mm

PART No.	PART NAME	PART CODE
1	FRONT COVER	64703700
2	REAR COVER	64703100
3	BATTERY COVER	64703200
4	RUBBER STOPPER LARGE	50009300
5	RUBBER STOPPER SMALL	50009400
6	P.C.B. PROTECTOR	64607000
7	PHONE JACK SUPPORT	64030500
8	SPONGE	50003400
9	FOOT SW (KFS-2)	37507100
10	LED (PR-5534S)	31200700
11	LED HOLDER X-TYPE No. 4	57504000
12	P.C.B (KLM-689)	34068900
13	SERIAL NUMBER SEAL	
14	LED P.C.B (KLM-694)	34069400
15	EFFECTS KNOB LARGE	62014200
16	VR 200KC	36012300
17	VR 10KB	36012000
18	SLIDE SW	37301400

3. CIRCUIT DIAGRAM

KLM-689

MARKING DIAGRAM

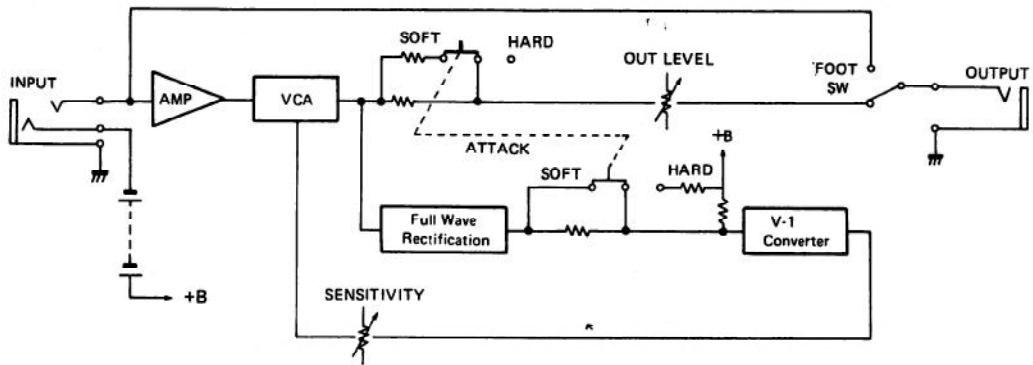


IC2: NJM4558DV
 IC1: NJM13600
 SELECTED (WHITE)
 DIODES WITHOUT DESIGNATION: 1S1555

KLM-689

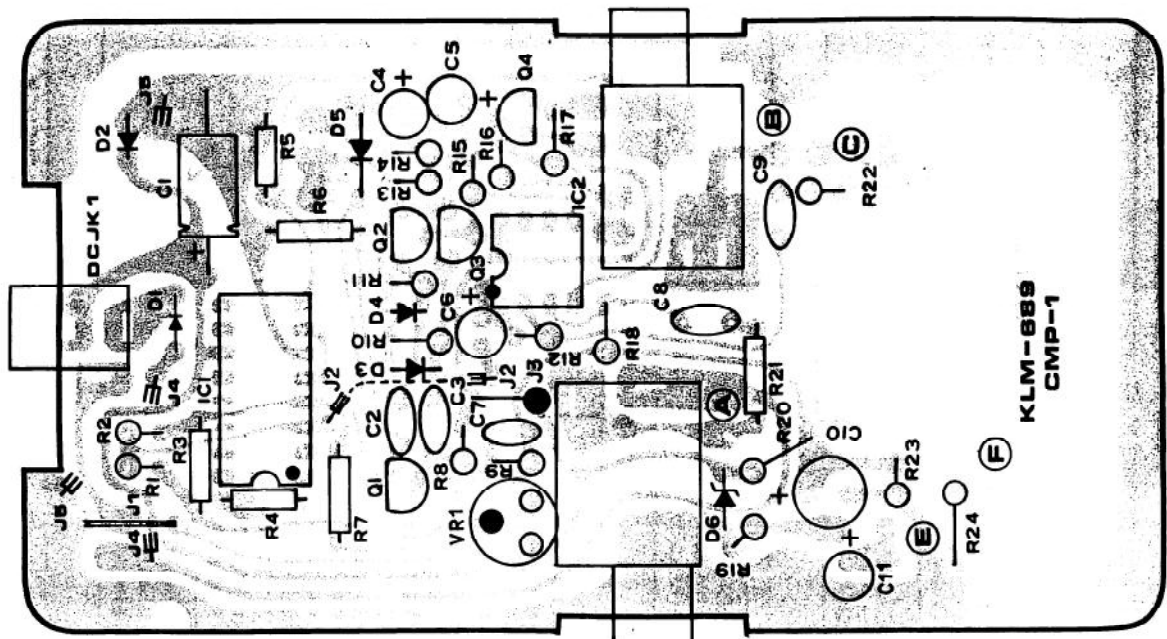
4. BLOCK DIAGRAM

KLM-689



5. P.C. BOARD

KLM-689



6. ADJUSTMENT PROCEDURE

1. OFFSET check and adjustment

- 1) Apply signal generator signal (1 kHz, sine wave, 3Vp-p) to CMP-1 input. Set ATTACK to SOFT, OUTPUT LEVEL to 10, SENSITIVITY to 10.
- 2) Observe output on oscilloscope.
- 3) Short input and confirm that DC voltage fluctuation is $0\text{ V} \pm 5\text{ mV}$ at the instant that the short occurs. Refer to Figure 3.
- 4) Adjust VR1 if necessary.

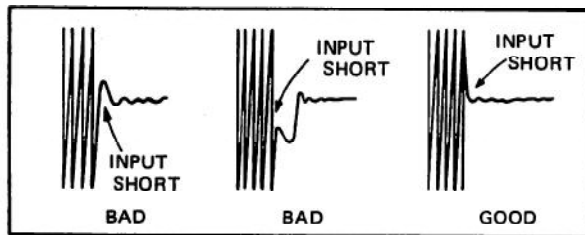


Fig-3

7. PARTS LIST

PARTS CODE	PARTS NAME SPECIFICATIONS	P.C. BOARD	IDENTIFICATION NO. FUNCTION	QTY
CARBON RESISTORS				
10013422	S1/AJY 2.2K	KLM-689		1
10013510	S1/AJY 10K			3
10013515	S1/AJY 15K			1
10013547	S1/AJY 47K			1
10113243	S1/AJT 43Ω			1
10113333	S1/AJT 330Ω			1
10113410	S1/AJT 1K			1
10113412	S1/AJT 1.2K			2
10113422	S1/AJT 2.2K			1
10113447	S1/AJT 4.7K			2
10113510	S1/AJT 10K			4
10113547	S1/AJT 47K			1
10113615	S1/AJT 150K			2
10113710	S1/AJT 1M			3
MYLAR CAPACITORS				
20023433	50V 0.0033μF	KLM-689		1
20023510	50V 0.01μF			3
20023522	50V 0.022μF			1
ELECTROLYTIC CAPACITORS				
23007210	A16V 10μF	KLM-689		3
23007322	A16V 220μF			1
23107310	B16V 100μF			1
23307210	A16V 10μF			1
TRANSISTOR				
30202211	2SC2785 K	KLM-689		4
DIODES				
31000100	1S1555	KLM-689		4
31001500	SR1K-2			1
ZENER DIODE				
31101600	RD 5.6E81	KLM-689		1
LED				
31200700	PR-5534S			1
ICs				
32009001	NJM-4558D-V	KLM-689		1
32009017	NJM-13600D-A			1
P.C. BOARD WITH PARTS				
34068900	KLM-689	KLM-689		1
34069400	KLM-694			1
SEMI FIXED VR				
35201322	H1051A 22KB	KLM-689		1
VRs				
36012000	K161100T6E 10KB VM10A-C29E			1
36012300	K161100T6E 200KC VM10A-C29			1
SLIDE SW				
37301400	SS-003			1
FOOT SW				
37507100	KFS-2			1
PHONE JACKS				
45000600	S-G 7622 #06	KLM-689		1
45001100	S-G 7713 #04			1
POWER JACK				
45400300	HEC-0470-01-230	KLM-689		1
SPONGE				
50003400	4x20x40			1
RUBBER STOPPERS				
50009300	No. 1 LARGE			1
50009400	No. 2 SMALL			1