

DISTORTION DST-1

CONTENTS

1. SPECIFICATIONS	15
2. STRUCTURAL DIAGRAM	16
3. CIRCUIT DIAGRAM	17
4. BLOCK DIAGRAM	18
5. PC BOARD	18
6. PARTS LIST	19

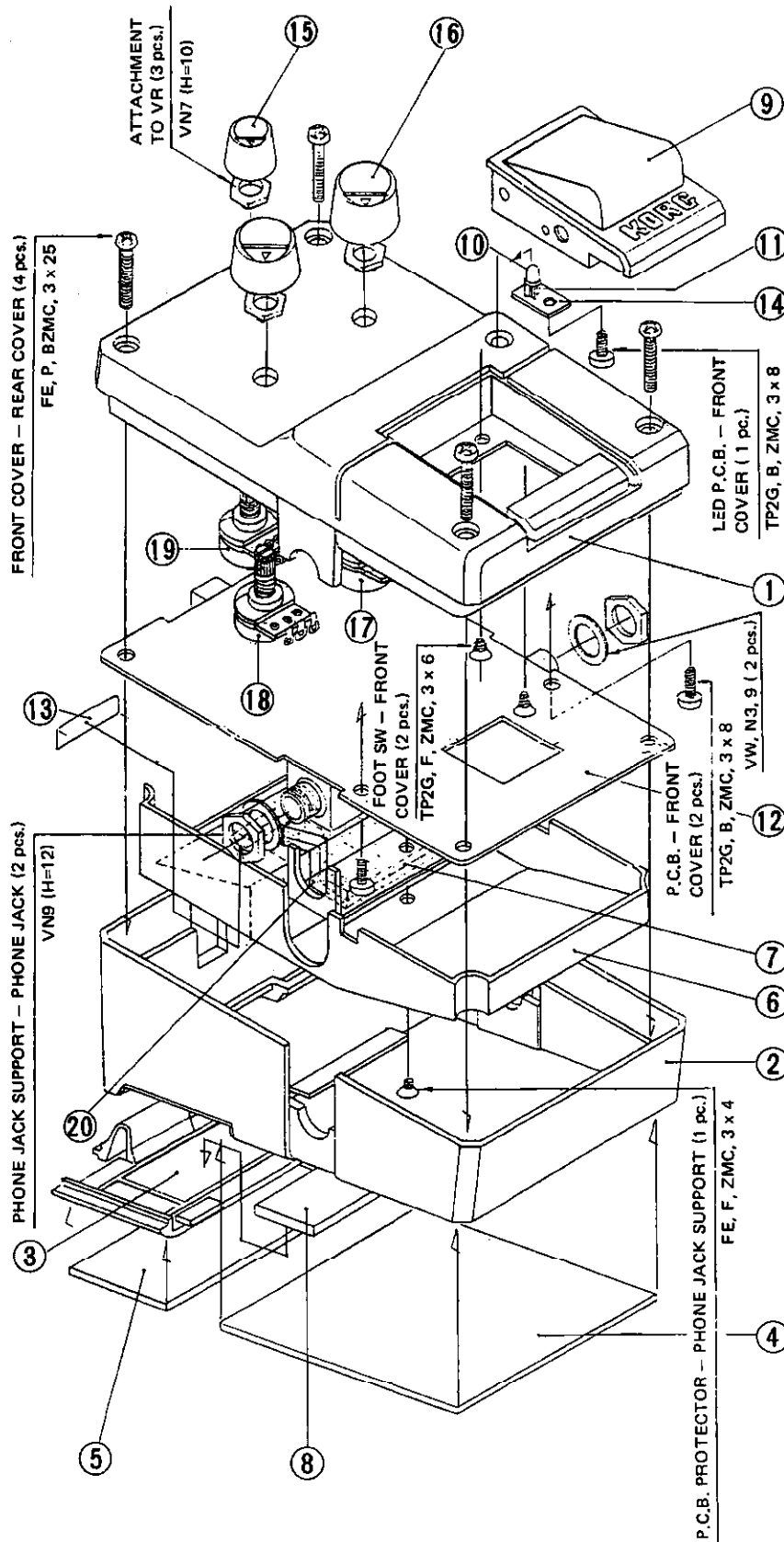
1. SPECIFICATIONS

- Input impedance 1M Ω
- Output impedance 10k Ω
- Maximum output 1V peak to peak level
- TONE -14dB ~ +0dB (at 1kHz)
- Maximum gain 36dB
- Frequency response 20Hz ~ 20kHz
+0/-1.5dB
[EFFECT OFF]
- Noise level -106dBm (TONE 10, DISTORTION 10, equivalent input noise, input short-circuited, IHF-A)
- Operating voltage 10 ~ 7.5V
- Power consumption 3.5mA
- Pedal switch life Over 10,000 times of switching
- Functions DISTORTION, TONE, OUT LEVEL, EFFECT ON/OFF LED, FOOT SW, INPUT, OUTPUT
- Power supply 006P 9V battery/DC jack
- Dimensions 70(W) x 67(H) x 129(D) mm
- Weight 450 g (including battery)

(All values are typical.)

72130306 72530308	TP2G F ZMC 3x6 TP2G B ZMC 3x8	NUT	VN N-3.9 77310900
3			2

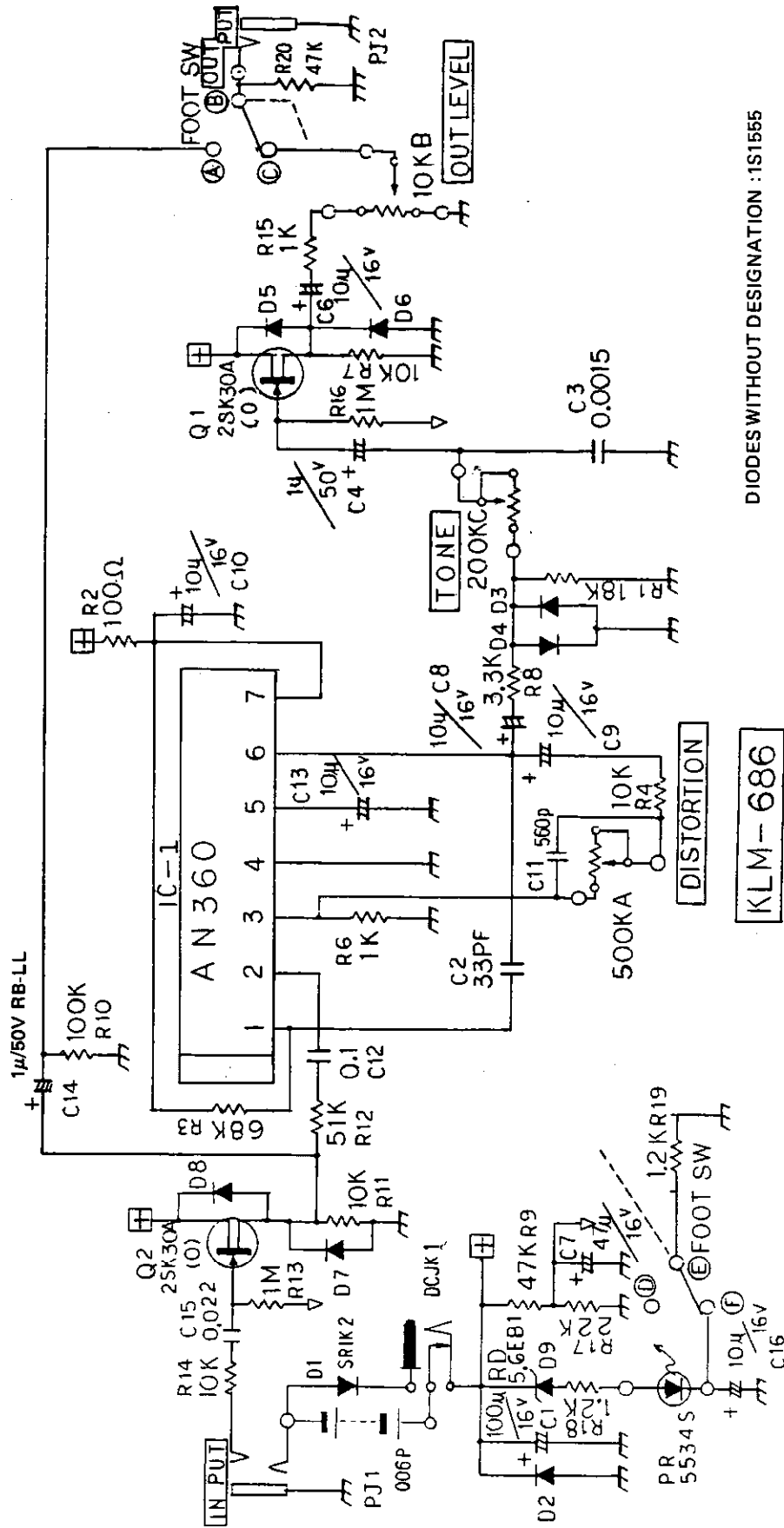
2. STRUCTURAL DIAGRAM



PART NO.	PART NAME	PART CODE
1	FRONT COVER	64704200
2	REAR COVER	64703100
3	BATTERY COVER	64703200
4	RUBBER STOPPER LARGE	50009300
5	RUBBER STOPPER SMALL	50009400
6	P.C.B. PROTECTOR	64607000
7	PHONE JACK SUPPORT	64030500
8	SPONGE	50003400
9	FOOT SW (KFS-2)	37507100
10	LED (PR-5534S)	31200700
11	LED HOLDER X-TYPE No. 4	57504000
12	P.C.B (KLM-686)	34068500
13	SERIAL NUMBER SEAL	
14	LED P.C.B (KLM-694)	34069400
15	EFFECTS KNOB SMALL	62014300
16	EFFECTS KNOB LARGE	62014200
17	VR 500KA	36011700
18	VR 10KB	36012000
19	VR 200KC	36012300
20	BATTERY CUSHION	50004400

3. CIRCUIT DIAGRAM

KLM-686



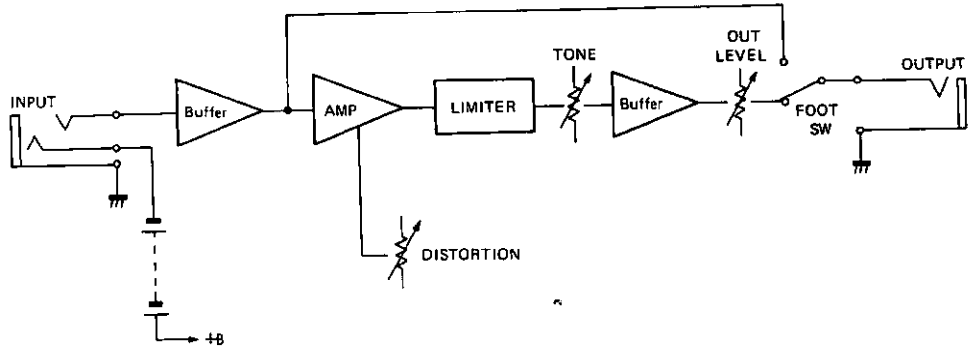
DIODES WITHOUT DESIGNATION : 1S1555

KLM-686

PART CODE
64704200
64703100
64703200
50006300
50006400
64807000
64030500
50003400
37507100
31200700
57504000
34068600
34069400
62014300
62014200
36011700
36012000
36012300
50004400

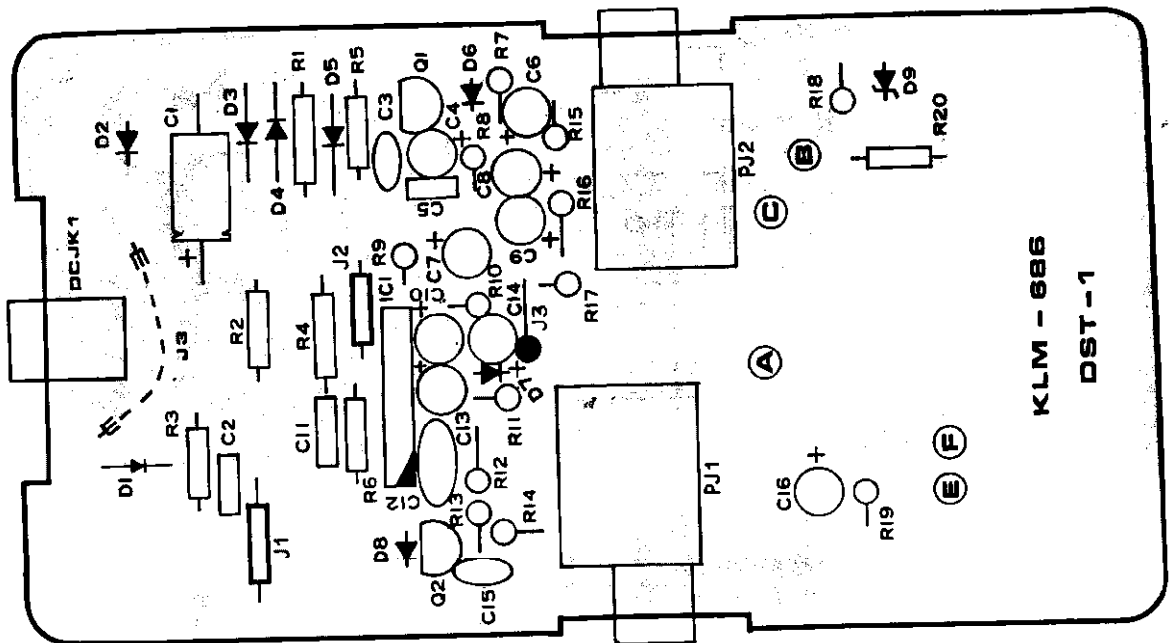
4. BLOCK DIAGRAM

KLM-686



5. P.C. BOARD

KLM-686



6. PARTS LIST

PARTS CODE	PARTS NAME SPECIFICATIONS	P.C. BOARD	IDENTIFICATION NO. FUNCTION	QTY
CARBON RESISTORS				
10009000	Y 0 Ω	KLM-686		3
10013310	S1/4JY 100 Ω			1
10013410	S1/4JY 1K			1
10013510	S1/4JY 10K			1
10013518	S1/4JY 18K			1
10013547	S1/4JY 47K			1
10013568	S1/4JY 68K			1
10113410	S1/4JT 1K			1
10113412	S1/4JT 1.2K			2
10113433	S1/4JT 3.3K			1
10113510	S1/4JT 10K			3
10113522	S1/4JT 22K			1
10113547	S1/4JT 47K			1
10113551	S1/4JT 51K			1
10113610	S1/4JT 100K			1
10113710	S1/4JT 1M			2
MYLAR CAPACITORS				
20023415	50V 0.0015μF	KLM-686		1
20023522	50V 0.022μF			1
20023610	50V 0.1μF			1
CERAMIC CAPACITORS				
21012233	50V 33PF	KLM-686		1
21012356	50V 560PF			1
ELECTROLYTIC CAPACITORS				
23007210	A16V 10μF	KLM-686		6
23007247	A16V 47μF			1
23107310	B16V 100μF			1
23215110	A50V 1μF			1
23315110	A50V 1μF			1
FET				
30600115	2SK 30A TM-O	KLM-686		2
DIODES				
31000100	1S1555	KLM-686		7
31001500	SR1K-2			1
ZENER DIODE				
31101600	RD 5.6EB1	KLM-686		1
LED				
31200700	PR-5534S			1
IC				
32002012	AN-360	KLM-686		1
P.C. BOARD WITH PARTS				
34068600	KLM-686	KLM-686		1
34069400	KLM-694			1
VRS				
36011700	K161100T6E 500KA			1
36012000	K161100T6E 10KB VM10A-C29E			1
36012300	K161100T6E 200KC VM10A-C29			1
FOOT SW				
37507100	KFS-2			1
PHONE JACKS				
45000600	S-G 7622 #06	KLM-686		1
45001100	S-G 7713 #04			1
POWER JACK				
45400300	HEC-0470-01-230	KLM-686		1
SPONGE				
50003400	4x20x40			1
BATTERY CUSHIONS				
50004400	KOC-F40218			1
50005300				2

PARTS CODE	PARTS NAME SPECIFICATIONS	P.C. BOARD	IDENTIFICATION NO. FUNCTION	Q'TY
RUBBER STOPPERS				
50009300	No. 1 LARGE			1
50009400	No. 2 SMALL			1
BATTERY				
52000400	006PUE 9V			1
BATTERY SNAP				
54005100	I-TYPE 80MM			1
LED HOLDER				
57504000	X-TYPE No.4 5.8MM			1
EFFECTS KNOBS				
62014200	LARGE			2
62014300	SMALL			1
PHONE JACK SUPPORT				
64030500				1
P.C.B PROTECTOR				
64607000				1
REAR COVER				
64703100				1
BATTERY COVER				
64703200				1
FRONT COVER				
64704200				1

PARTS CODE	PARTS NAME SPECIFICATIONS	P.C. BOARD	IDENTIFICATION NO. FUNCTION	Q'TY
SCREWS				
70060323	FE P BZMC 3x23			4
70130304	FE F ZMC 3x4			1
72130306	TP2G F ZMC 3x6			2
72530308	TP2G B ZMC 3x8			3
NUT				
77310900	VN N-3 9			2
PHONE JACK WASHER				
79040914	N-3 9x14x0.			2