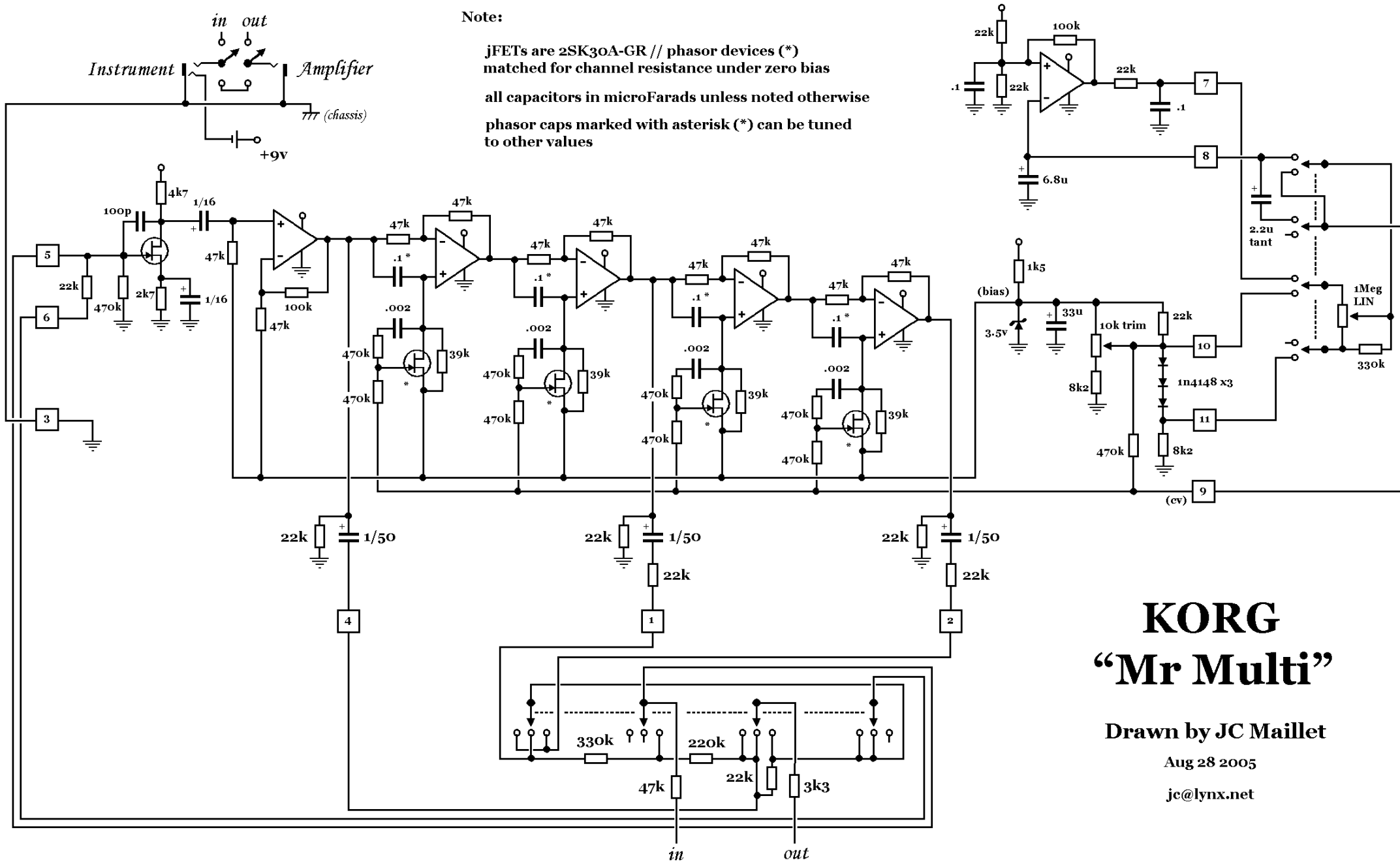


**Note:**

jFETs are 2SK30A-GR // phasor devices (\*)  
matched for channel resistance under zero bias  
all capacitors in microFarads unless noted otherwise  
phasor caps marked with asterisk (\*) can be tuned  
to other values



# KORG "Mr Multi"

Drawn by JC Maillet

Aug 28 2005

jc@lynx.net