

# OVER DRIVE OVD-1

## CONTENTS

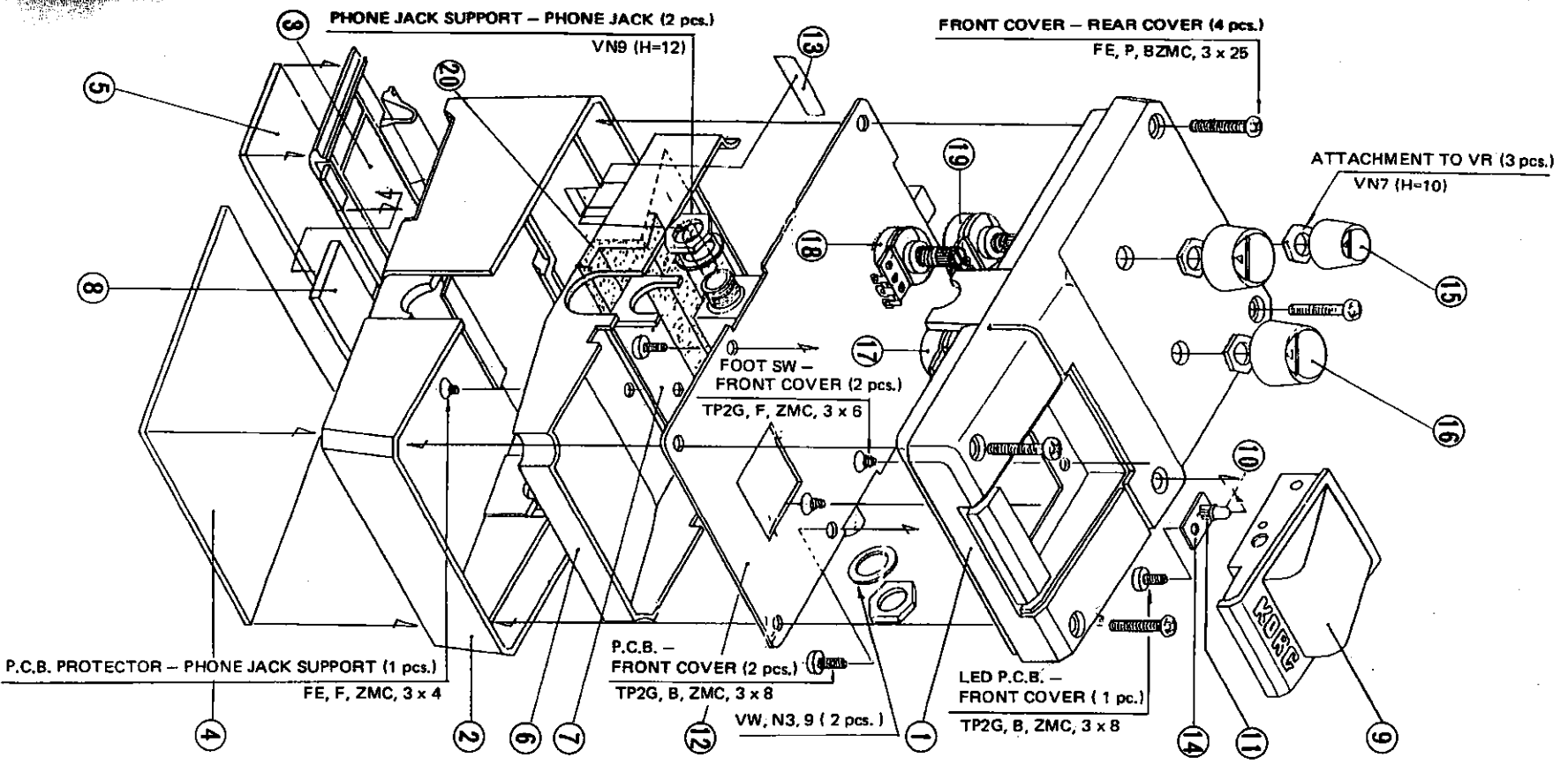
1. SPECIFICATIONS .....	54
2. STRUCTURAL DIAGRAM .....	55
3. CIRCUIT DIAGRAM .....	56
4. BLOCK DIAGRAM .....	57
5. PC BOARD .....	57
6. PARTS LIST .....	58

## 1. SPECIFICATIONS

- Input impedance 1M $\Omega$
- Output impedance 10k $\Omega$
- Maximum output level 2.5V<sub>p-p</sub> (at 250Hz)
- TONE  $\pm$ 4dB (DRIVE 10, at 1.4kHz)
- Maximum gain 32dB (at 1kHz)
- Frequency response 20Hz ~ 20kHz  
+0/-1.5dB [EFFECT OFF]
- Noise level -110dBm (TONE 10, DRIVE 10, equivalent input noise, input short-circuited, IHF-A)
- Operating voltage 10 ~ 7.5V
- Power consumption 6.8mA
- Pedal switch life Over 10,000 times of switching
- Functions DRIVE, TONE, OUTPUT LEVEL, EFFECT ON/OFF, LED, FOOT LOCK, INPUT, OUTPUT
- Power supply 006P 9V battery, 10<sub>0</sub> p.p.t
- Dimensions 70(W) x 67(H) x 1.7(D) cm
- Weight 450 g (including battery)

(All values are typical.)

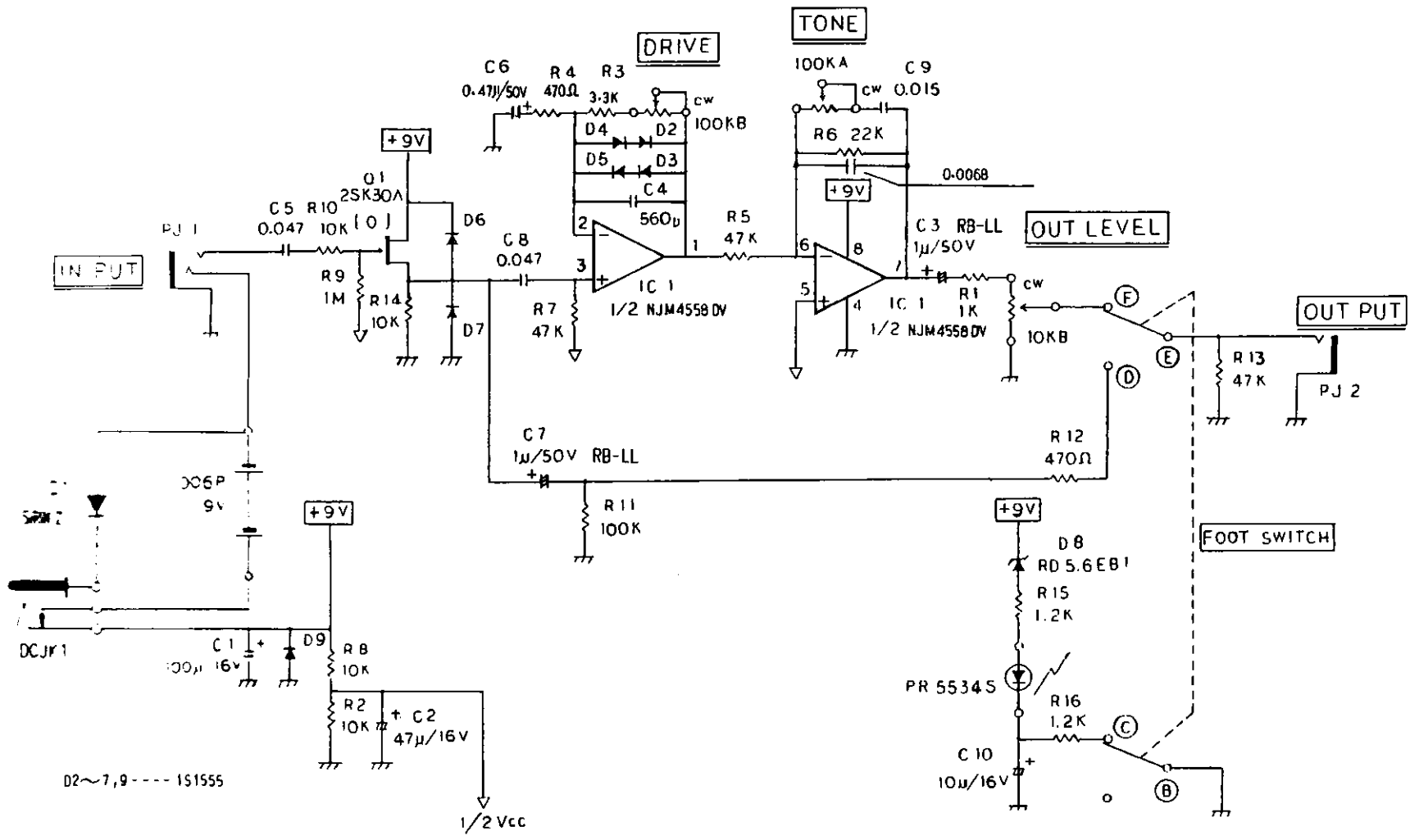
## 2. STRUCTURAL DIAGRAM



PART NO.	PART NAME	PART CODE
1	FRONT COVER	64704100
2	REAR COVER	64703100
3	BATTERY COVER	64703200
4	RUBBER STOPPER LARGE	50008300
5	RUBBER STOPPER SMALL	50008400
6	P.C.B. PROTECTOR	64407000
7	PHONE JACK SUPPORT	64403600
8	SPONGE	50003400
9	FOOT SW (KES-21)	37507100
10	LED (M8524)	31200700
11	LED HOLDER X-TYPE No. 4	57504000
12	P.C.B. (KLM-688)	34068800
13	SERIAL NUMBER SEAL	34059400
14	LED P.C.B. (KLM-694)	62014300
15	EFFECTS KNOB SMALL	62014200
16	EFFECTS KNOB LARGE	36011600
17	VR 100KA	36012000
18	VR 100KB	36012100
19	VR 100K8	50004400
20	BATTERY CUSHION	50004400

### 3. CIRCUIT DIAGRAM

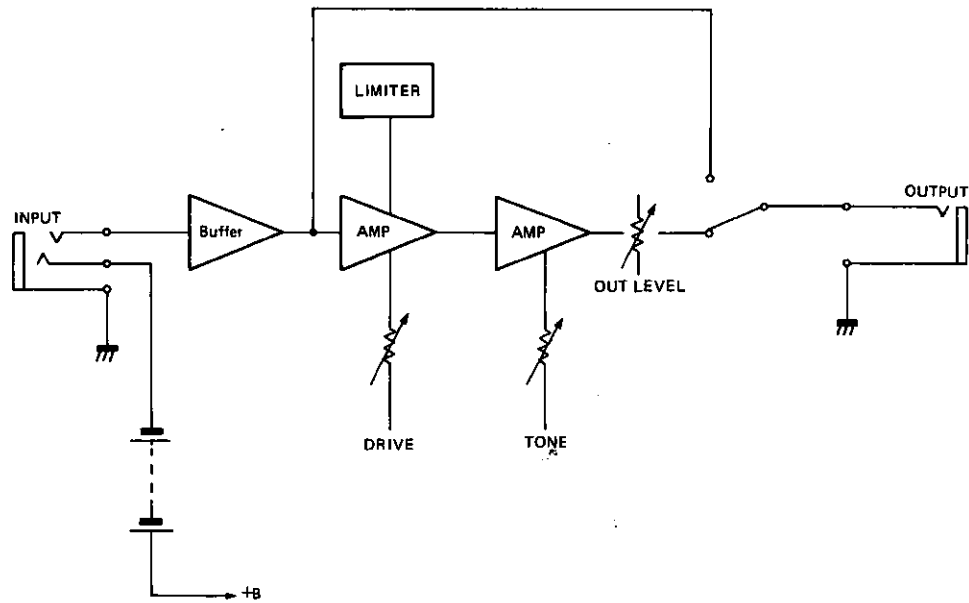
KLM-688



D2~7,9 ---- 1S1555

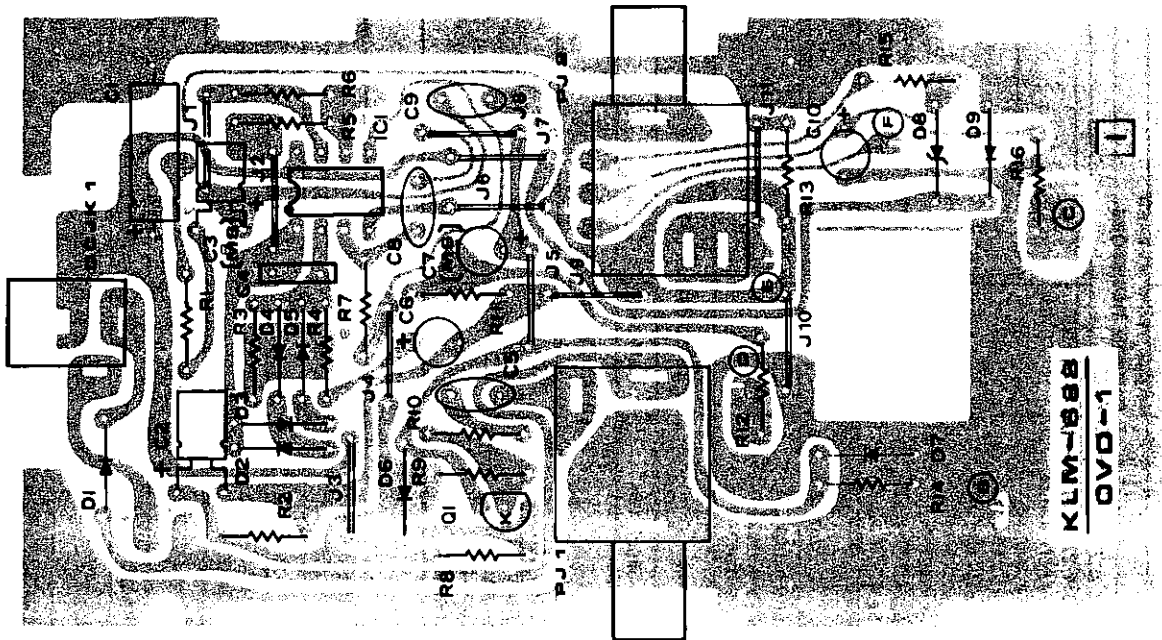
## 4. BLOCK DIAGRAM

KLM-688



## 5. P.C. BOARD

KLM-688



## 6. PARTS LIST

PARTS CODE	PARTS NAME SPECIFICATIONS	BOARD	IDENTIFICATION NO. FUNCTION	Q'TY
<b>CARBON RESISTORS</b>				
10016522	1/6JY 22K	KLM-688		1
10413347	S1/4JYTP 470 Ω		2	
10413410	S1/4JYTP 1K		1	
10413412	S1/4JYTP 1.2K		2	
10413433	S1/4JYTP 3.3K		1	
10413510	S1/4JYTP 10K		4	
10413547	S1/4JYTP 47K		3	
10413610	S1/4JYTP 100K		1	
10413710	S1/4JYTP 1M		1	
<b>MYLAR CAPACITORS</b>				
20023468	50V 0.0068μF	KLM-688		1
20402515	50V 0.015μF		1	
20402547	50V 0.047μF		2	
<b>CERAMIC CAPACITOR</b>				
21453560	50V 560PF TP	KLM-688		1
<b>ELECTROLYTIC CAPACITORS</b>				
Z3107310	816V 100μF	KLM-688		1
Z3315047	A50V 0.47μF		1	
Z3315110	A50V 1μF		2	
Z5003210	16V 10μF		1	
Z5043247	16V 47μF		1	
<b>FET</b>				
30460010	2SK30A TM-O	KLM-688		1
<b>DIODES</b>				
31001500	SR1K-2	KLM-688		1
31400100	1S1555		7	
<b>LED</b>				
31200700	PR-5534S			1
<b>ZENER DIODE</b>				
31420300	RD-5.6EB-TN-B1	KLM-688		1

PARTS CODE	PARTS NAME SPECIFICATIONS	P.C. BOARD	IDENTIFICATION NO. FUNCTION	Q'TY
<b>IC</b>				
32009001	NJM-4558D-V	KLM-688		1
<b>P.C. BOARD WITH PARTS</b>				
34068800	KLM-688			1
34069400	KLM-694			1
<b>VRs</b>				
36011600	K161100T6E 100KA			1
36012000	K161100T6E 10KB VM10A-C29E			1
36012100	K161100T6E 100KB VM10A-C29			1
<b>FOOT SW</b>				
37507100	KFS-2			1
<b>PHONE JACKS</b>				
45000600	S-G 7622 #06	KLM-688		1
45001100	S-G 7713 #04		1	
<b>POWER JACK</b>				
45400300	HEC-0470-01-230	KLM-688		1
<b>SPONGE</b>				
50003400	4x20x40			1
<b>BATTERY CUSHION</b>				
50004400				1
<b>RUBBER STOPPERS</b>				
50009300	No. 1 LARGE			1
50009400	No. 2 SMALL			1
<b>BATTERY</b>				
52000400	006PUE 9V			1

ZENER DIODE				
31420300	RD-5.6EB-TN-B1	KLM-688		1

50009400	No. 2 SMALL			1
BATTERY				
52000400	006PUE 9V			1

PARTS CODE	PARTS NAME SPECIFICATIONS	P.C. BOARD	IDENTIFICATION NO. FUNCTION	Q'TY
<b>BATTERY SNAP</b>				
54005100	I-TYPE 80MM			1
<b>LED HOLDER</b>				
57504000	X-TYPE No. 4 5.8MM			1
<b>EFFECTS KNOBS</b>				
62014200	LARGE			2
62014300	SMALL			1
<b>PHONE JACK SUPPORT</b>				
64030500				1
<b>P.C.B PROTECTOR</b>				
64607000				1
<b>REAR COVER</b>				
64703100				1
<b>BATTERY COVER</b>				
64703200				1
<b>FRONT COVER</b>				
64704100				1
<b>SCREWS</b>				
70060323	FE P BZMC 3x23			4
70130304	FE F ZMC 3x4			1
72130306	TP2G F ZMC 3x6			2
72530308	TP2G B ZMC 3x8			3
<b>NUT</b>				
77310900	VN N-3 9			2
<b>PHONE JACK WASHER</b>				
79040914	N-3 9x14x0.			2