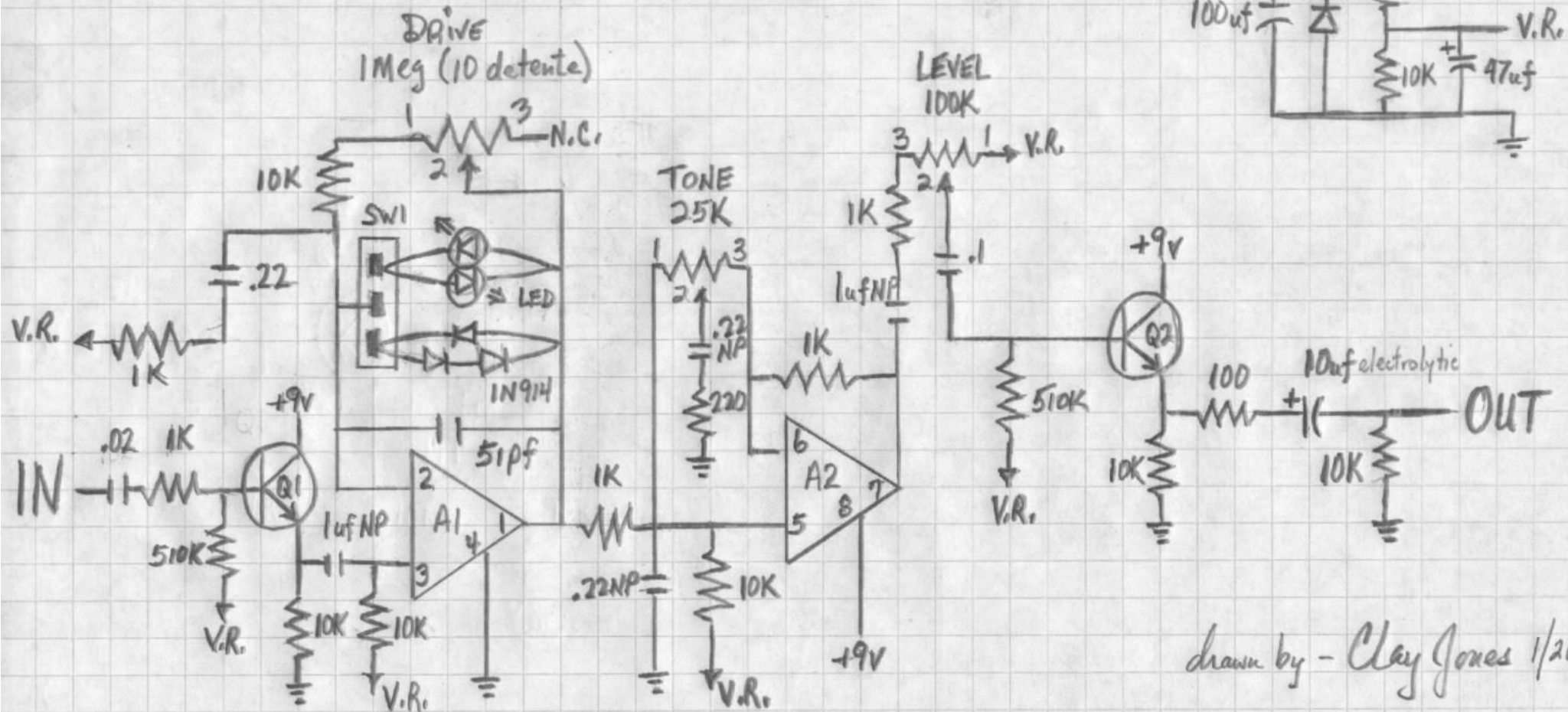


Grand Laff Dynamic Overhype



drawn by - Clay Jones 1/20/04

Q1, Q2 - 2SC1815

IC - JRC 4558

SW1 - SPDT ON/NONE/ON

up - TS 808
center - diode lift
Down - "Marshall"

*Filter caps - Blue Ficon

Buffer cap - Sprague

NP caps - AVX polyester box

Resistors - 1/4 watt Carbon comp

Solder - 2% silver (the "Secret")