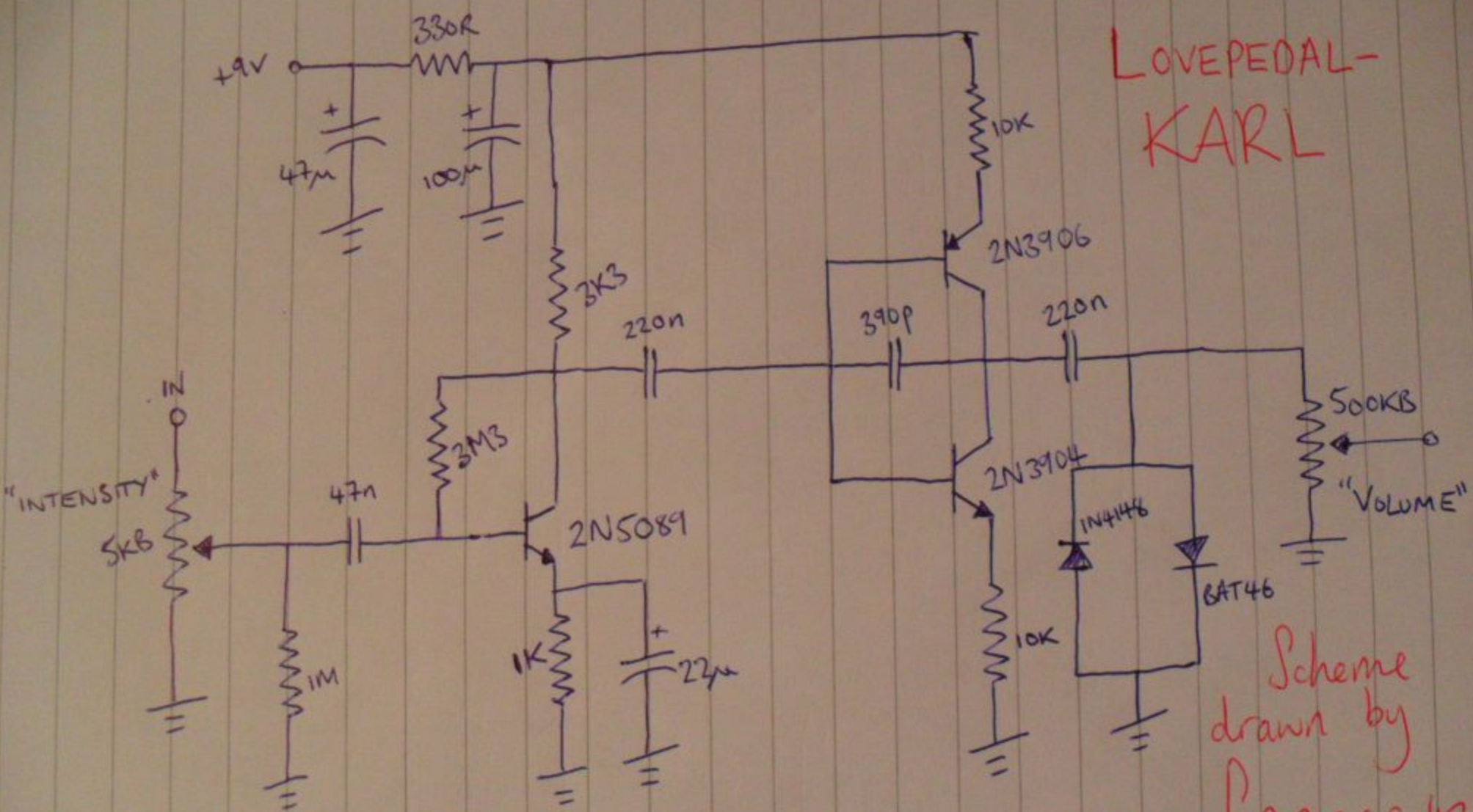


LOVEPEDAL-KARL



Scheme drawn by
J. BRIGGS '12