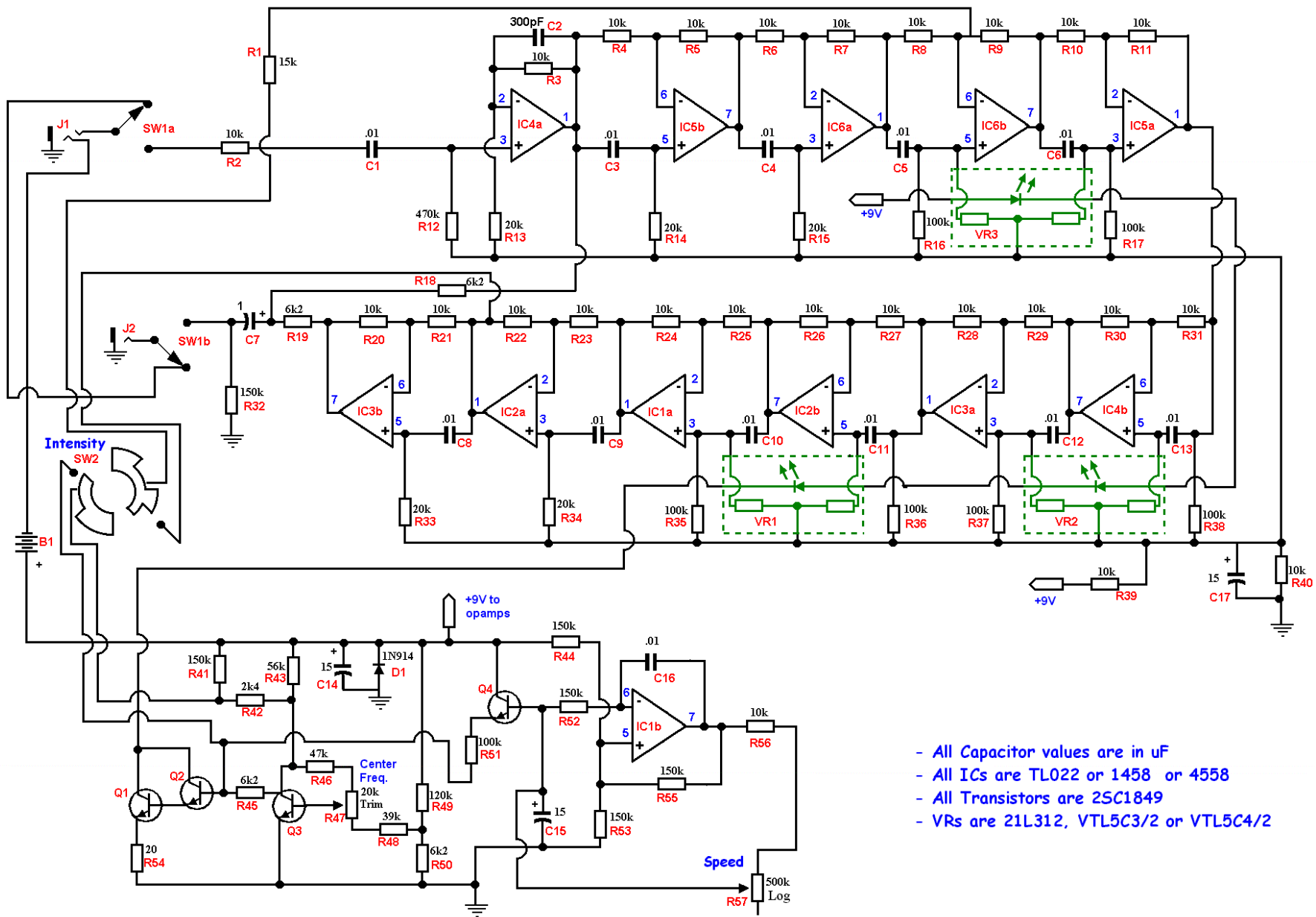


MXR Phase 100



- All Capacitor values are in uF
- All ICs are TL022 or 1458 or 4558
- All Transistors are 2SC1849
- VRs are 21L312, VTL5C3/2 or VTL5C4/2

Drawn by: JD Sleep

Revision: 2001/05/21

Copyright 2001 JD Sleep

Guitar Effects Projects <http://tinpan.fortunecity.com/solidgold/29/>

Permission denied for posting/serving this information from any site other than Guitar Effects Projects