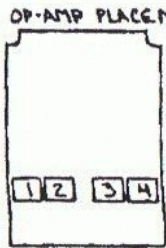
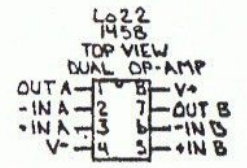
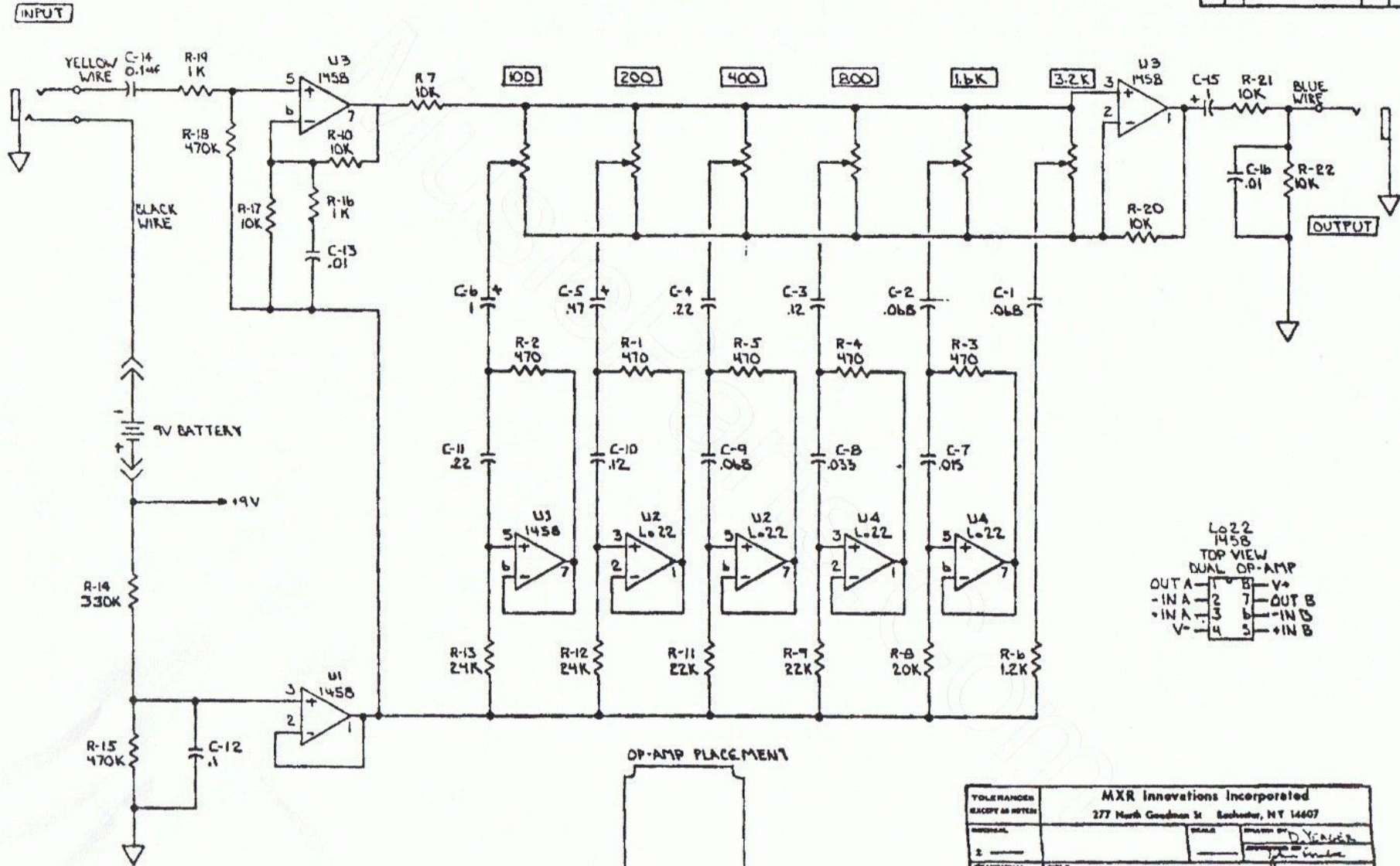


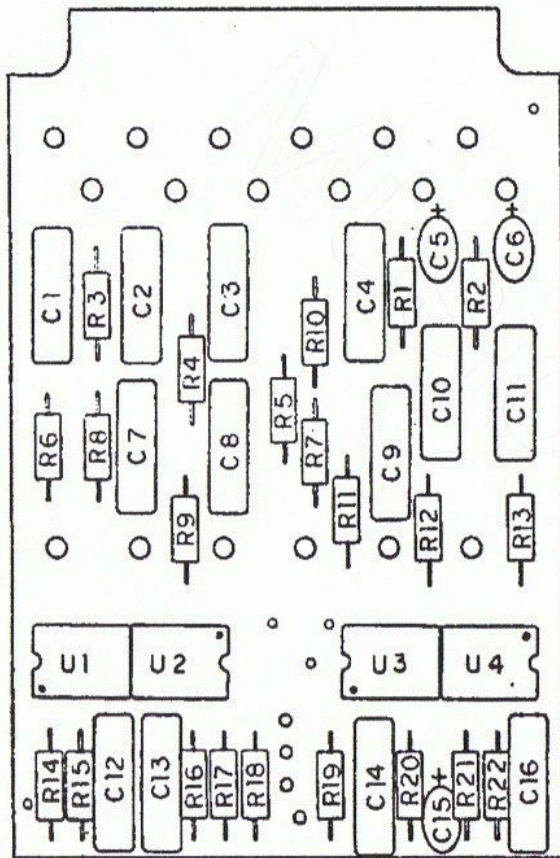
| DATE | BY | REVISION | RECORD | AUTH | ON | LN |
|---------|----|-----------|--------|------|----|----|
| 8/28/77 | OK | OPN-REV | OK | OK | OK | 07 |
| 9/6/77 | OK | ADDED 10K | | | | |
| 9/6/77 | OK | PCH 24 | | | | |
| | | | | | | |
| | | | | | | |

NOTE: ALL 'X' RES.
 CTS SPLD TAPER 15K
 10% RES. AT 25% ROTATION
 90% RES. AT 75% ROTATION



COMPONENT SIDE OF BOARD

| | | | |
|----------------------------|--------|---|----------|
| TOLERANCES EXCEPT AS NOTED | | MXR innovations Incorporated 277 North Goodman St. Rochester, NY 14607 | |
| DESIGNED BY | DATE | ISSUED BY | REVISION |
| | | D. YENGER | |
| FRACTIONAL | TITLE | SCHEMATIC DIAGRAM SIX BAND GRAPHIC EQUALIZER | |
| ANGULAR | DATE | REVISION NUMBER | |
| | 8-2-77 | 109-4001-108 | |



COMPONENT SIDE

| LEVEL | DATE | PCN NO. OR CHANGE REMARKS | DRAWN | APP'D |
|-------|-------|---------------------------|-------|-------|
| 303 | 10/80 | PCN 245 | T.D. | S.D. |
| - | 3-80 | REDRAWN | M.H. | JAL |
| 302 | 10/78 | 145B WAS L022 | BK. | DY |

| REVISION LOG | | | | |
|-------------------------------------|---|----------------------|---|--|
| TOLERANCES: (EXCEPT AS NOTED) | PRINT DATE: | MXR | MXR innovations Inc. Rochester, New York | |
| DECIMAL: | | | DO NOT SCALE DRAWING | DIMENSIONS ARE IN: <input type="checkbox"/> INCHES <input type="checkbox"/> M.M |
| 2 PL. | SCALE: 2:1 | | | |
| 3 PL. | | | | |
| FRACTIONAL: | DRAWN/DATE: Dapier 10-80 | CHK/DATE: SD. 10/21 | APP'D/DATE: SD. 12/21 | |
| ANGULAR: | TITLE: COMPONENT PLACEMENT SIX BAND GRAPHIC EQUALIZER | | | |
| PG. 1 OF 1 | B | OWG. NO. 109-3001 | REV. LEVEL 303 | |