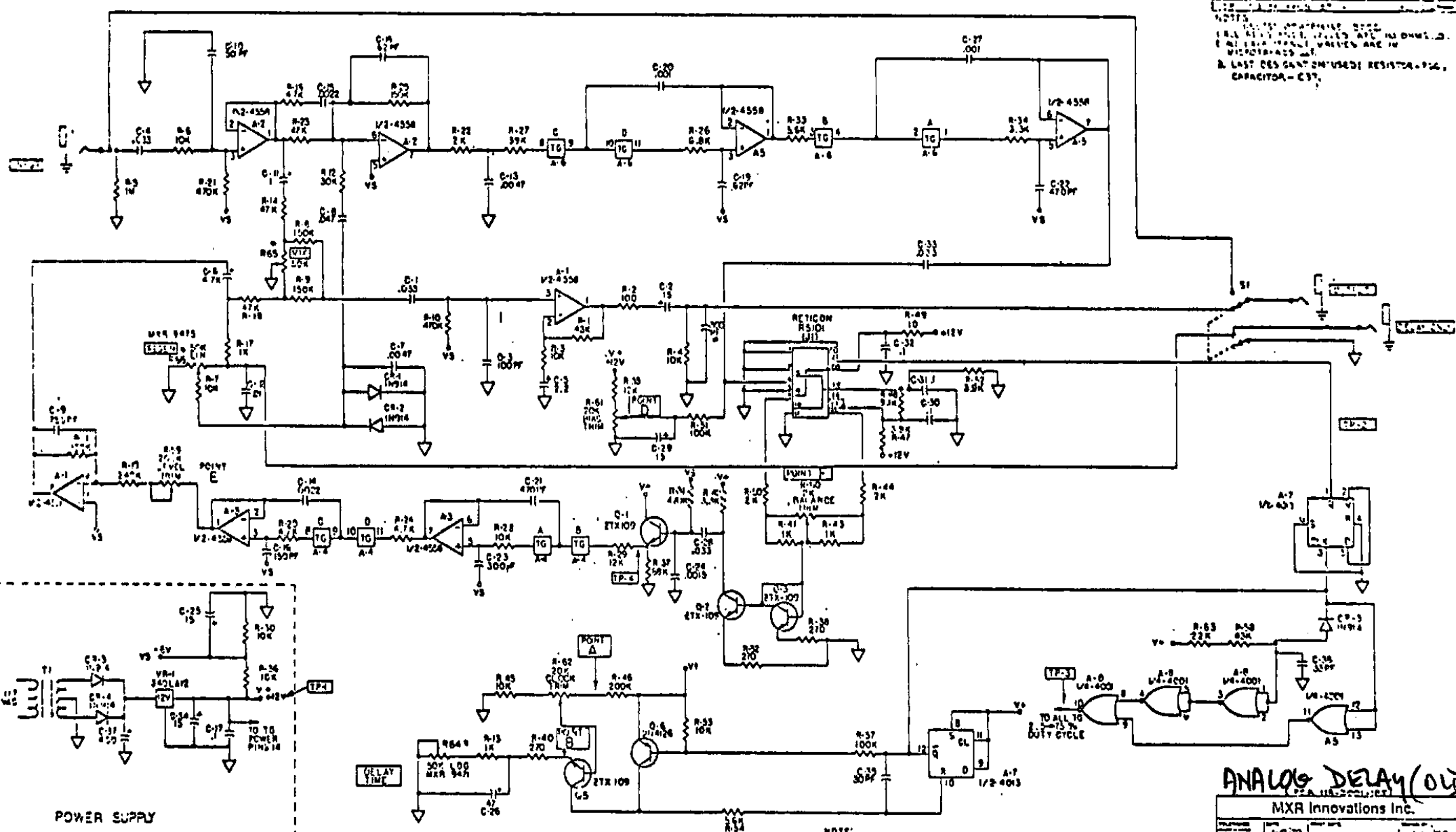


REV	1	DATE	10/1/77
BY	...	CHKD	...
APP'D	...	DATE	...
...

NOTE:
 1. ALL RESISTOR VALUES ARE IN OHMS UNLESS SPECIFIED OTHERWISE.
 2. ALL CAPACITOR VALUES ARE IN MICROFARADS UNLESS SPECIFIED OTHERWISE.
 3. LAST RESISTOR UNLESS OTHERWISE SPECIFIED IS 1/4W, 5% TOLERANCE.
 4. CAPACITORS - C37.



POWER SUPPLY

DELAY TIME

POINT A

POINT E

NOTE:
 1. TG - TRANSMISSION GATE
 2. IN 4016 PACKAGE. CLOCK IS 1-2000 HZ
 3. 300-15MS DELAY

SEE MECHANICAL ASSEMBLY/WIRING DRAWING.

ANALOG DELAY (OUT)

MXR Innovations Inc.	
Part No.	1-279
Rev.	1
DATE	10/1/77
BY	...
CHKD	...
APP'D	...
DATE	...
...	...