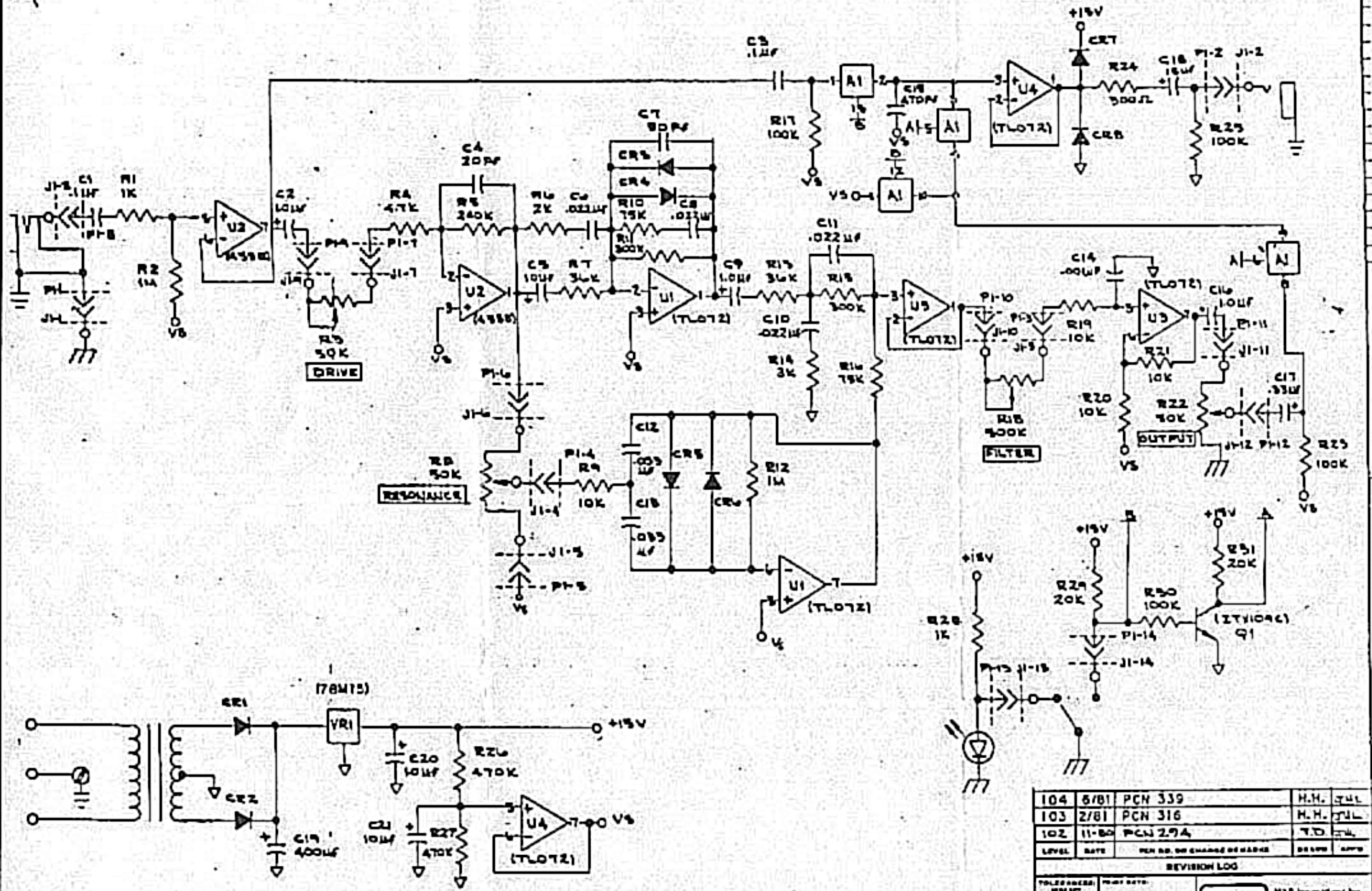


REV	DESCRIPTION	PLATE NO	DT



104	6/81	PCN 339	H.M.	JUL
103	2/81	PCN 316	H.M.	JUL
102	11-80	PCN 294	T.D.	JUL
LEVEL	DATE	REV NO. OR CHANGE OR MARKS	BY WHM	DATE

REVISION LOG																					
<table border="1"> <tr> <td>APPROVED:</td> <td>DATE:</td> <td rowspan="2"> </td> <td rowspan="2">           MSA Instrument Inc.            Rochester, New York         </td> </tr> <tr> <td>DRAWN:</td> <td></td> </tr> <tr> <td>FILE NO:</td> <td></td> <td>DATE:</td> <td></td> </tr> <tr> <td>PROJECT NO:</td> <td>7-31-80</td> <td>DATE:</td> <td></td> </tr> <tr> <td>REVISION:</td> <td></td> <td></td> <td></td> </tr> </table>	APPROVED:	DATE:		MSA Instrument Inc. Rochester, New York	DRAWN:		FILE NO:		DATE:		PROJECT NO:	7-31-80	DATE:		REVISION:				TITLE: <b>SCHEMATIC DISTORTION II</b>		
APPROVED:	DATE:				MSA Instrument Inc. Rochester, New York																
DRAWN:																					
FILE NO:		DATE:																			
PROJECT NO:	7-31-80	DATE:																			
REVISION:																					