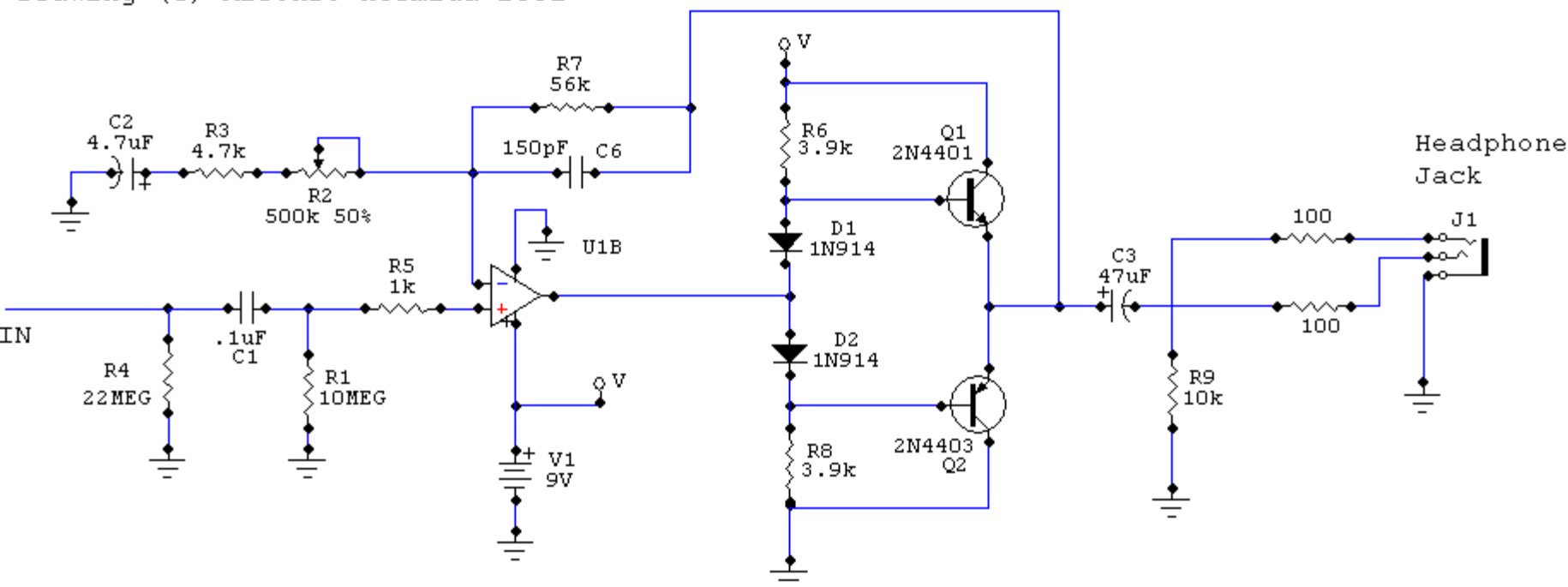


MXR Headphone Amplifier

Drawing (c) Alfonso Hermida 2001



Notes:

1. This is a trace of the actual board. I have one which is missing the main amp chip. The pinout per the layout is

n/c	1	8	n/c
input(-)	2	7	+V
input(+)	3	6	output
gnd	4	5	n/c

2. I don't have any information on the actual part number for the IC (best guess is LM380N)

3. If you have more info on this pedal, please email me at ahermida@erols.com