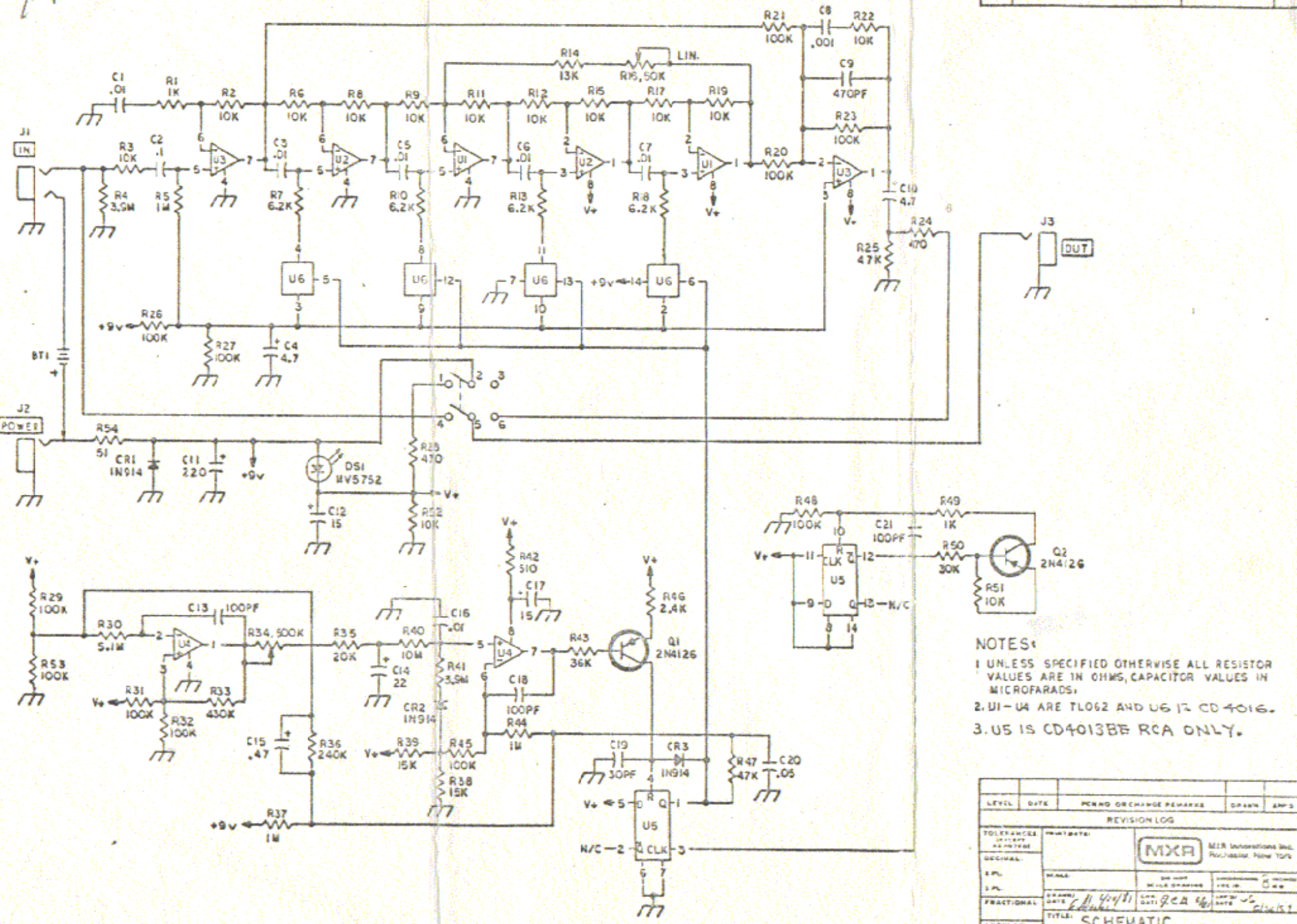


AK

PARTS LIST			
ITEM	DESCRIPTION	PART NO	QTY



- NOTES:
- 1 UNLESS SPECIFIED OTHERWISE ALL RESISTOR VALUES ARE IN OHMS, CAPACITOR VALUES IN MICROFARADS.
 2. U1 - U4 ARE TL062 AND U6 IS CD4016.
 3. U5 IS CD4013BE RCA ONLY.

LEVEL	DATE	PERNO OR CHANGE	REMARKS	DRWN	APP'D
REVISION LOG					
TOLERANCES UNLESS OTHERWISE NOTED	PRINT DATE:	 MXR Innovations Inc. Rockville, New York			
DECIMAL					
E.P.L.	SCALE	DATE: 1/4/71	BY: JCB	REV: 1	REV: 1
FRACTIONAL	DATE: 1/4/71	DATE: 1/4/71	DATE: 1/4/71	DATE: 1/4/71	DATE: 1/4/71
ANGULAR	TITLE: SCHEMATIC PHASER				
NO. 1 OF 1		C 161-4001		REV. LEVEL 101	