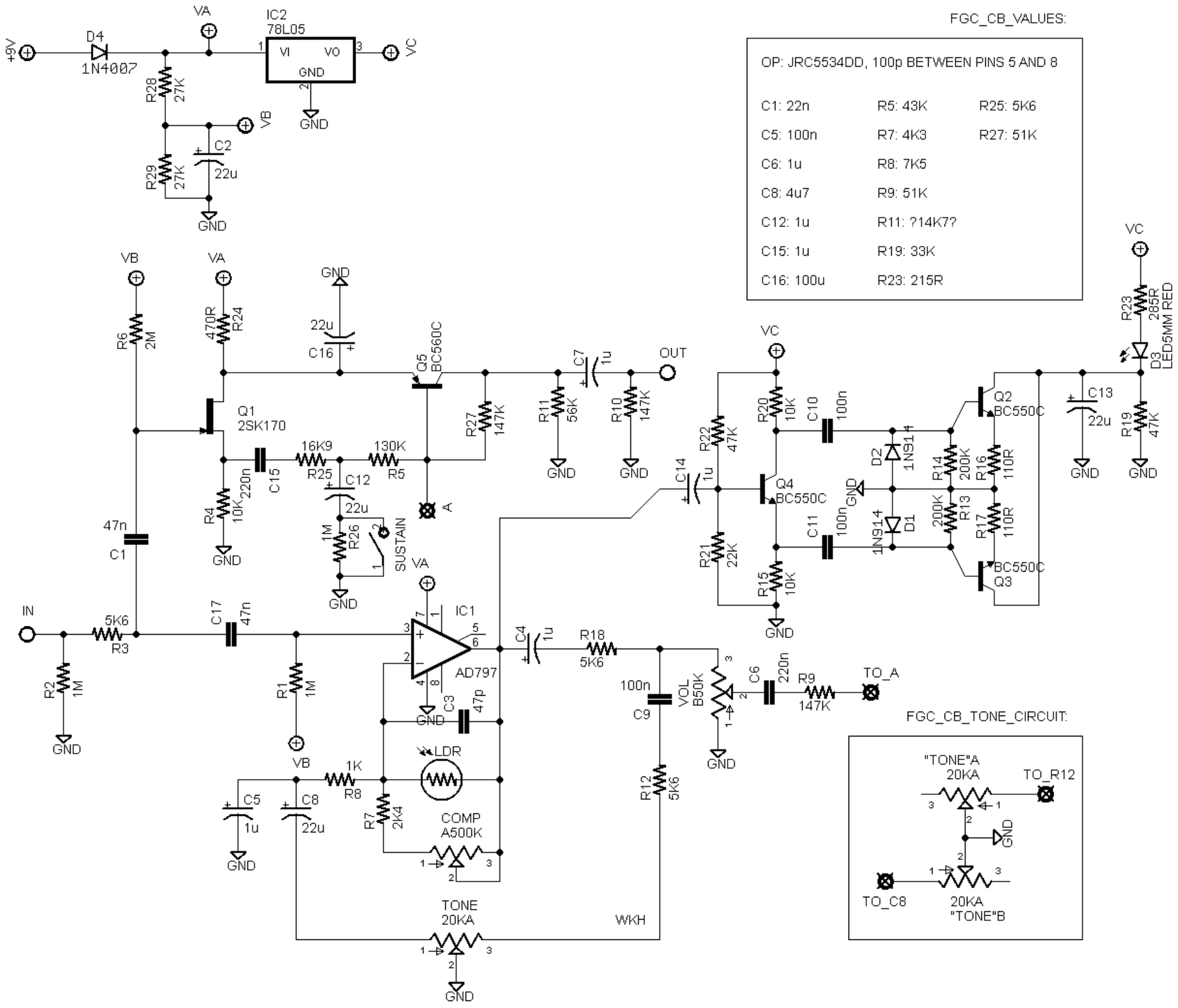


FGC_CB_VALUES:

- OP: JRC5534DD, 100p BETWEEN PINS 5 AND 8
- C1: 22n
 - C5: 100n
 - C6: 1u
 - C8: 4u7
 - C12: 1u
 - C15: 1u
 - C16: 100u
 - R5: 43K
 - R7: 4K3
 - R8: 7K5
 - R9: 51K
 - R11: ?14K??
 - R19: 33K
 - R23: 215R
 - R25: 5K6
 - R27: 51K



FGC_CB_TONE_CIRCUIT:

