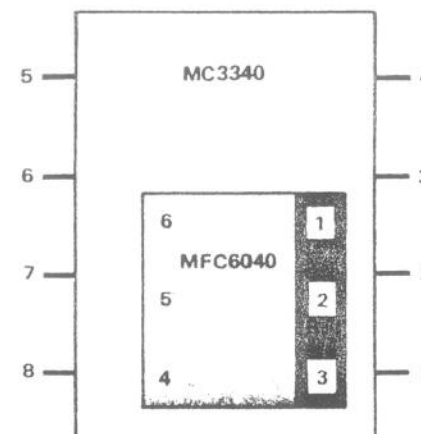


NOTES:  
 1. UNLESS OTHERWISE SPECIFIED:  
 ALL RESISTORS IN OHMS,  $\pm 10\%$ , 1/2W.  
 ALL CAPACITORS IN MFD.

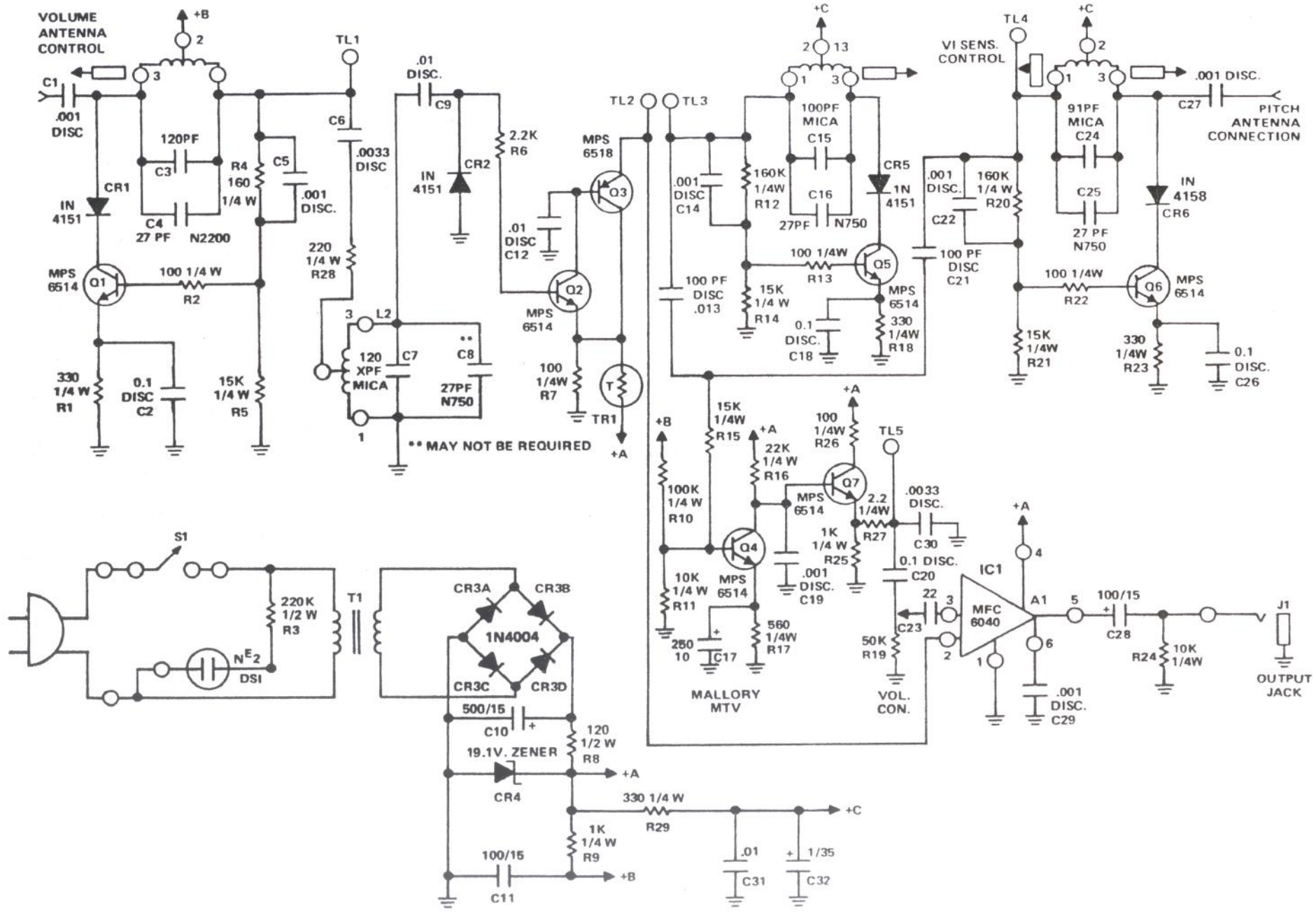
BASING DIAGRAMS  
 BOTTOM VIEWS



MPS6514  
 MPS6518



REF DESIG	PART NO.	DESCRIPTION
CR1, CR2, CR5, CR6	919-040075-001	Diode, 1N4151, 1N4158 Substitute
CR3A thru CR3D	919-042019-001	Diode, 1N4004
CR4	919-050216-001	Diode, Zener, 1N5356A
IC1	991-050058-001	Integrated Circuit, MFC6040, MFC3340 Substitute
Q1, Q2, Q4 thru Q7	991-041051-001	Transistor, MPS6514, 2N3904 Substitute
Q3	991-041052-001	Transistor, MPS6518, 2N3906 Substitute



THEREM IN MODEL TH-1