

30 SEP 1994

UNSPECIFIED HOLE DATA	
A	H
B	J
C	K
D	L
E	M
F	N
G	O
H	P
I	Q
J	R
K	S
L	T
M	U
N	V
O	W
P	X
Q	Y
R	Z

REVISION	
1	ISSUED FOR PRODUCTION
2	ISSUED FOR PRODUCTION
3	ISSUED FOR PRODUCTION
4	ISSUED FOR PRODUCTION
5	ISSUED FOR PRODUCTION
6	ISSUED FOR PRODUCTION
7	ISSUED FOR PRODUCTION
8	ISSUED FOR PRODUCTION
9	ISSUED FOR PRODUCTION
10	ISSUED FOR PRODUCTION

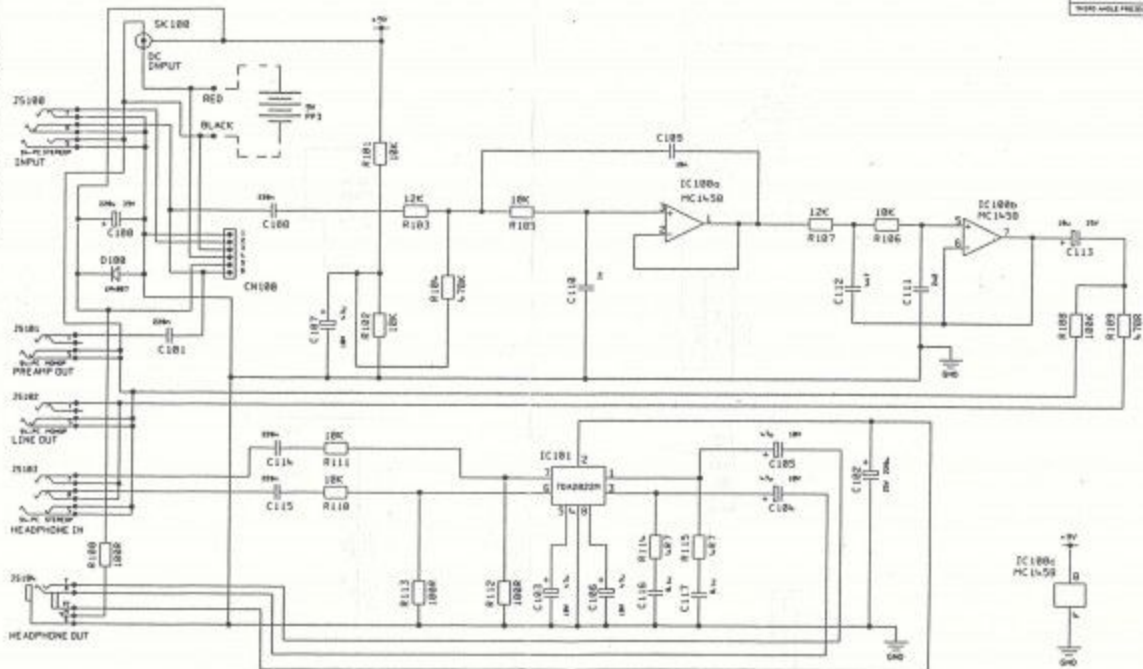
DRP-1



TITLE  
**POT BOARD  
 CIRCUIT DIAGRAM**  
 DWG. No  
**RP4B-61-82**  
 ISSUE  
**2**



DWG. NO. RP4B-60-82



30 SEP 1994

TITLE  
JACK SOCKET BOARD  
CIRCUIT DIAGRAM

DWG. No  
RP4B-60-82

ISSUE  
2

UNPACK LISTED DATA

REV	DATE	BY	CHKD	APPV	DESCRIPTION
1	10/1/78				
2	08/14/79				
3	08/14/79				
4	08/14/79				
5	08/14/79				
6	08/14/79				
7	08/14/79				
8	08/14/79				
9	08/14/79				
10	08/14/79				
11	08/14/79				
12	08/14/79				
13	08/14/79				
14	08/14/79				
15	08/14/79				
16	08/14/79				
17	08/14/79				
18	08/14/79				
19	08/14/79				
20	08/14/79				
21	08/14/79				
22	08/14/79				
23	08/14/79				
24	08/14/79				
25	08/14/79				
26	08/14/79				
27	08/14/79				
28	08/14/79				
29	08/14/79				
30	08/14/79				
31	08/14/79				
32	08/14/79				
33	08/14/79				
34	08/14/79				
35	08/14/79				
36	08/14/79				
37	08/14/79				
38	08/14/79				
39	08/14/79				
40	08/14/79				
41	08/14/79				
42	08/14/79				
43	08/14/79				
44	08/14/79				
45	08/14/79				
46	08/14/79				
47	08/14/79				
48	08/14/79				
49	08/14/79				
50	08/14/79				

REV	DATE	BY	CHKD	APPV	DESCRIPTION
1	10/1/78				
2	08/14/79				
3	08/14/79				
4	08/14/79				
5	08/14/79				
6	08/14/79				
7	08/14/79				
8	08/14/79				
9	08/14/79				
10	08/14/79				
11	08/14/79				
12	08/14/79				
13	08/14/79				
14	08/14/79				
15	08/14/79				
16	08/14/79				
17	08/14/79				
18	08/14/79				
19	08/14/79				
20	08/14/79				
21	08/14/79				
22	08/14/79				
23	08/14/79				
24	08/14/79				
25	08/14/79				
26	08/14/79				
27	08/14/79				
28	08/14/79				
29	08/14/79				
30	08/14/79				
31	08/14/79				
32	08/14/79				
33	08/14/79				
34	08/14/79				
35	08/14/79				
36	08/14/79				
37	08/14/79				
38	08/14/79				
39	08/14/79				
40	08/14/79				
41	08/14/79				
42	08/14/79				
43	08/14/79				
44	08/14/79				
45	08/14/79				
46	08/14/79				
47	08/14/79				
48	08/14/79				
49	08/14/79				
50	08/14/79				

REV	DATE	BY	CHKD	APPV	DESCRIPTION
1	10/1/78				
2	08/14/79				
3	08/14/79				
4	08/14/79				
5	08/14/79				
6	08/14/79				
7	08/14/79				
8	08/14/79				
9	08/14/79				
10	08/14/79				
11	08/14/79				
12	08/14/79				
13	08/14/79				
14	08/14/79				
15	08/14/79				
16	08/14/79				
17	08/14/79				
18	08/14/79				
19	08/14/79				
20	08/14/79				
21	08/14/79				
22	08/14/79				
23	08/14/79				
24	08/14/79				
25	08/14/79				
26	08/14/79				
27	08/14/79				
28	08/14/79				
29	08/14/79				
30	08/14/79				
31	08/14/79				
32	08/14/79				
33	08/14/79				
34	08/14/79				
35	08/14/79				
36	08/14/79				
37	08/14/79				
38	08/14/79				
39	08/14/79				
40	08/14/79				
41	08/14/79				
42	08/14/79				
43	08/14/79				
44	08/14/79				
45	08/14/79				
46	08/14/79				
47	08/14/79				
48	08/14/79				
49	08/14/79				
50	08/14/79				

**Marshall**

DRP-1

© MARSHALL ELECTRONICS CORPORATION  
1978

TITLE	JACK SOCKET BOARD CIRCUIT DIAGRAM
DWG. No	RP4B-60-82
ISSUE	2