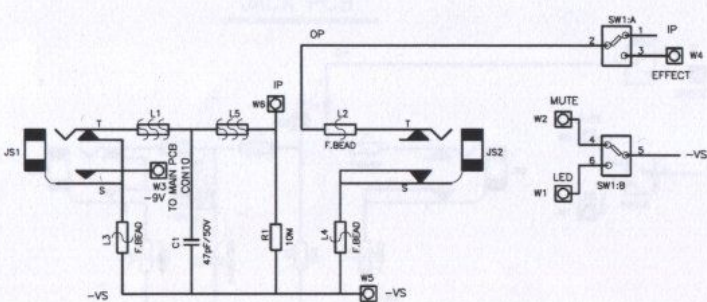


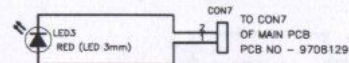
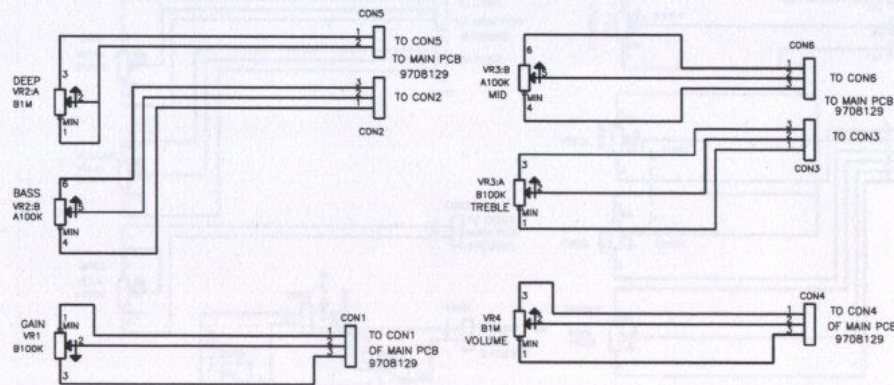
TONE STACK
 C1 = 6,8 MF
 C2 = 10 MF
 C3 = 470 PF
 C4 = 22 MF
 C5 = 1 MF

C22 = 470pF remove!

JACK PCB



CONROL PCB



Title		
SCHEMATIC FOR GV-1 UNIT DIAGRAM		
Size	Number	Rev
A2		
Date	6.5.98	Drawn by Surajit
Filename	MU.S01	Sheet 1 of 1