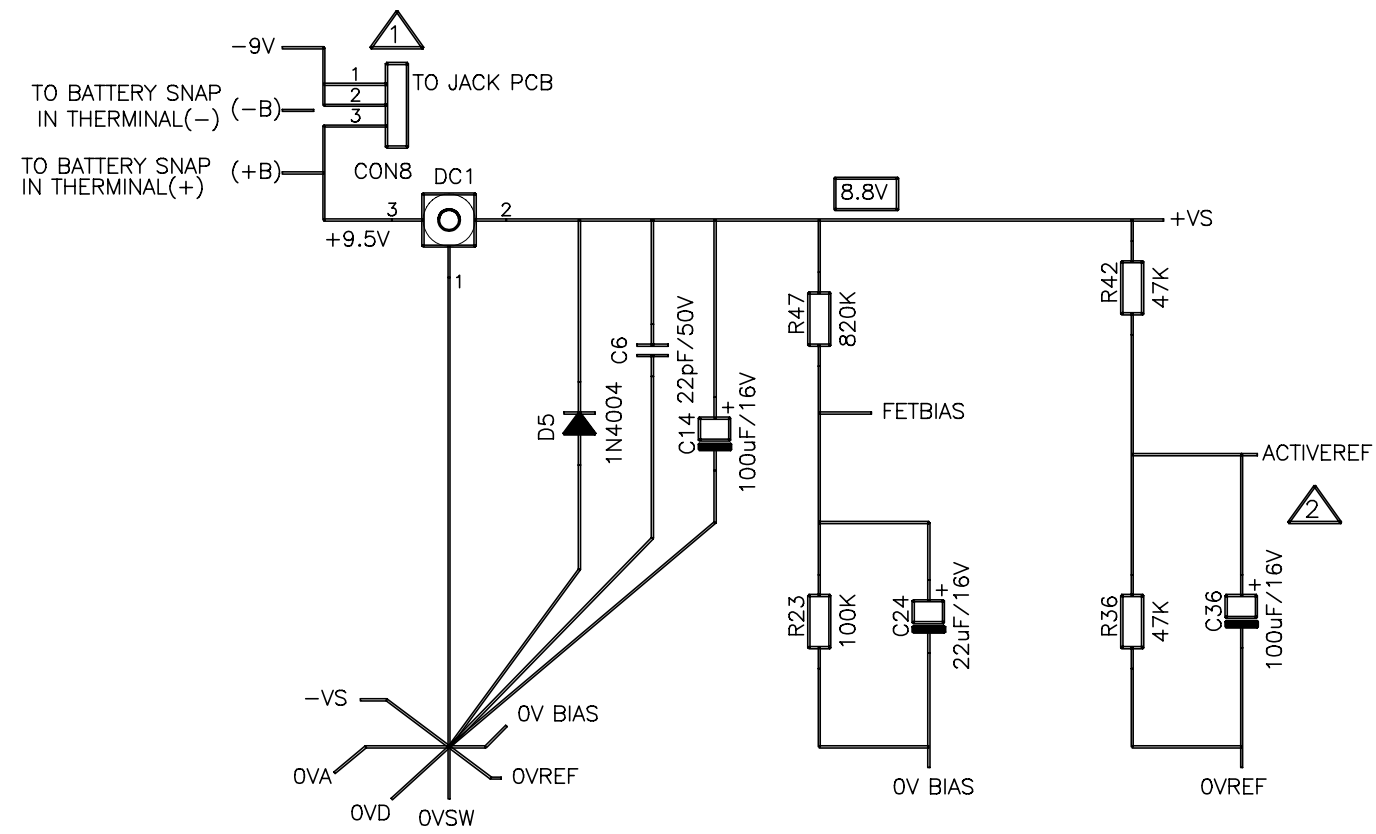
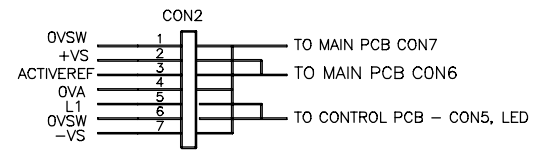
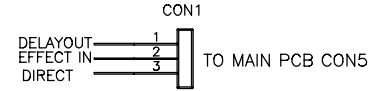
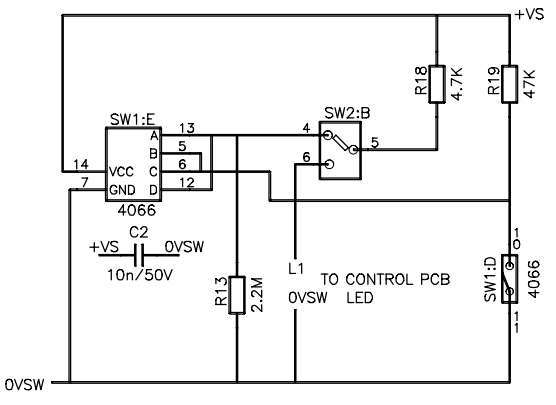
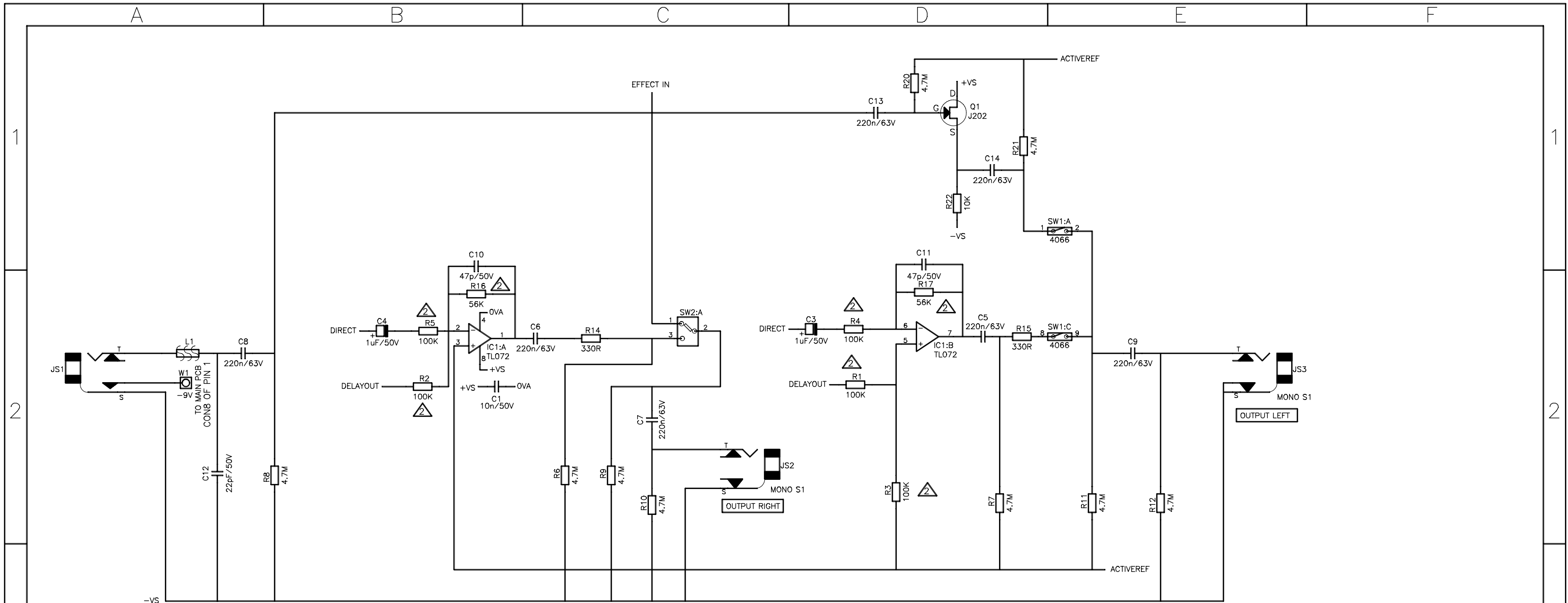


3	1.9.98	SCHEMATIC CHANGE AS PER EMAIL DATE - 1.9.98	Surajit	
2	17.7.98	C37,C9,R15&R35 VALUE CHANGED. C36 CONNECTION CHANGED.	Surajit	
1	13.5.98	WIRING POINTS CHANGES TO CONNECTORS. COMPONENT SERIALISED. SCHEMATIC CHANGES ASPER EMAIL DATE 13.5.98 CON1 WAS 3PIN. CON7 2PIN ADDED.	Surajit	
SYM	DATE	DESCRIPTION	SIGN	APP'D

Title			
SCHEMATIC FOR MAIN PCB			
MODEL	SV-1	Size	Number
PCBNO	9707055-3		9707054
DES' BY	Surajit	Date	18.5.98
CHK' BY		Drawn by	Surajit
APPD' BY		Filename	MAIN.S01
		Sheet	1 of 2



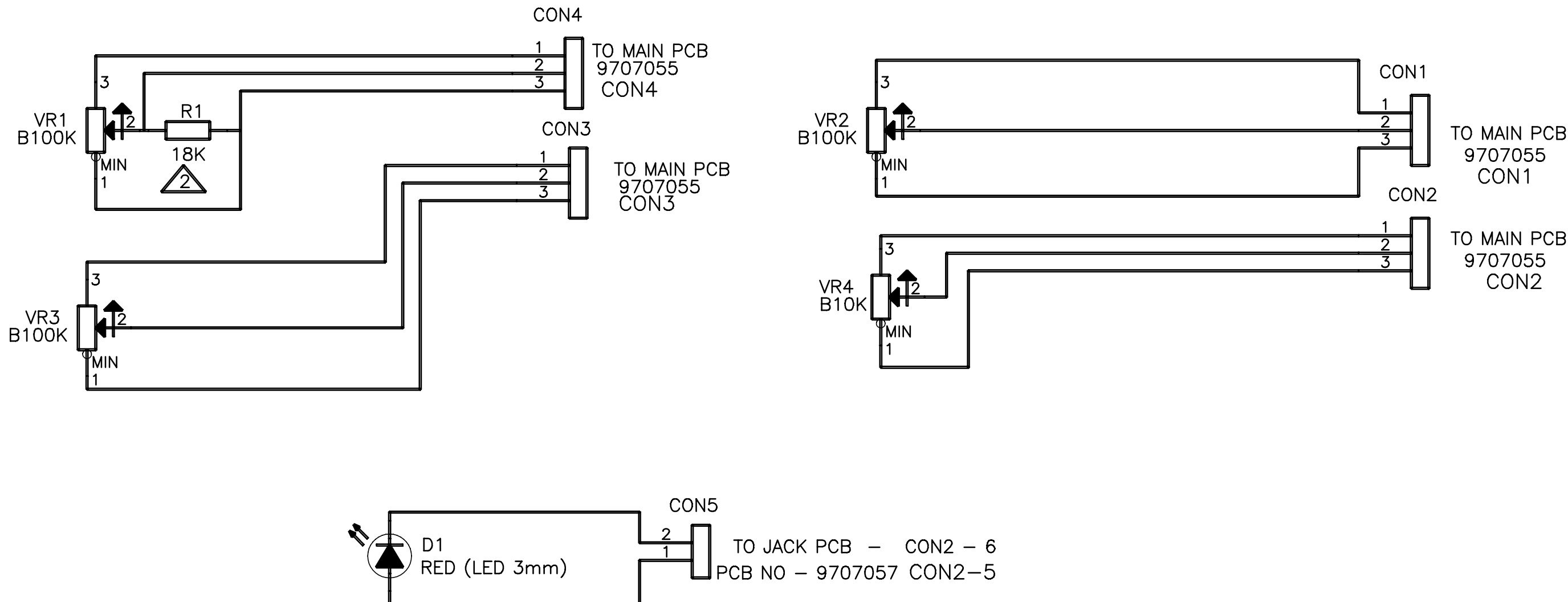
MODEL	SV-1	Title SCHEMATIC FOR MAIN PCB		
PCBNO	9707055-3	Size A3	Number 9707054	Rev 3
DES' BY	Surajit	Date 18.5.98	Drawn by Surajit	
CHK' BY		Filename MAIN.S02	Sheet 2 of 2	
APPD'BY				



3	1.9.98	SCHEMATIC CHANGES ASPER EMAIL DATE 1.9.98	Surajit	
2	17.7.98	R1,R2,R3,R4,R5,R16,R17 VALUE CHANGE	Surajit	
1	13.5.98	COMPONENT SERIALISED. SCHEMATIC CHANGES ASPER EMAIL DATE 13.5.98	Surajit	
SYM	DATE	DESCRIPTION	SIGN	APP'D

Title SCHEMATIC FOR JACK PCB

MODEL	SV-1	Size	A2	Number	9707056	Rev	3
PCBNO	9707057-3	Date	18.5.98	Drawn by	Surajit		
DES' BY	Surajit	Filename	JACK.S01	Sheet	1	of	1
CHK' BY							
APP'D BY							



3	1.9.98	SCHEMATIC CHANGES ASPER EMAIL DATE 1.9.98	Surajit	
2	17.7.98	R1 ADDED	Surajit	
1	13.5.98	COMPONENTS SERIALISED SCHEMATIC CHANGES ASPER EMAIL CHANGES 13.5.98	Surajit	
	SYM DATE	DESCRIPTION	SIGN	APP'D

MODEL	SV-1	Title SCHEMATIC FOR CONTROL PCB		
PCBNO	9707053-3	Size A4	Number 9707052	Rev 3
DES' BY	Surajit	Date 18.5.98	Drawn by Surajit	
CHK' BY		Filename CONTROL.S01	Sheet 1 of 1	
APPD'BY				