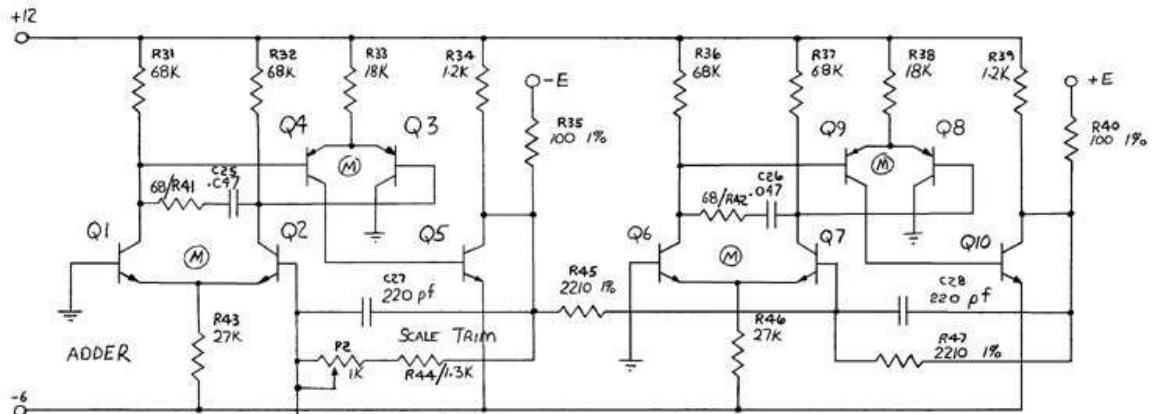
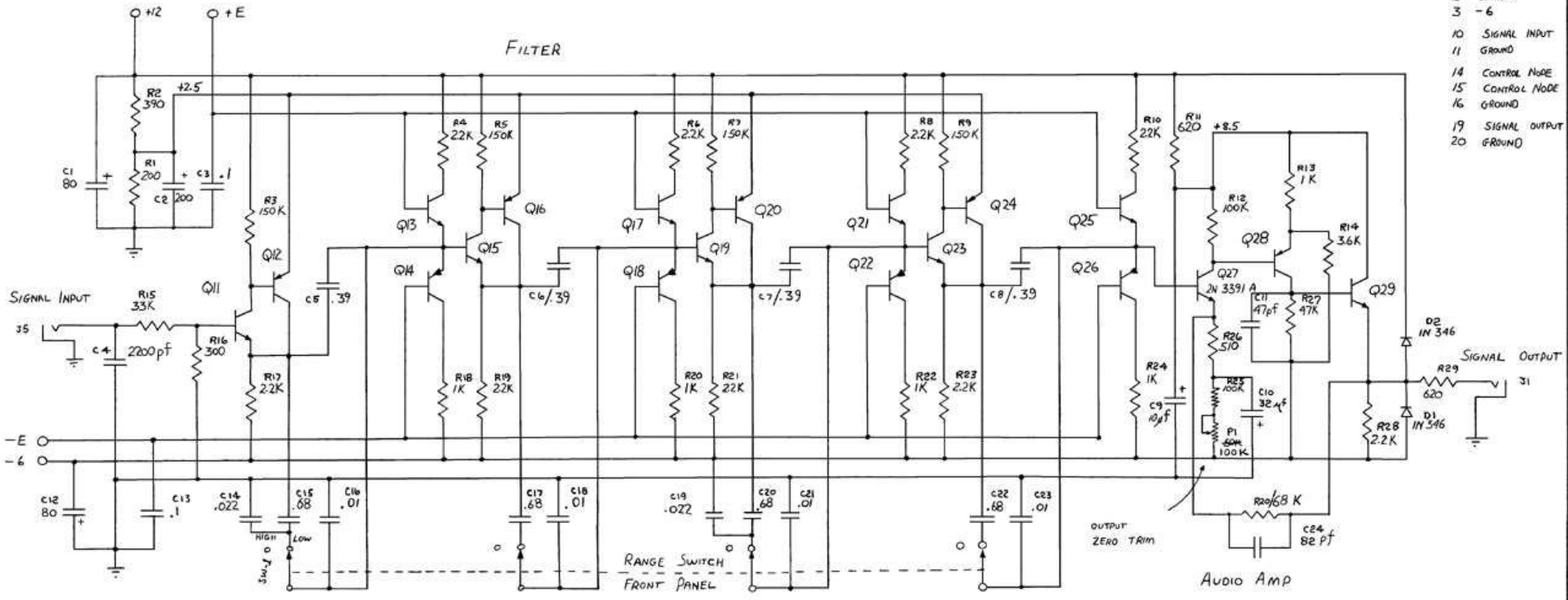
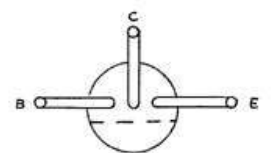
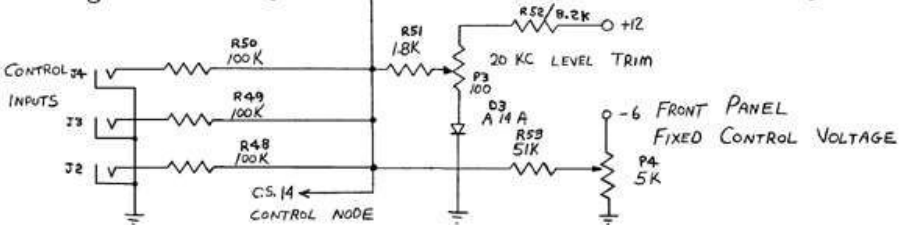


CONNECTOR STRIP

- 1 +12
- 2 GROUND
- 3 -6
- 10 SIGNAL INPUT
- 11 GROUND
- 14 CONTROL NODE
- 15 CONTROL NODE
- 16 GROUND
- 19 SIGNAL OUTPUT
- 20 GROUND



ALL NPN TRANSISTORS 2N 3392 EXCEPT Q 27
 ALL PNP TRANSISTORS 2N 405B
 (M) INDICATES MATCHED PAIR
 ALL RESISTORS 1/2 WATT 5% CARBON } UNLESS OTHERWISE MARKED
 ALL CAPACITORS IN μ F
 Q 13, 17, 21, 25 ARE A MATCHED SET
 Q 14, 18, 22, 26 " " " "



TYPICAL BASE LAY-OUT FOR ALL TRANSISTORS USED IN CIRCUITRY.

THIS DWG. APPLIES TO MODULES WITH SERIAL NUMBERS 194 AND ABOVE

REVISIONS		R. A. MOOG CO.	
C	COMPLETE REDRAWING	TRUMANSBURG, NEW YORK	
*	OLD DWG DATED 12/18/68 OBSOLETE	TITLE	NEW VERSION
		904 B	
		SCALE	DR. BY SCOTT
		DATE 6/23/70	CK'D. BY
			DWG. NO. 1118