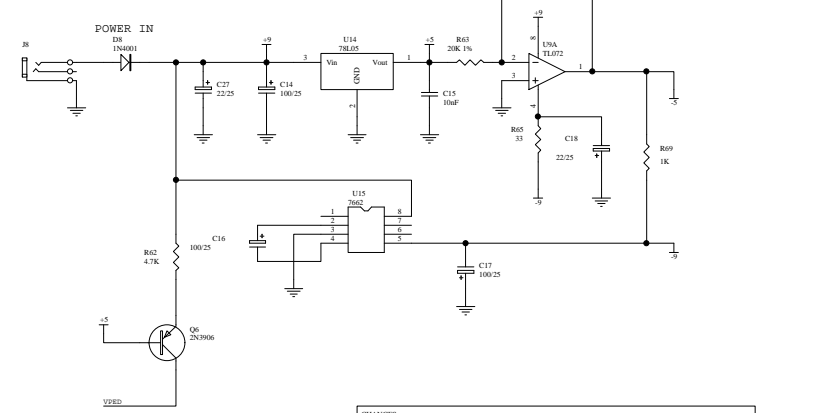
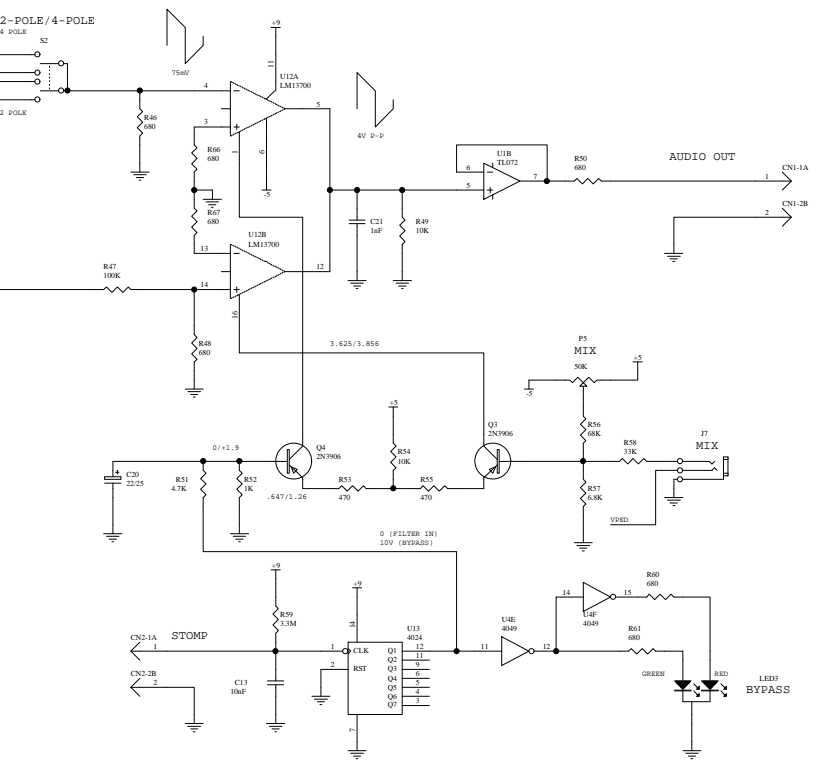
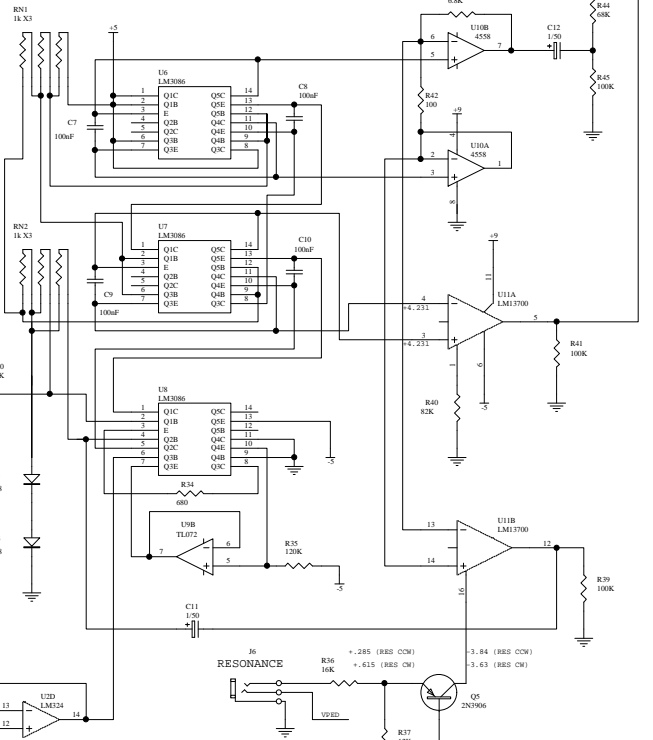
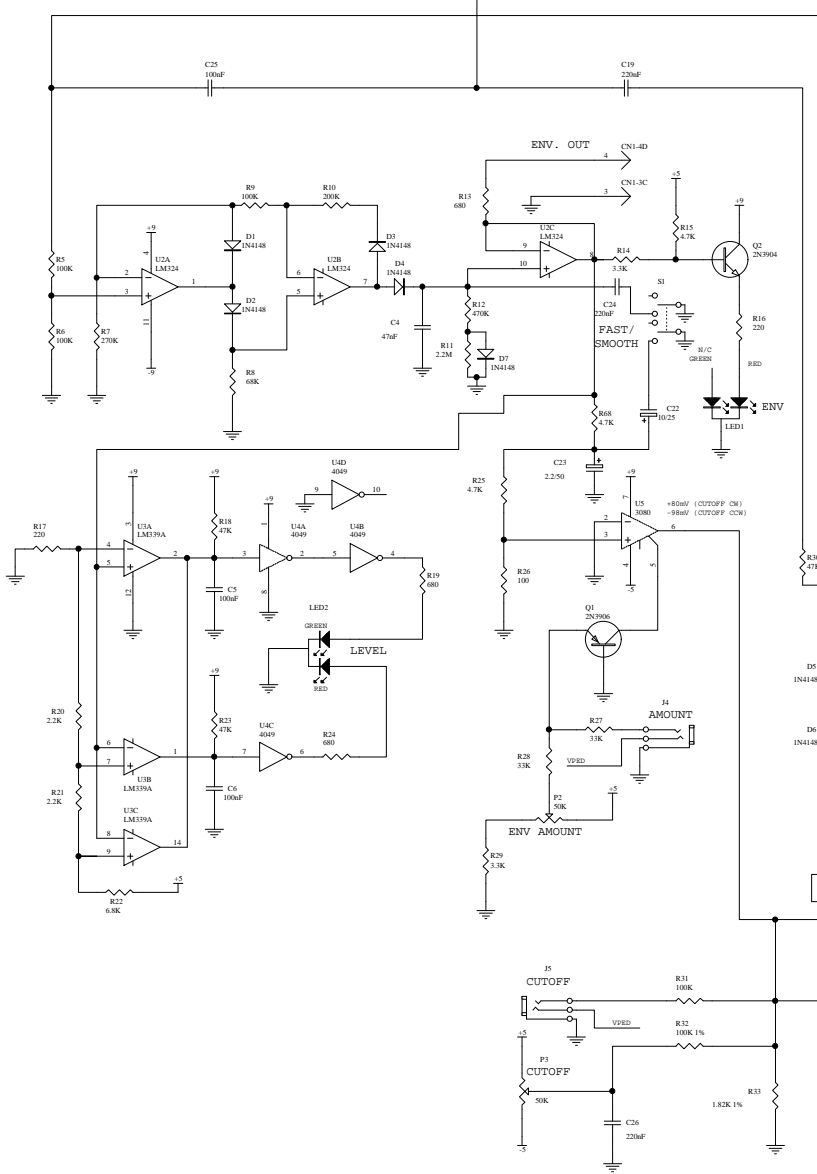


Test conditions:  
 Antenn. CCW  
 Smooth  
 Mix CW  
 Drive CCW  
 Cutoff CW  
 4.5dB

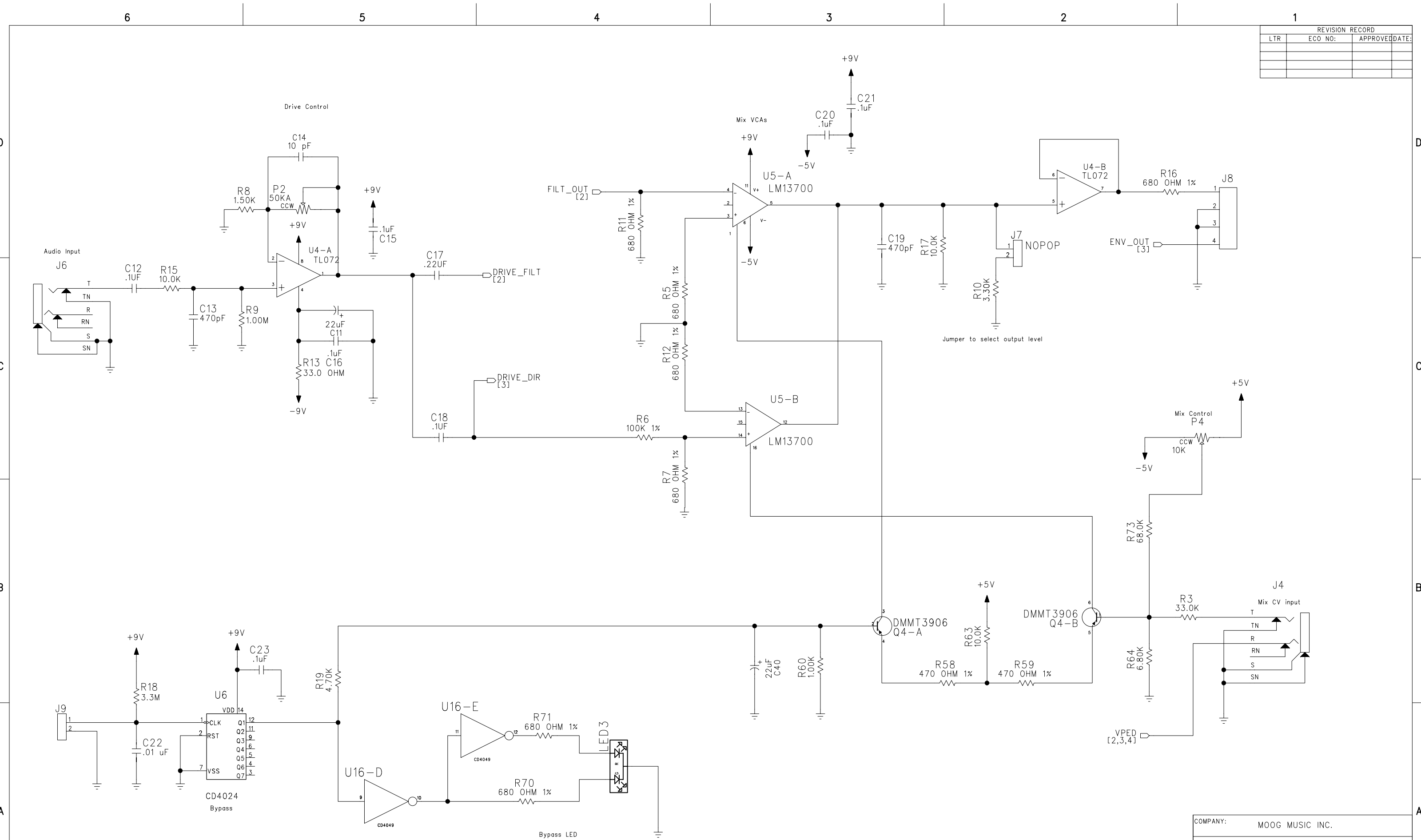
U6-3	-4.230
U6-7	-4.230
U6-9	-3.977
U6-10	-3.285
U7-1	-3.285
U7-9	-2.115
U7-10	-2.353
U7-11	-1.427
U8-2	-1.195
U8-3	-0.509
U8-4	-1.195
U8-7	-824
U8-8	-266
U8-10	-824



CHANGES:

DATE	12/2/98	R5 FROM 100K TO 82K
DATE	12/2/98	R17 FROM 220 TO 680
DATE	12/2/98	U1 FROM TL072 TO LF442CN
DATE	2/11/99	R15 FROM 100K TO 120K
DATE	2/11/99	R17 FROM 680 TO 220
DATE	2/11/99	U1 FROM LF442 TO TL072
DATE	2/11/99	ADDED D6 (2N4001)
DATE	2/11/99	R4 AND R 65 FROM 100 TO 33
DATE	2/11/99	ADDED R69 (1K)
DATE	2/11/99	ADDED C75 (100nF)
DATE	2/11/99	ADDED R108 (1K)
DATE	2/11/99	R11 FROM 2K TO 1.82K 1%
DATE	2/11/99	R12 FROM 100K TO 100K 1%
DATE	2/11/99	ADDED V81 (50K)
DATE	2/11/99	ADDED R70 (680K)
DATE	2/11/99	R4 FROM 220 TO 680
DATE	7/24/00	R41 FROM 2K TO 20K
DATE	7/24/00	R44 FROM 22K TO 220K
DATE	9/14/00	R41 FROM 20K TO 6.8K
DATE	9/14/00	R44 FROM 220K TO 68K
DATE	11/12/02	C6 FROM 2.2uF/25 TO 22nF
DATE	11/12/02	ADD C27 (2.2uF/25)

REVISION RECORD		
LTR	ECO NO:	APPROVED/DATE:



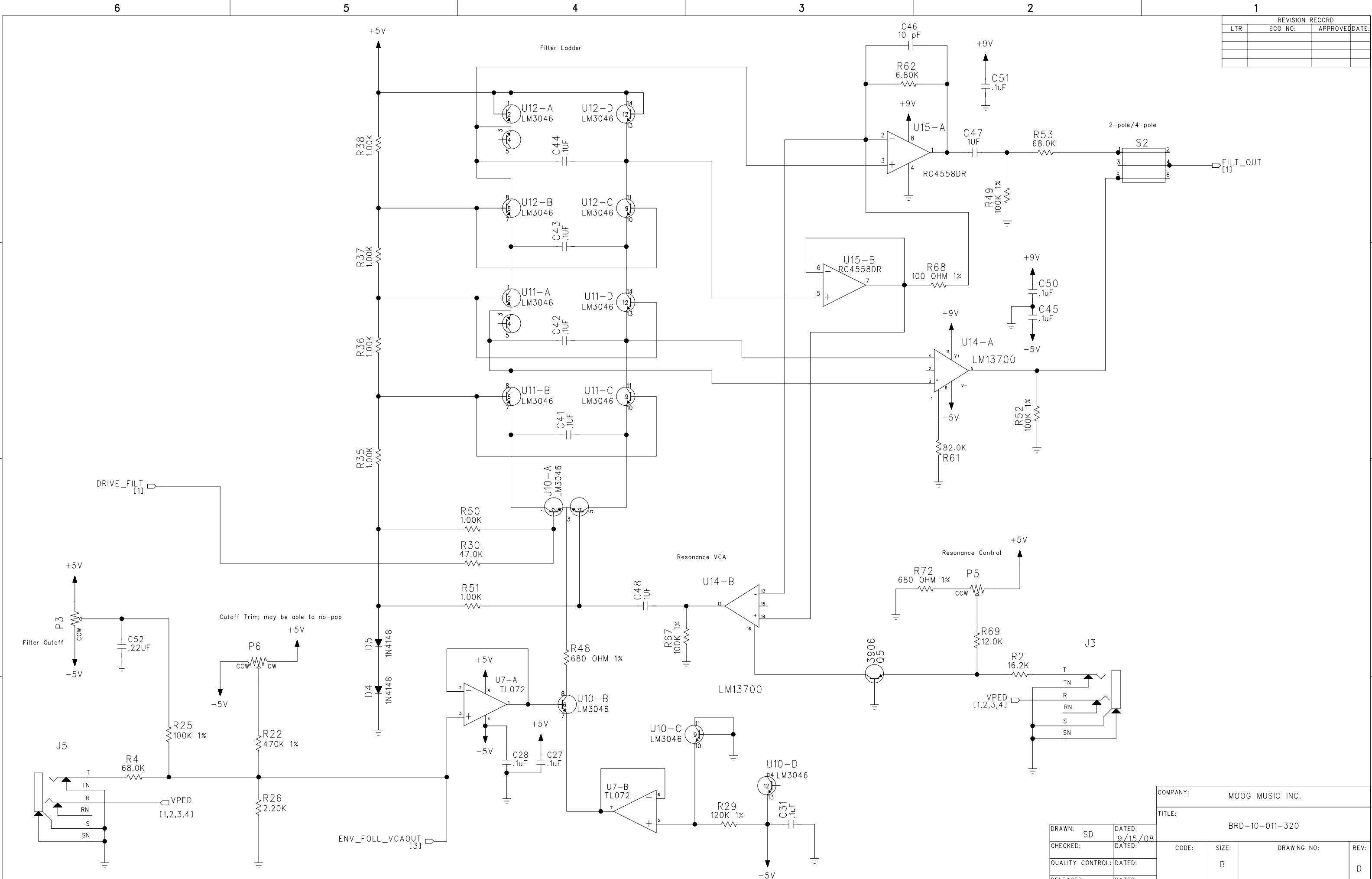
COMPANY: MOOG MUSIC INC.

TITLE: BRD-10-011-320

DRAWN: SD	DATED: 9/15/08
CHECKED:	DATED:
QUALITY CONTROL:	DATED:
RELEASED:	DATED:

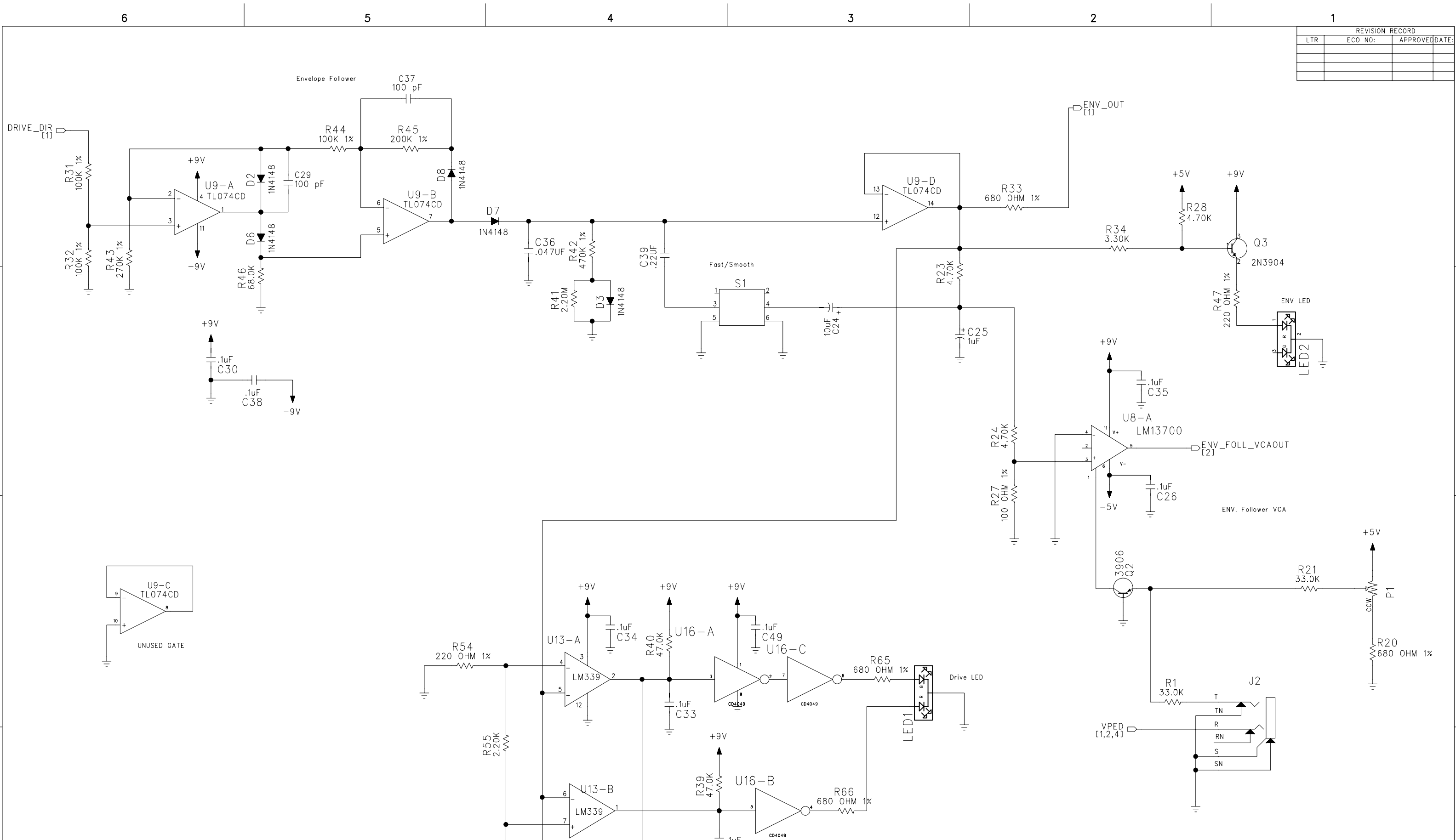
CODE:	SIZE: B	DRAWING NO:	REV: D
SCALE:			SHEET: 1 OF 4

REVISION RECORD		
LTR	ECO NO:	APPROVED/DATE:



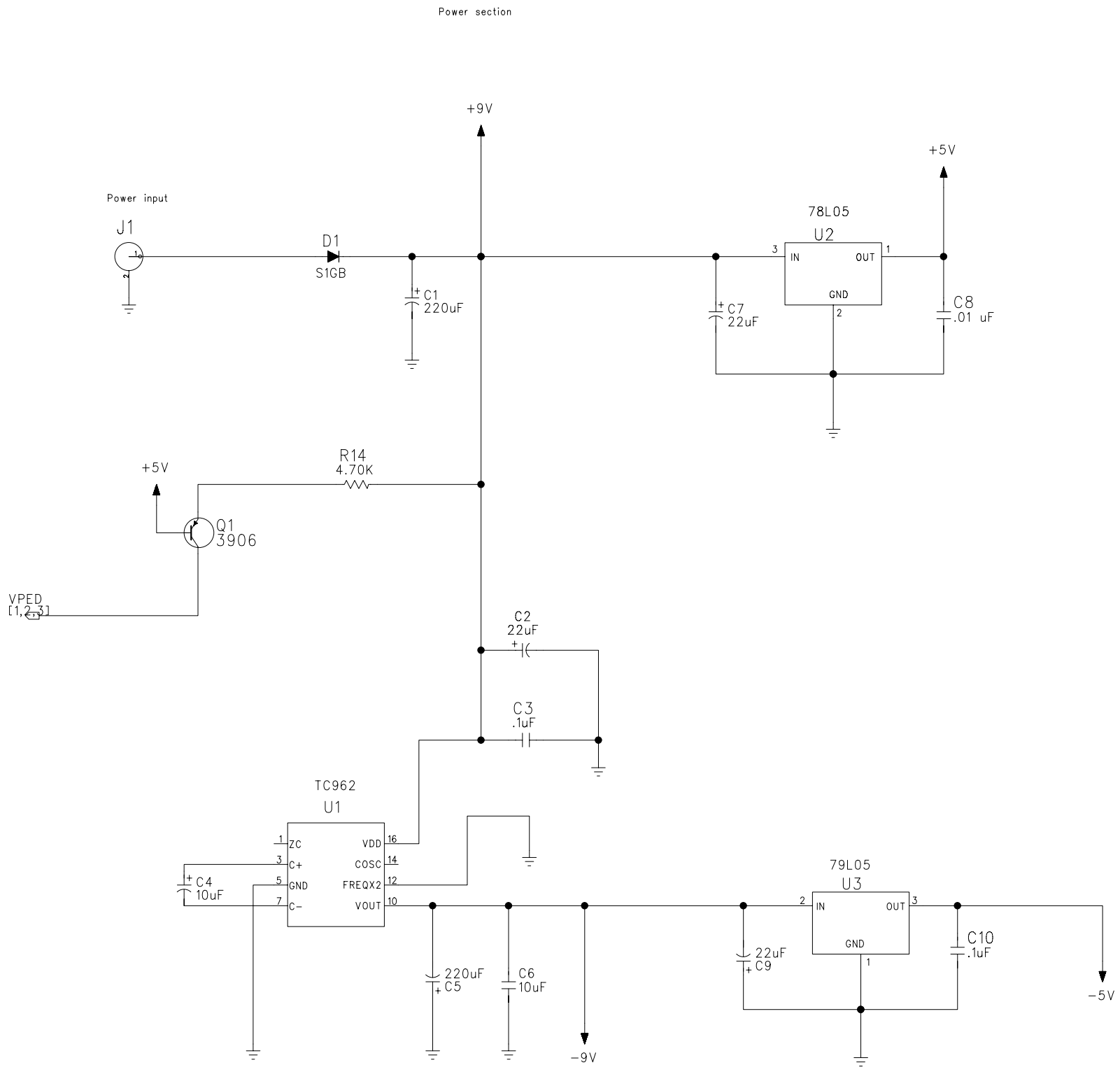
COMPANY:		MOOG MUSIC INC.	
TITLE:			
BRD-10-011-320			
CHECKED:	SD	DATED:	9/15/08
QUALITY CONTROL:		DATED:	
RELEASED:		DATED:	
CODE:	SIZE:	DRAWING NO:	REV:
	B		D
SCALE:			SHEET: 2 OF 4

REVISION RECORD		
LTR	ECO NO:	APPROVED/DATE:



COMPANY:		MOOG MUSIC INC.			
TITLE:		BRD-10-011-320			
DRAWN:	SD	DATED:	9/15/08	CODE:	
CHECKED:		DATED:		SIZE:	B
QUALITY CONTROL:		DATED:		DRAWING NO:	
RELEASED:		DATED:		REV:	D
SCALE:				SHEET: 3 OF 4	

REVISION RECORD		
LTR	ECO NO:	APPROVED DATE:

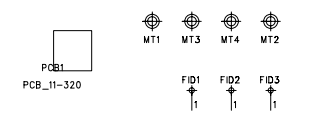


NOTES:

- REV C to D
- 1) REV D CHANGES THROUGH HOLE TO SURFACE MOUNT
- 2) CHANGE 7662 to TC962 (U1) (7662 Iout Max only 20mA)
- 3) ADD -5V REGULATOR (79L05) FOR -5V NET
- 4) ADD BYPASS CAPS TO ICS
- 5) CHANGE C12 TO .1 UF
- 6) ALL RESISTORS CHANGE TO 1% VALUES
- 7) TRANSISTOR PAIR FOR MIX VCA BECOMES DMMT 3906 MATCHED PNP PAIR
- 8) ADD R10 - J2 FOR SELECTING INSTRUMENT LEVEL OUTPUT SIGNAL
- 9) REPLACE CA3086 W/ LM3046
- 10) REPLACE CA3080 W/ 1/2 LM13700
- 11) LINEAR POTS CHANGE FROM 50K TO 10K
- 12) R20, R72 CHANGED TO 680 Ohm
- 13) C47, C48 CHANGED TO FILM
- 14) U9 CHANGED FROM LM324 TO TL074
- 15) LED2 BECOMES RED LED
- 16) C24, C25 BECOME TANTALUM
- 17) C2, C4, C5, C7, C9 CHANGED TO TANTALUM
- 18) U5 (now U4) CHANGED FROM TL074 TO TL072

REV D2 TO D3

- 1) ADD C14
- 2) C11 GETS LOW ESR
- 3) FIX DECAL FOR 22uF Tantalum
- 4) FIX DECAL FOR Q1, Q2, Q3, Q11,
- 5) ADD C46
- 6) CHANGE R4 TO 68K
- 7) CHANGE R22 TO 470K
- 8) CHANGE R26 TO 2.2K
- 9) CHANGE C41-C44 TO .1UF
- 10) Add C29, C37
- 11) Change R57 to 6.80K
- 12) Change LED2 back to bi-color (to match others)
- 13) Add C1 to filter PSU input
- 14) Ground pin 12 U9 (double clock speed)
- 15) Change C5 to LOW ESR Electrolytic
- 16) Change C4 to Low ESR 10uF
- 17) Add C6
- 18) Remove D9
- 19) Fix C40 Decal -change to 16V
- 20) NOPOP J2
- 21) Renumber ref des #'s



DRAWN: SD	DATED: 9/15/08
CHECKED:	DATED:
QUALITY CONTROL:	DATED:
RELEASED:	DATED:

COMPANY: MOOG MUSIC			
TITLE: BRD-10-011-320			
CODE:	SIZE: B	DRAWING NO:	REV: D
SCALE:			SHEET: 4 OF 4