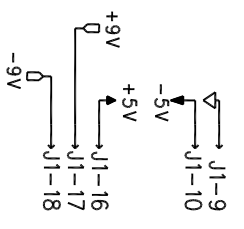
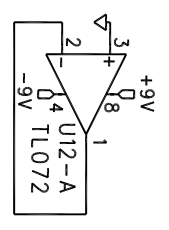
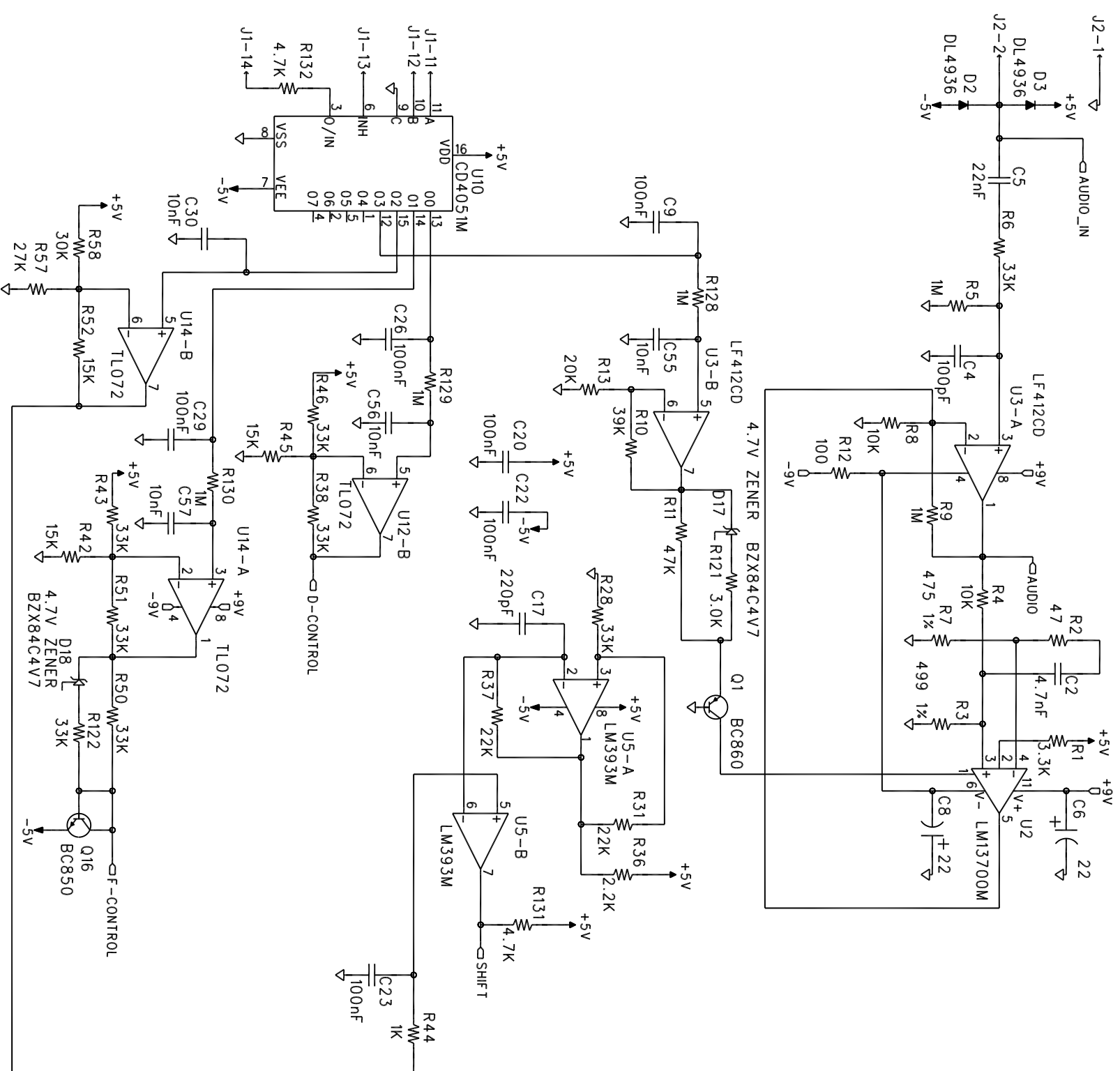


REVISION HISTORY			
REV/SHT	DESCRIPTION	DATE	ECCO/CHECKED
E ALL	RELEASE FOR PRODUCTION; ADDED R128, C55	5/14/04	-
- ALL	R58 WAS CHANGED FROM 30K TO 24K	6/15/04	-
G ALL	CHGD TL072 TO LF412CD, R60 & R97 WAS 100 OHM, ADD C55-C57 ADD R128-130, 3 PIN HEADER, U6 REPLACED BY U5 (LM393) C17, R28, R31, R36, R37 & R131 VALUES CHANGED.	7/8/04	133
H ALL	U3 CHGD TL072 TO LF412CD, REMOVE D8-D13, D15, D16	5/03/05	179



NOTES: UNLESS OTHERWISE SPECIFIED.
1.

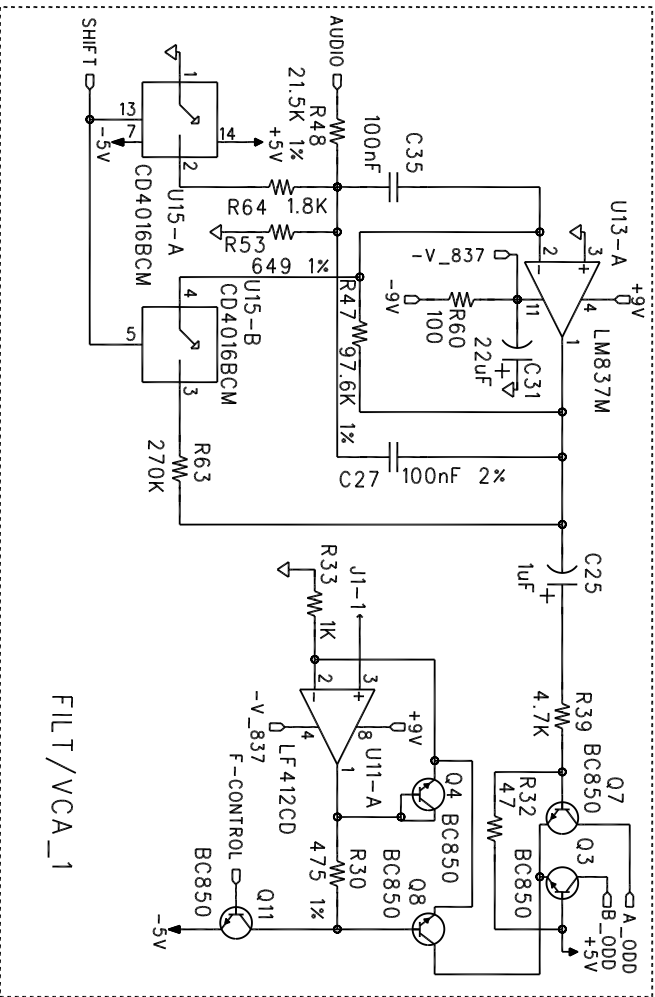
THIS DRAWING AND THE DESIGN SHOWN ARE THE PROPERTY OF MOOG MUSIC, INC. AND MAY NOT BE USED AS THE BASIS FOR MANUFACTURE OR SALE WITHOUT SPECIFIC WRITTEN PERMISSION OF MOOG MUSIC, INC.

		554-C Riverside Drive Asheville, NC 28801 Phone 828-251-0090; FAX 828-254-6233	
TITLE: MURF ANALOG PCB SCHEMATIC			
PART #: BRD-10-011-480	FILE NAME: BRD-10-011-480H.DWG		
SHEET: 1 of 4	PRODUCT NAME: MURF		
UPDATED BY: SD	CHECKED BY: BM		
DATE DRAWN: 5/03/05	DATE APPROVED: 5/03/05	SCALE: NTS	SIZE: B
		APPROVED BY: BM	REV: H

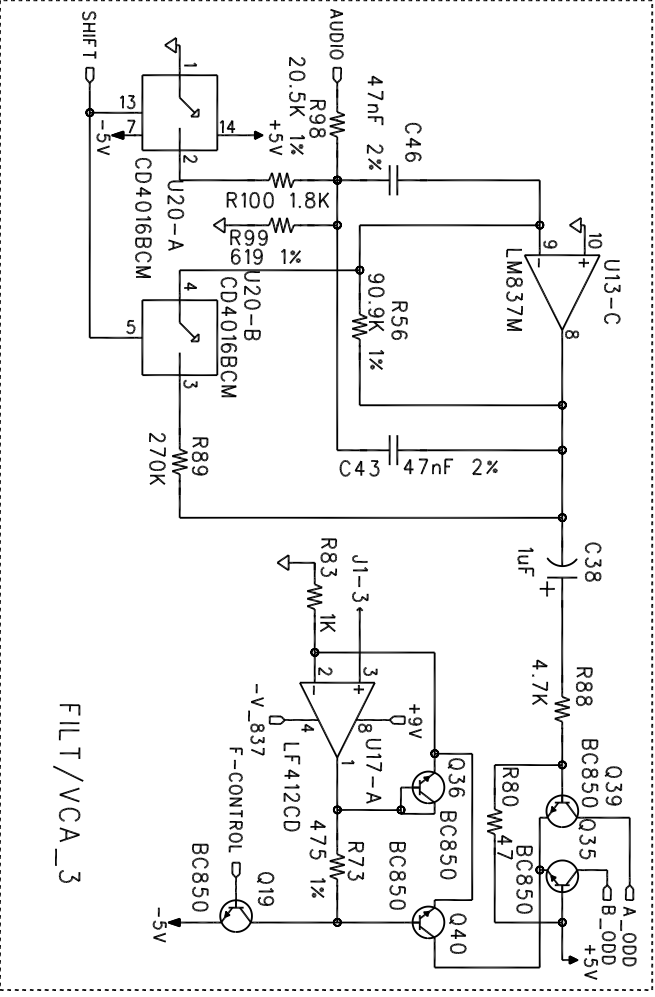
UNLESS OTHERWISE SPECIFIED DIMENSIONS ARE IN INCHES
 TOLERANCES:
 FRACTIONS ±1/32"
 ANGLES ±1°
 3 PLACE DECIMALS ±.005"
 2 PLACE DECIMALS ±.02"
 DRILLED HOLE TOLERANCE
 .040 - .125 DIA. +.002 -.001
 .126 - .228 DIA. +.003 -.001
 .229 - .500 DIA. +.004 -.001
 .500 - .750 DIA. +.005 -.001



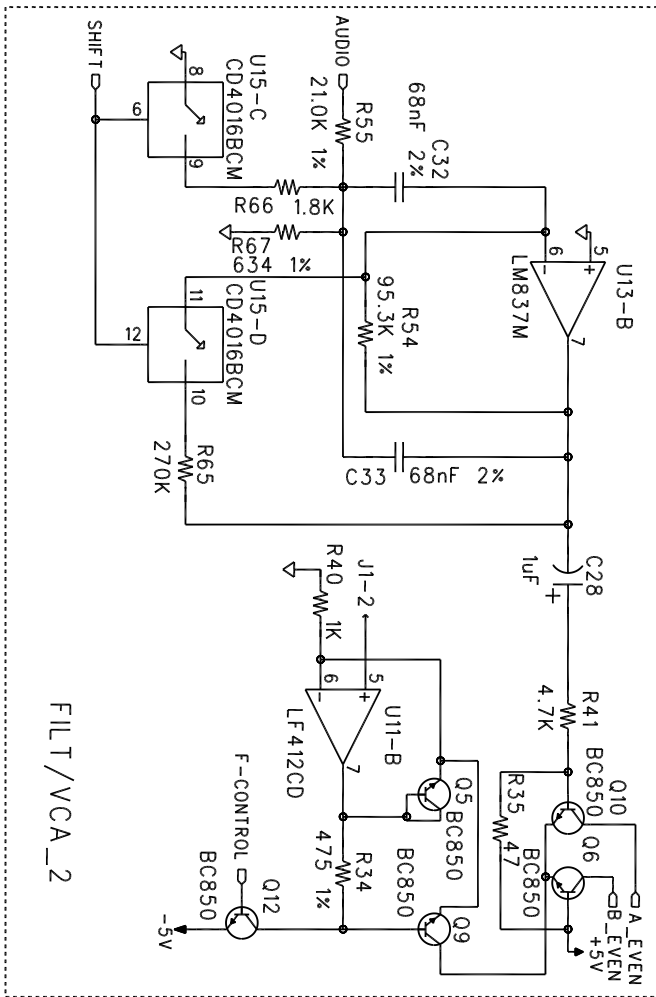
REVISION HISTORY		DATE	ECCHECKED
REV/SHT	DESCRIPTION		
E ALL	RELEASE FOR PRODUCTION, ADDED C56 THRU C59	6/1/04	-
G ALL	CHGD TL072 TO LF412, R60 & R97 WAS 100 OHM, ADD C55-C57 ADD R128-130, 3 PIN HEADER, U6 REPLACED BY U5 (LM393) C17, R28, R31, R36, R37 & R131 VALUES CHANGED.	7/8/04	133
H ALL	U3 CHGD TL072 TO LF412CD, REMOVE D8-D13, D15, D16	5/03/05	179



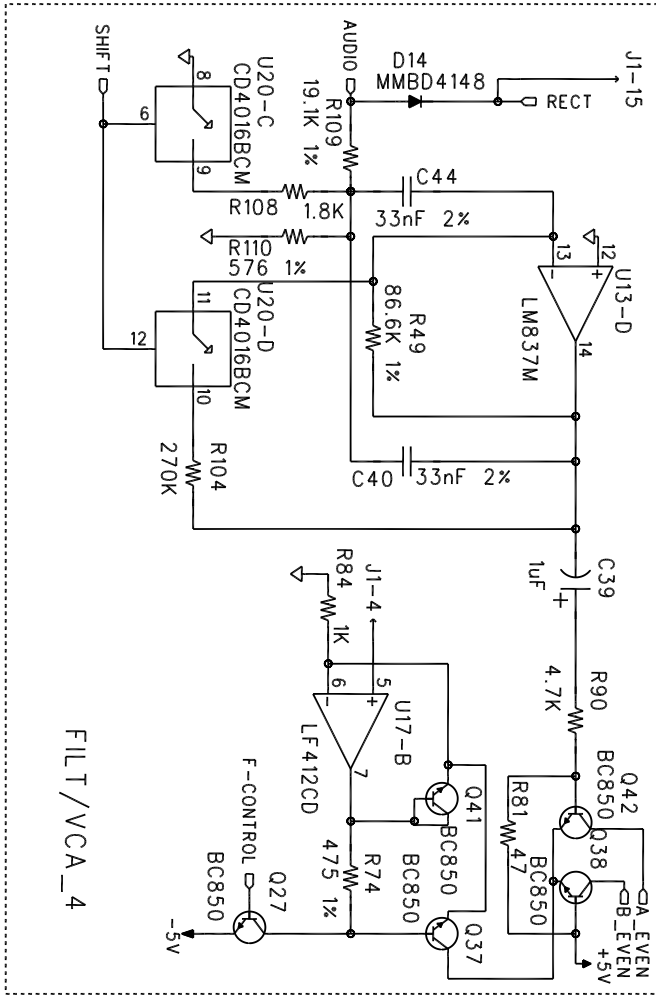
FILT/VCA_1



FILT/VCA_3



FILT/VCA_2

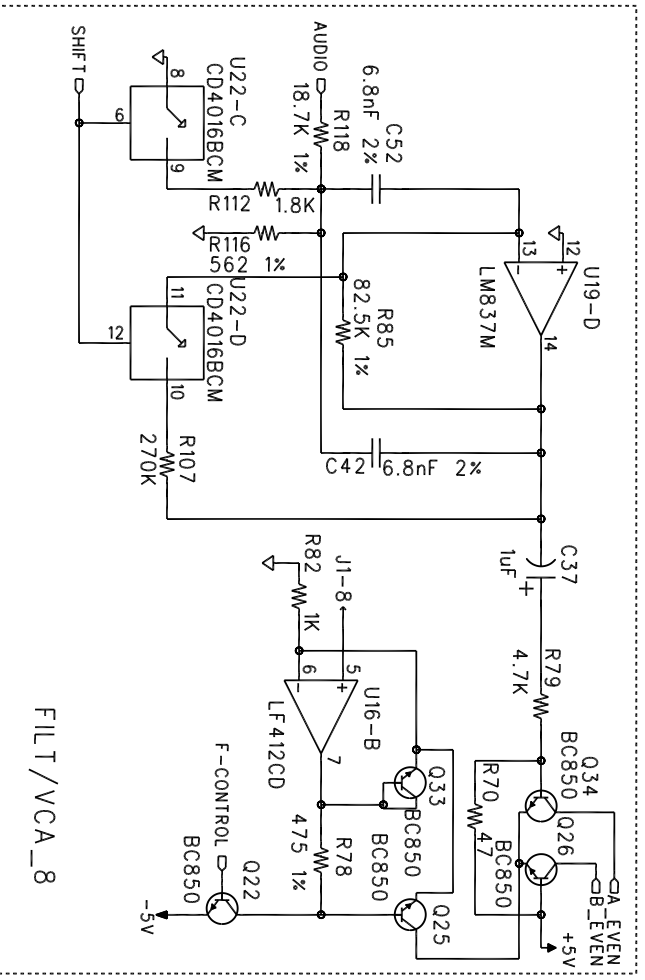
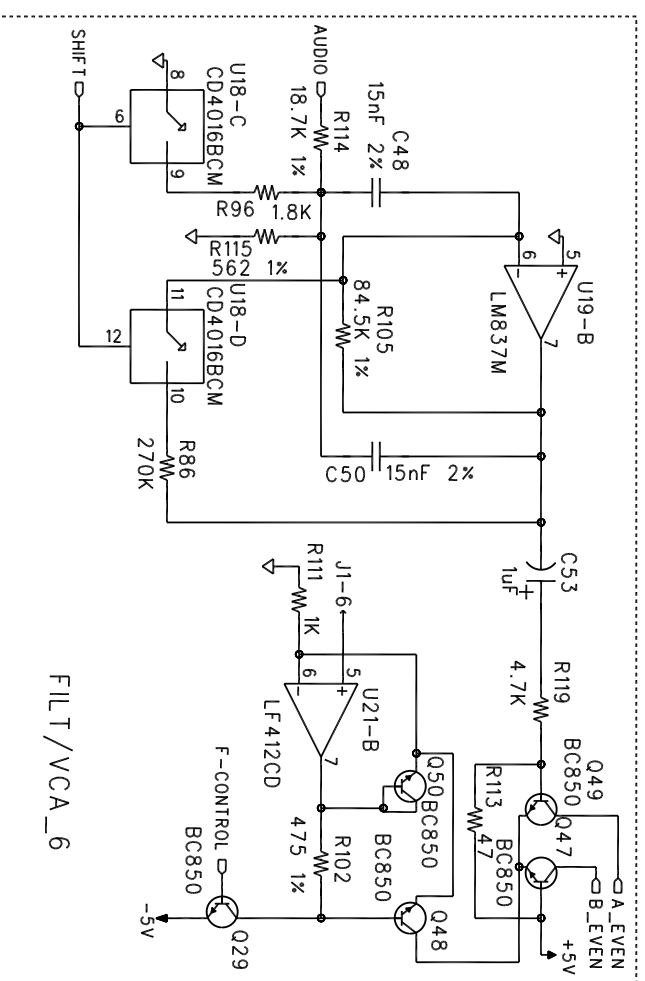
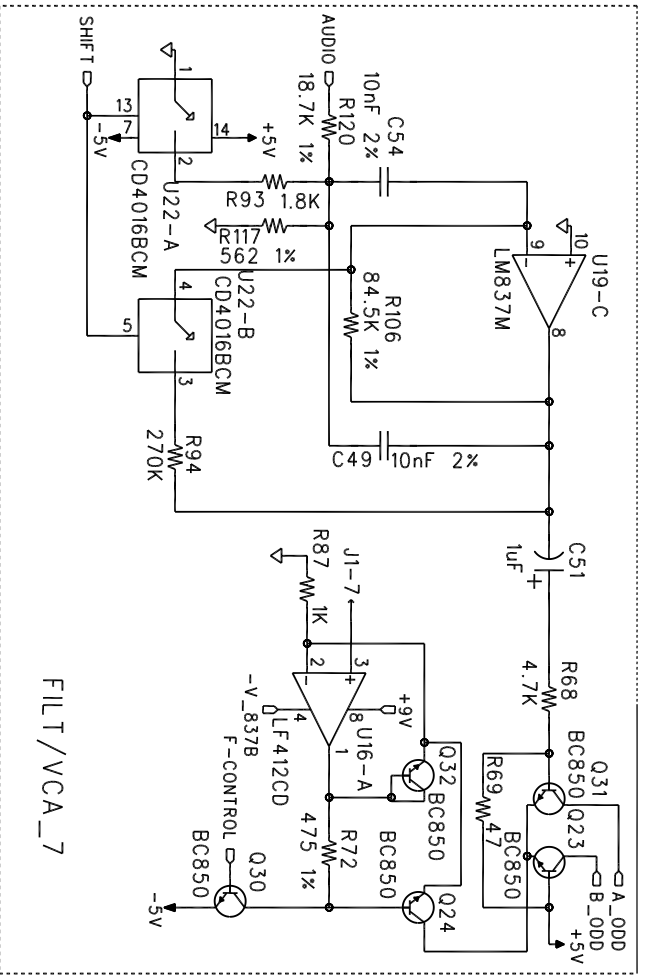
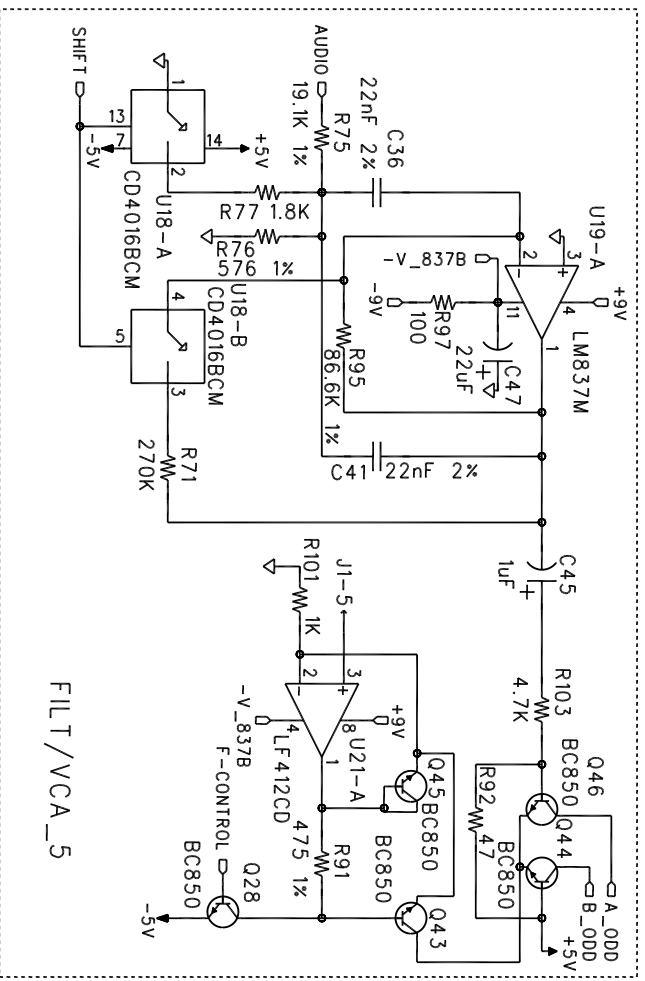


FILT/VCA_4

THIS DRAWING AND THE DESIGN SHOWN ARE THE PROPERTY OF MOOG MUSIC, INC. AND MAY NOT BE USED AS THE BASIS FOR MANUFACTURE OR SALE WITHOUT SPECIFIC WRITTEN PERMISSION OF MOOG MUSIC, INC.

<p>554-C Riverside Drive Asheville, NC 28801 Phone 828-251-0090; FAX 828-254-6233</p>		<p>TITLE: MURF ANALOG PCB SCHEMATIC</p>	
<p>PART #: BRD-10-011-480</p>	<p>FILE NAME: BRD-10-011-480H.DWG</p>	<p>SHEET: 2 of 4</p>	
<p>PRODUCT NAME: MURF</p>	<p>PRODUCT NAME: Multiple Resonance Filter Array</p>	<p>UPDATED BY: SD</p>	<p>CHECKED BY: BM</p>
<p>DATE DRAWN: 5/03/05</p>	<p>DATE APPROVED: 5/03/05</p>	<p>SCALE: 1:1</p>	<p>SIZE: B</p>
<p>DRILLED HOLE TOLERANCE .040 - .125 DIA. +.002 -.001 .126 - .228 DIA. +.003 -.001 .229 - .500 DIA. +.004 -.001 .500 - .750 DIA. +.005 -.001</p>		<p>APPROVED BY: BM</p>	<p>REV: H</p>

REVISION HISTORY			
REV/SHT	DESCRIPTION	DATE	ECO/CHECKED
E ALL	RELEASE FOR PRODUCTION, ADDED C60 THRU C63	6/1/04	-
G ALL	CHGD TL072 TO LF412, R60 & R97 WAS 100 OHM, ADD C55-C57 ADD R128-130, 3 PIN HEADER, U6 REPLACED BY U5 (LM393) C17, R28, R31, R36, R37 & R131 VALUES CHANGED.	7/8/04	133
H ALL	U3 CHGD TL072 TO LF412CD, REMOVE D8-D13, D15, D16	5/03/05	179



THIS DRAWING AND THE DESIGN SHOWN ARE THE PROPERTY OF MOOG MUSIC, INC. AND MAY NOT BE USED AS THE BASIS FOR MANUFACTURE OR SALE WITHOUT SPECIFIC WRITTEN PERMISSION OF MOOG MUSIC, INC.

THIRD ANGLE PROJECTION

UNLESS OTHERWISE SPECIFIED DIMENSIONS ARE IN INCHES

TOLERANCES:
FRACTIONS ±1/32"
ANGLES ±1°
3 PLACE DECIMALS ±.005"
2 PLACE DECIMALS ±.02"

DRILLED HOLE TOLERANCE
.040 - .125 DIA. +.002 -.001
.126 - .228 DIA. +.003 -.001
.229 - .500 DIA. +.004 -.001
.500 - .750 DIA. +.005 -.001

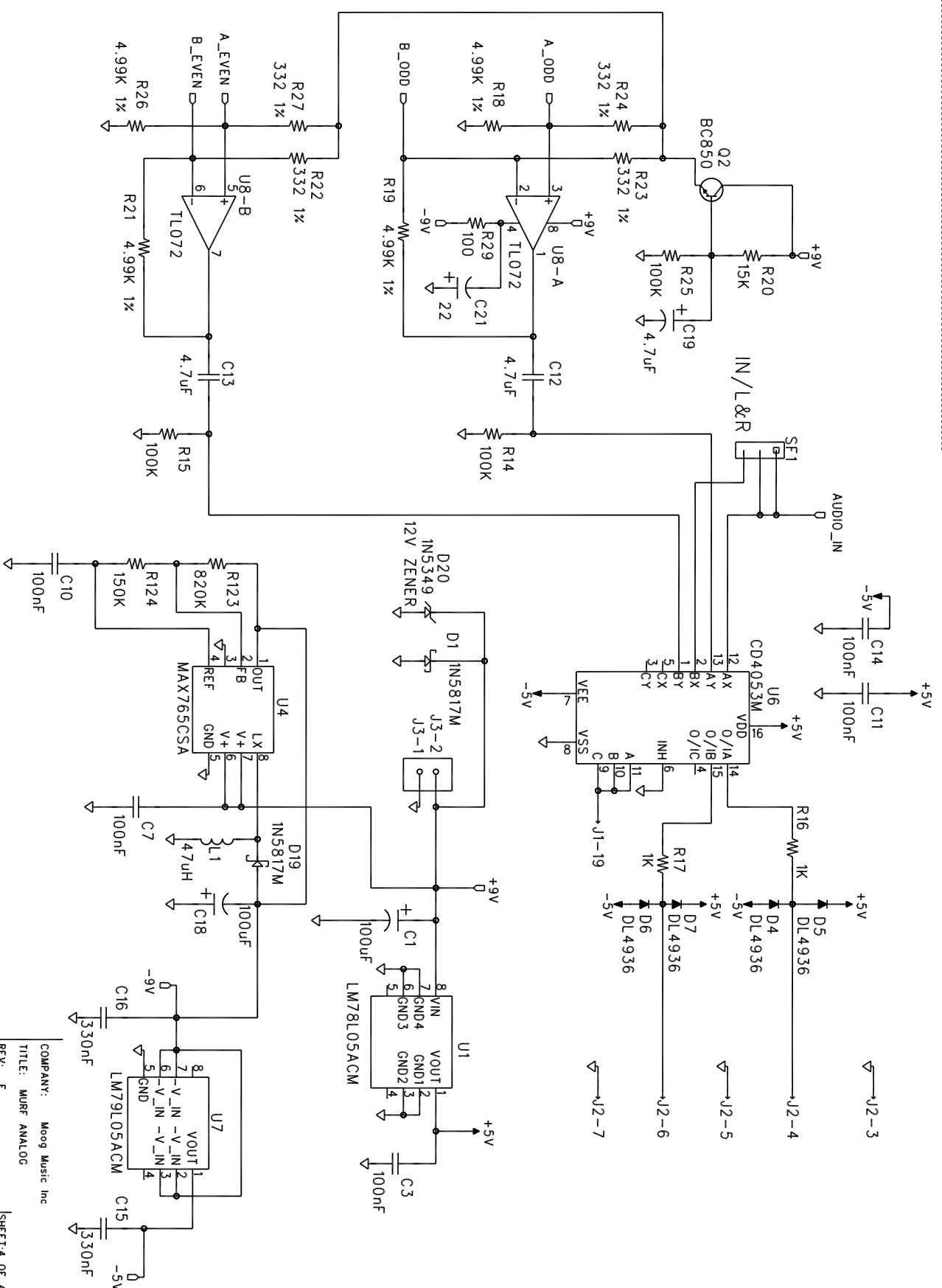
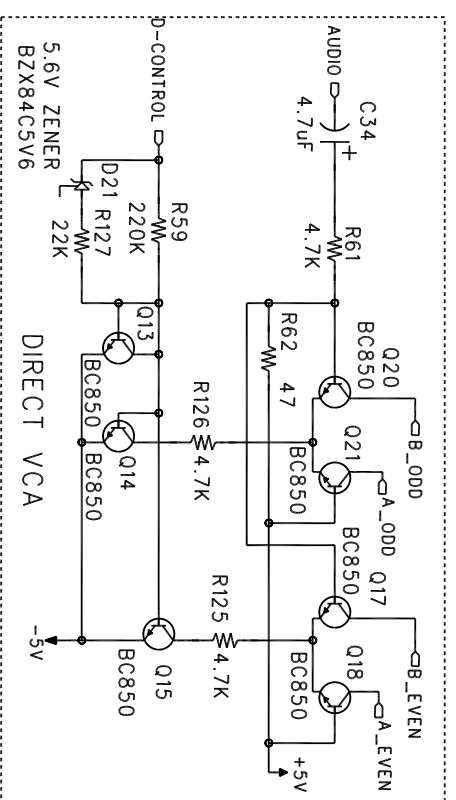
moog®
Music Inc

554-C Riverside Drive
Asheville, NC 28801
Phone 828-251-0090; FAX 828-254-6233

TITLE: MURF ANALOG PCB SCHEMATIC

PART #:	BRD-10-011-480	FILE NAME:	BRD-10-011-480H.DWG
SHEET:	3 of 4	PRODUCT NAME:	MURF Multiple Resonance Filter Array
UPDATED BY:	SD	CHECKED BY:	BM
DATE DRAWN:	5/03/05	DATE APPROVED:	5/03/05

REVISION HISTORY			
REV/SHT	DESCRIPTION	DATE	ECO/CHECKED
E ALL	RELEASE FOR PRODUCTION: R59 WAS 33K, R127 WAS 3.3K	6/1/04	-
G ALL	CHGD TL072 TO LF412, R60 & R97 WAS 100 OHM, ADD C55-C57 ADD R128-130, 3 PIN HEADER, U6 REPLACED BY U5 (LM393) C17, R28, R31, R36, R37 & R131 VALUES CHANGED.	7/8/04	133
H ALL	U3 CHGD TL072 TO LF412CD, REMOVE D8-D13, D15, D16	5/03/05	179



COMPANY: Moog Music Inc
 TITLE: MURF ANALOG
 REV: F
 SHEET: 4 OF 4

THIS DRAWING AND THE DESIGN SHOWN ARE THE PROPERTY OF MOOG MUSIC, INC. AND MAY NOT BE USED AS THE BASIS FOR MANUFACTURE OR SALE WITHOUT SPECIFIC WRITTEN PERMISSION OF MOOG MUSIC, INC.

THIRD ANGLE PROJECTION

UNLESS OTHERWISE SPECIFIED DIMENSIONS ARE IN INCHES

TOLERANCES:
 FRACTIONS ±1/32"
 ANGLES ±1°
 3 PLACE DECIMALS ±.005"
 2 PLACE DECIMALS ±.02"

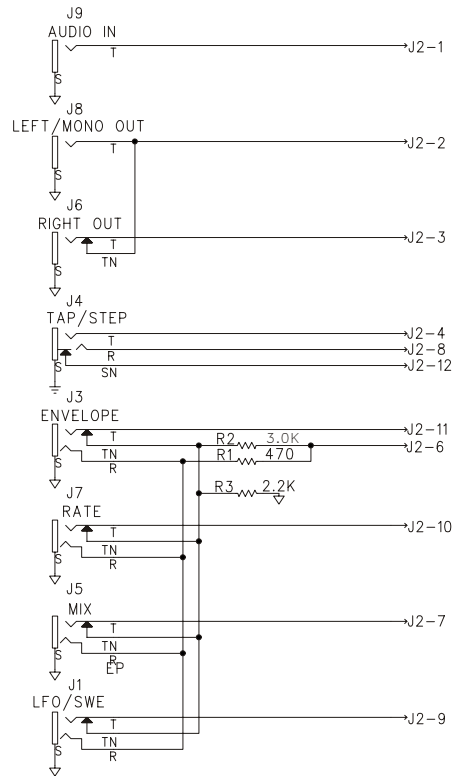
DRILLED HOLE TOLERANCE
 .040 - .125 DIA. +.002 -.001
 .126 - .228 DIA. +.003 -.001
 .229 - .500 DIA. +.004 -.001
 .500 - .750 DIA. +.005 -.001

554-C Riverside Drive
 Asheville, NC 28801
 Phone 828-251-0090; FAX 828-254-6233

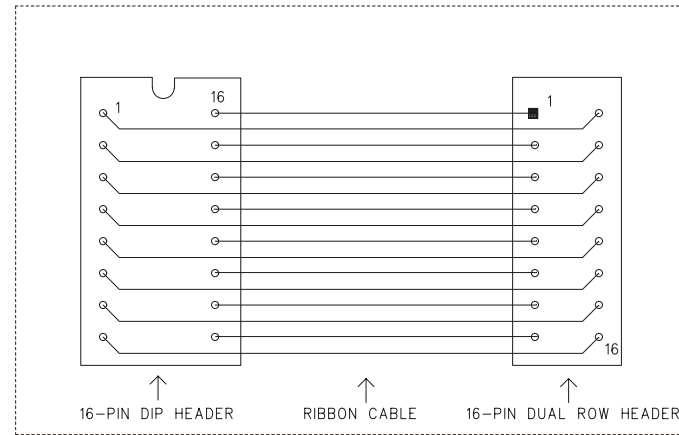
TITLE: MURF ANALOG PCB SCHEMATIC

PART #:	BRD-10-011-480	FILE NAME:	BRD-10-011-480H.DWG
SHEET:	4 of 4	PRODUCT NAME:	MURF Multiple Resonance Filter Array
UPDATED BY:	SD	CHECKED BY:	BM
DATE DRAWN:	5/03/05	DATE APPROVED:	5/3/05

REVISION HISTORY				
REV	SHT	DESCRIPTION	DATE	CHECKED
B	ALL	RELEASE NEW ; R2 WAS 2.2K	6/1/04	



SCHEMATIC REPRESENTATION OF J2



DIP HEADER IS SOLDERED ON TO JACK BOARD

DUAL ROW HEADER PLUGS IN TO DIGITAL BOARD HEADER

THIRD
ANGLE
PROJECTION



UNLESS OTHERWISE SPECIFIED
DIMENSIONS ARE INCHES
TOLERANCES:
FRACTIONS $\pm 1/32"$
ANGLES $\pm 1^\circ$
3 PLACE DECIMALS $\pm .005"$
2 PLACE DECIMALS $\pm .02"$

DRILLED HOLE TOLERANCE
.040 - .125 DIA. $+.002 - .001$
.126 - .228 DIA. $+.003 - .001$
.229 - .500 DIA. $+.004 - .001$
.500 - .750 DIA. $+.005 - .001$

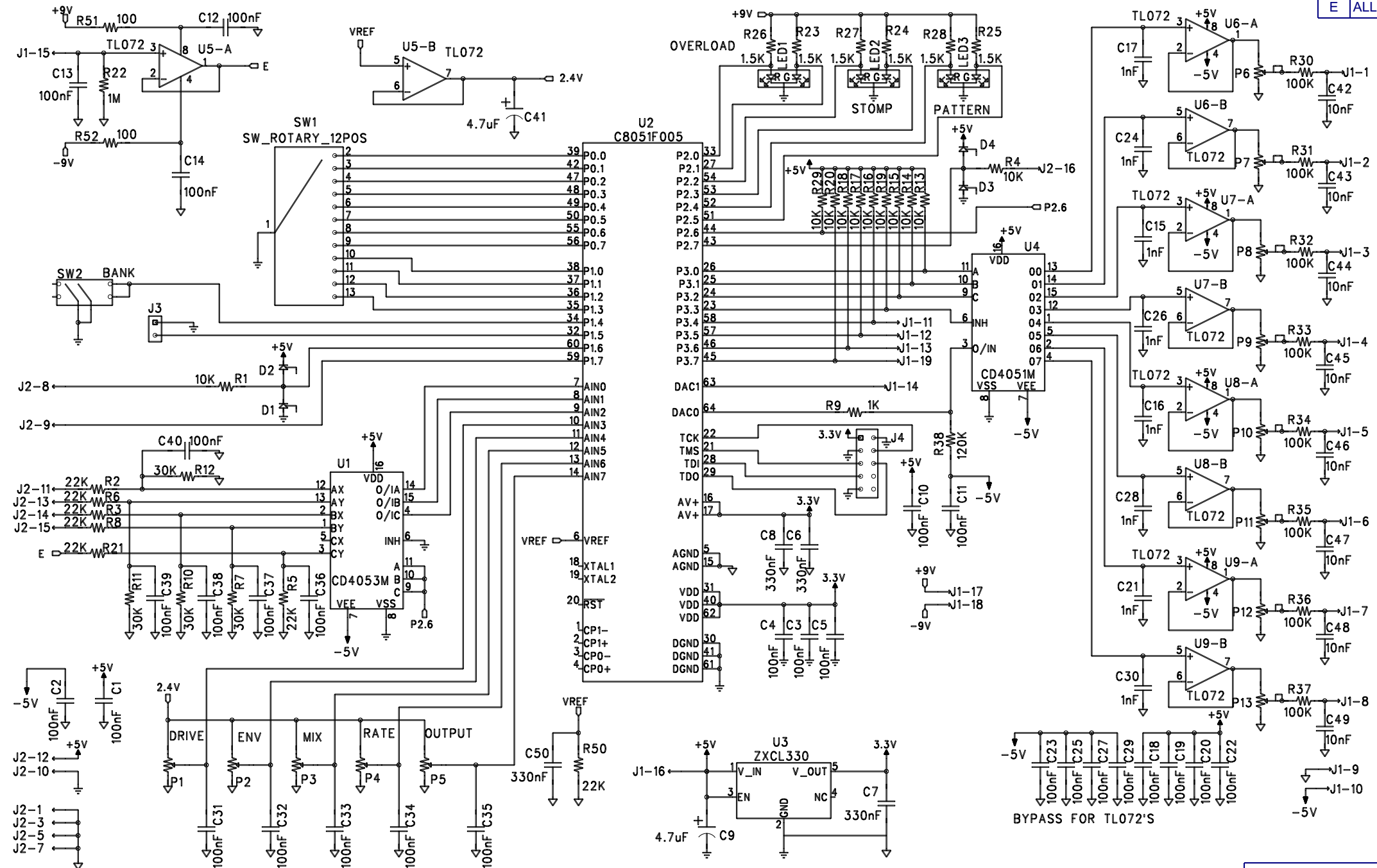
THIS DRAWING AND THE DESIGN SHOWN ARE THE PROPERTY OF MOOG MUSIC, INC. AND MAY NOT BE USED AS THE BASIS FOR MANUFACTURE OR SALE WITHOUT SPECIFIC WRITTEN PERMISSION OF MOOG MUSIC, INC.



554-C Riverside Drive
Asheville, NC 28801
Phone 828-251-0090; FAX 828-254-6233

TITLE: MuRF JACK BOARD SCHEMATIC				
PART #: BRD-10-011-490		FILE NAME: BRD-10-011-490B.CDR		
SHEET: 1 OF 1		PRODUCT NAME: MuRF		
DRAWN BY: TF		CHECKED BY: BM		APPROVED BY: BM
DATE DRAWN: 3/31/04		DATE APPROVED: 3/31/04		SCALE: NTS
		SIZE: A	REV: B	

REVISION HISTORY					
REV	SHT	DESCRIPTION	DATE	ECO	CHECKED
C	ALL	RELEASE FOR PRODUCTION; R7, R10, R11, R12 WERE 22K	6/1/04	-	
E	ALL	ADD C42-49, R30-37, R38, CHG CAPACITORS TO CERAMIC	7/08/04	133	



NOTES: UNLESS OTHERWISE SPECIFIED.

THIS DRAWING AND THE DESIGN SHOWN ARE THE PROPERTY OF MOOG MUSIC, INC. AND MAY NOT BE USED AS THE BASIS FOR MANUFACTURE OR SALE WITHOUT SPECIFIC WRITTEN PERMISSION OF MOOG MUSIC, INC.

THIRD ANGLE PROJECTION

UNLESS OTHERWISE SPECIFIED DIMENSIONS ARE IN INCHES

TOLERANCES:
 FRACTIONS ±1/32"
 ANGLES ±1°
 3 PLACE DECIMALS ±.005"
 2 PLACE DECIMALS ±.02"

DRILLED HOLE TOLERANCE
 .040 - .125 DIA. +.002 -.001
 .126 - .228 DIA. +.003 -.001
 .229 - .500 DIA. +.004 -.001
 .500 - .750 DIA. +.005 -.001

moog MUSIC IN

554-C Riverside Drive
 Asheville, NC 28801
 Phone 828-251-0090; FAX 828-254-6233

TITLE:
MuRF DIGITAL PCB SCHEMATIC

PART #: **BRD-10-011-485** FILE NAME: **BRD-10-011-485E.DWG**

SHEET: **1** PRODUCT NAME: **MuRF Multiple Resonance Filter Array**

DRAWN BY: **TF** CHECKED BY: **BM** APPROVED BY: **BM**

DATE DRAWN: **4/19/04** DATE APPROVED: **4/19/04** SCALE: **NTS** SIZE: **B** REV: **E**