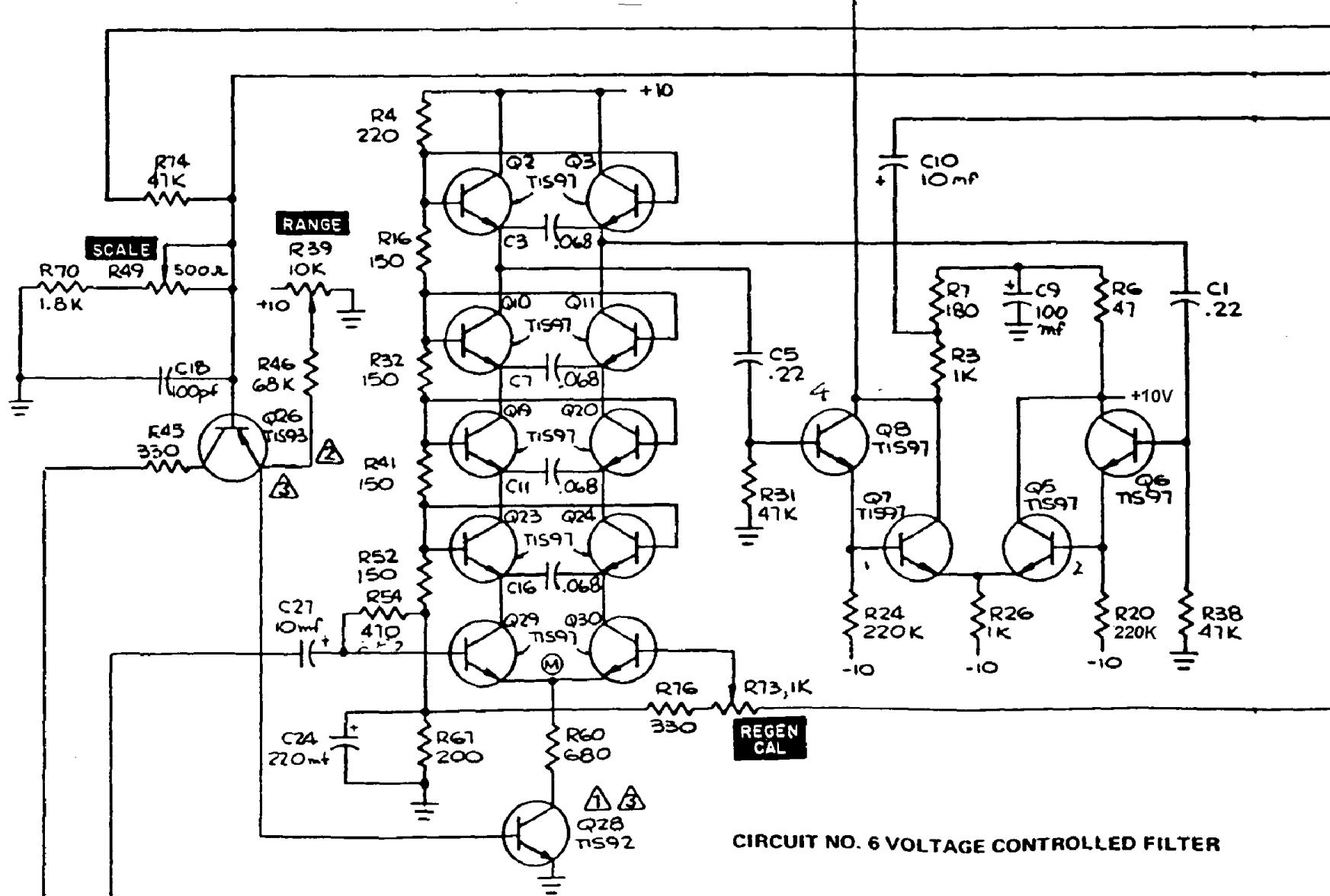


to VCA

- ①6 AMT OF CONTOUR
- ⑤ CONTROL NODE
- ⑦ EMPHASIS



- NOTES:**
1. UNLESS OTHERWISE SPECIFIED—
ALL RESISTOR VALUES ARE IN OHMS 1/4W, ± 5%.
ALL CAPACITOR VALUES ARE IN MFD (uf).
 - ① ALTERNATE FOR TIS92, 2N3904.
 - ② ALTERNATE FOR TIS93, 2N3906.
 - ③ Q26 & Q28 MATCHED TO ± 3mV at 20mA.
 - ④ C17, C25 SELECTED 600-1200 Pf.

CIRCUIT NO. 6 VOLTAGE CONTROLLED FILTER

- 10V ⑧ ③
- ④ AUDIO INPUT

- ⑥ EMPHASIS