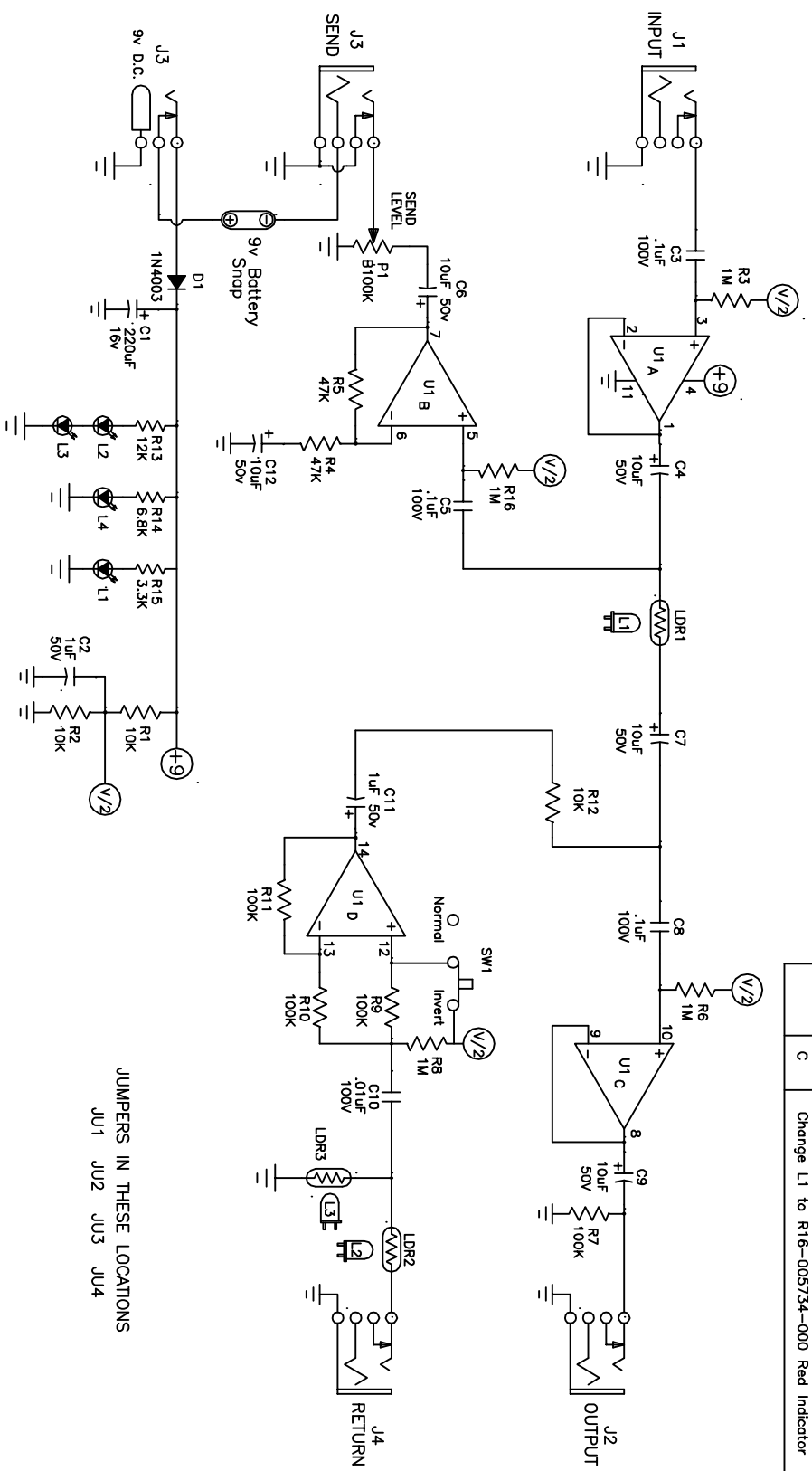


REVISIONS				
ZONE	REV	DESCRIPTION	DATE	APPROVED
	A	ORIGINAL	2-26-07	S.F.
	B	MODIFIED SEND CIRCUIT	4-17-08	S.F.
	C	Change L1 to R16-005734-000 Red Indicator	7-17-08	S.F.



JUMPERS IN THESE LOCATIONS  
 JU1 JU2 JU3 JU4

- U1 = TI074
- L2,L3 = LED RED DIFFUSED M16-005734-000
- L1,L4 = LED RED INDICATOR M16-005734-000
- LDR1,LDR2,LDR3 = M79-211564-000 L-ON 150-200
- PCB = M23-101110-000 FXB Blender

THIS PRINT  
 HAS BEEN APPROVED  
 FOR PRODUCTION  
 APPROVED: S.F. DATE: 7/17/08

This drawing and the information contained herein is the exclusive property of Sound Enhancements Inc. Reproduction or use of this information in any form, without our prior written approval, is prohibited.

UNLESS OTHERWISE SPECIFIED:  
 ALL RESISTORS 1/4W  
 ALL RESISTORS +/- 5%



SOUND ENHANCEMENT PRODUCTS, INC.  
 329 Cary Point Dr., Cary, IL 60015  
 (847) 639-4646

FX Blender (FXB)  
 Effects Blender

DATE	3-29-07	SCALE	N.T.S.	STATUS	CURRENT
DRAWN	SCOTT FLESHER	SIZE	FSCM NO.	FILE NAME	schm1fxb.dwg
PART NO.	201-000110-000	REV			C