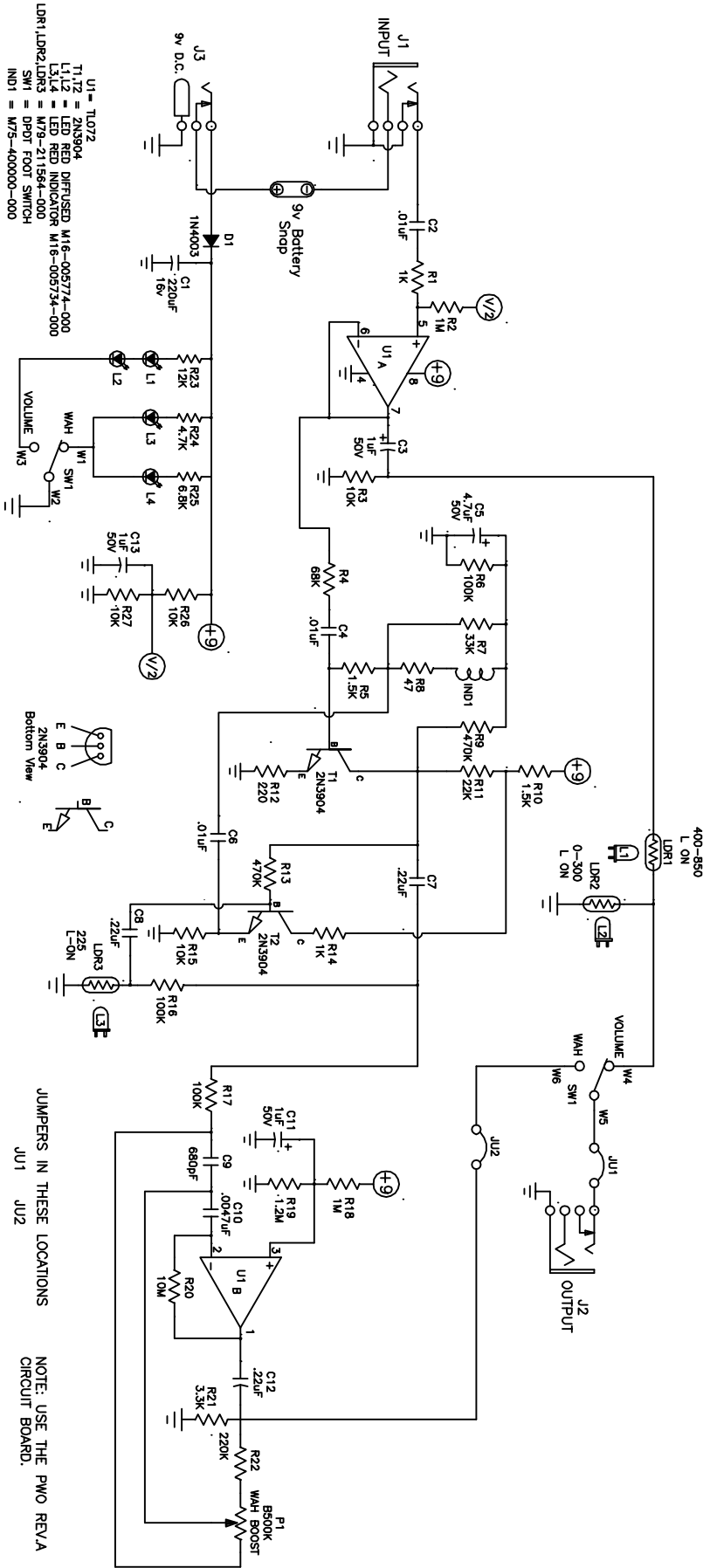


REVISIONS				
ZONE	REV	DESCRIPTION	DATE	APPROVED
	A	ORIGINAL	11-21-05	S.F.



THIS PRINT
HAS BEEN APPROVED
FOR PRODUCTION
APPROVED: S.F. DATE: 11/22/05

UNLESS OTHERWISE SPECIFIED:
ALL RESISTORS 1/4W
ALL RESISTORS +/- 5%

MORLEY

SOUND ENHANCEMENT PRODUCTS, INC.
325 Cary Point Dr., CARY IL. 60013
(847) 639-4646

POWER WAH VOLUME (PWOV)

This drawing and the information contained herein is the exclusive property of Sound Enhancements Inc. Reproduction or use of this information in any form, without our prior written approval, is prohibited.

DRAWN SCOTT FLEISHER
Part No. 203-000106-000
DATE 11-21-2005

SIZE FSCM NO. FILE NAME REV
A schmpwov.dwg A

SCALE N.T.S. STATUS CURRENT