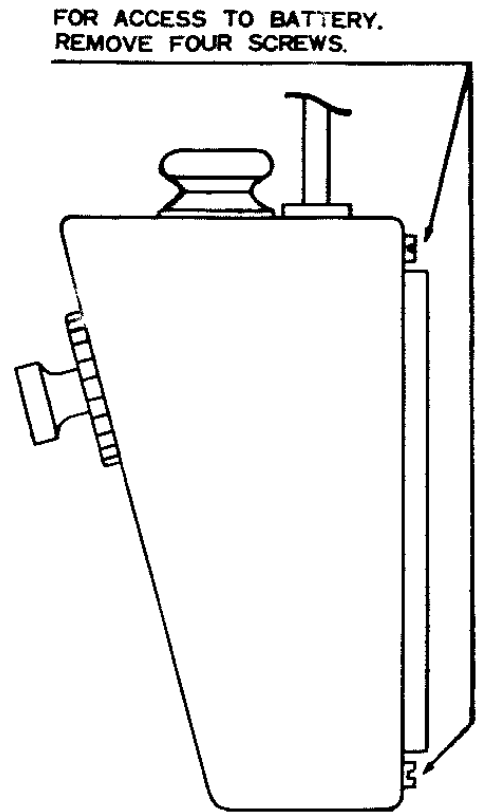
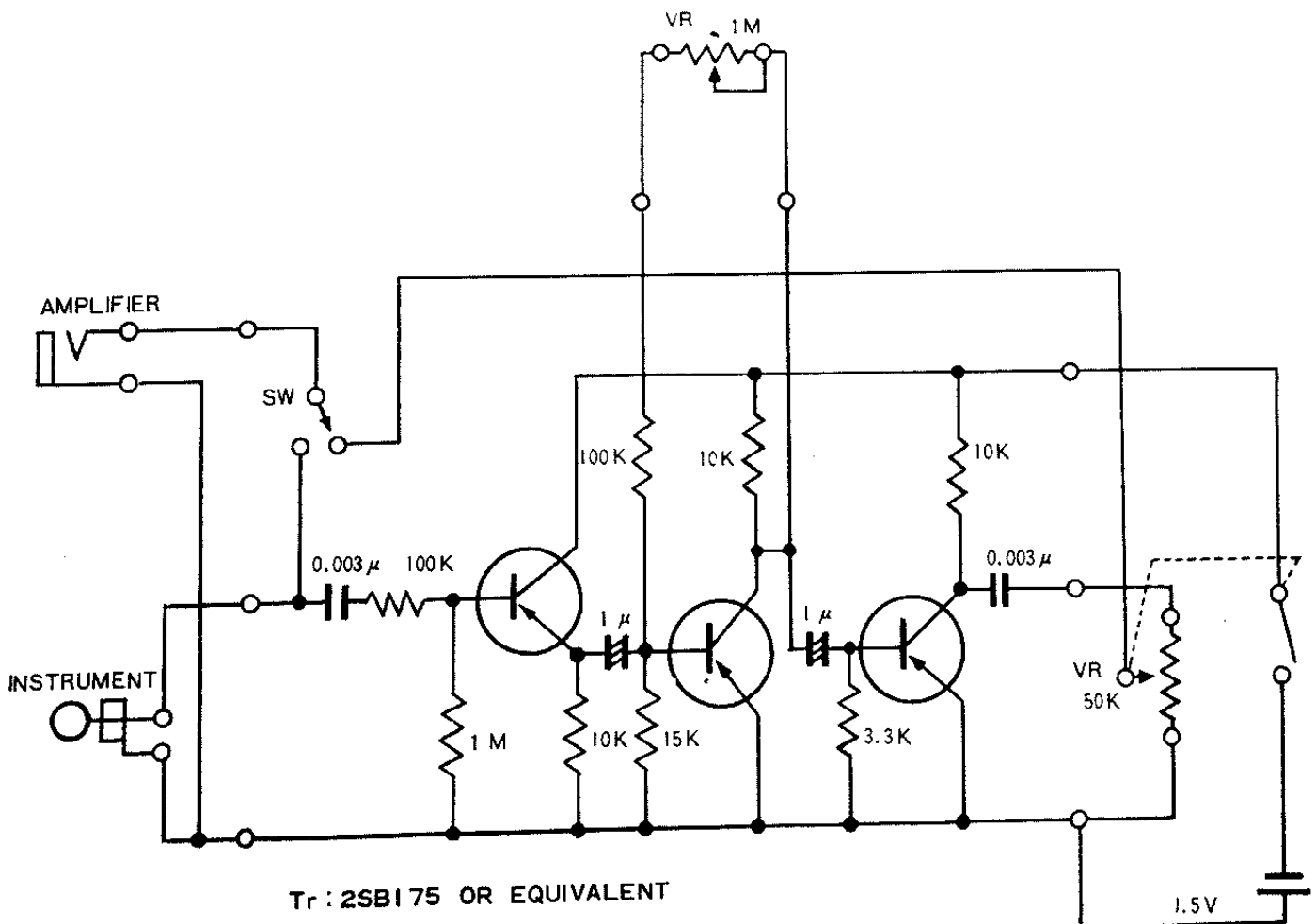


TOP VIEW



SIDE VIEW



Tr: 2SB175 OR EQUIVALENT

SCHEMATIC DIAGRAM