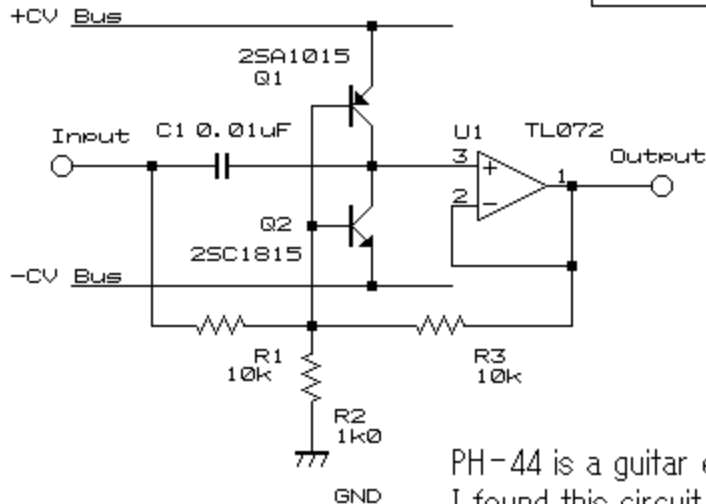


Pearl Phaser PH-44 Core Part

Drawing by Osamu HOSHUYAMA
Jul. 1st, 2000



PH-44 is a guitar effector produced by Pearl.
I found this circuit on a magazine in mid 80s.
Q1 and Q2 work as an OTA.
LPF and HPF are also possible.
State variable filter may be possible.