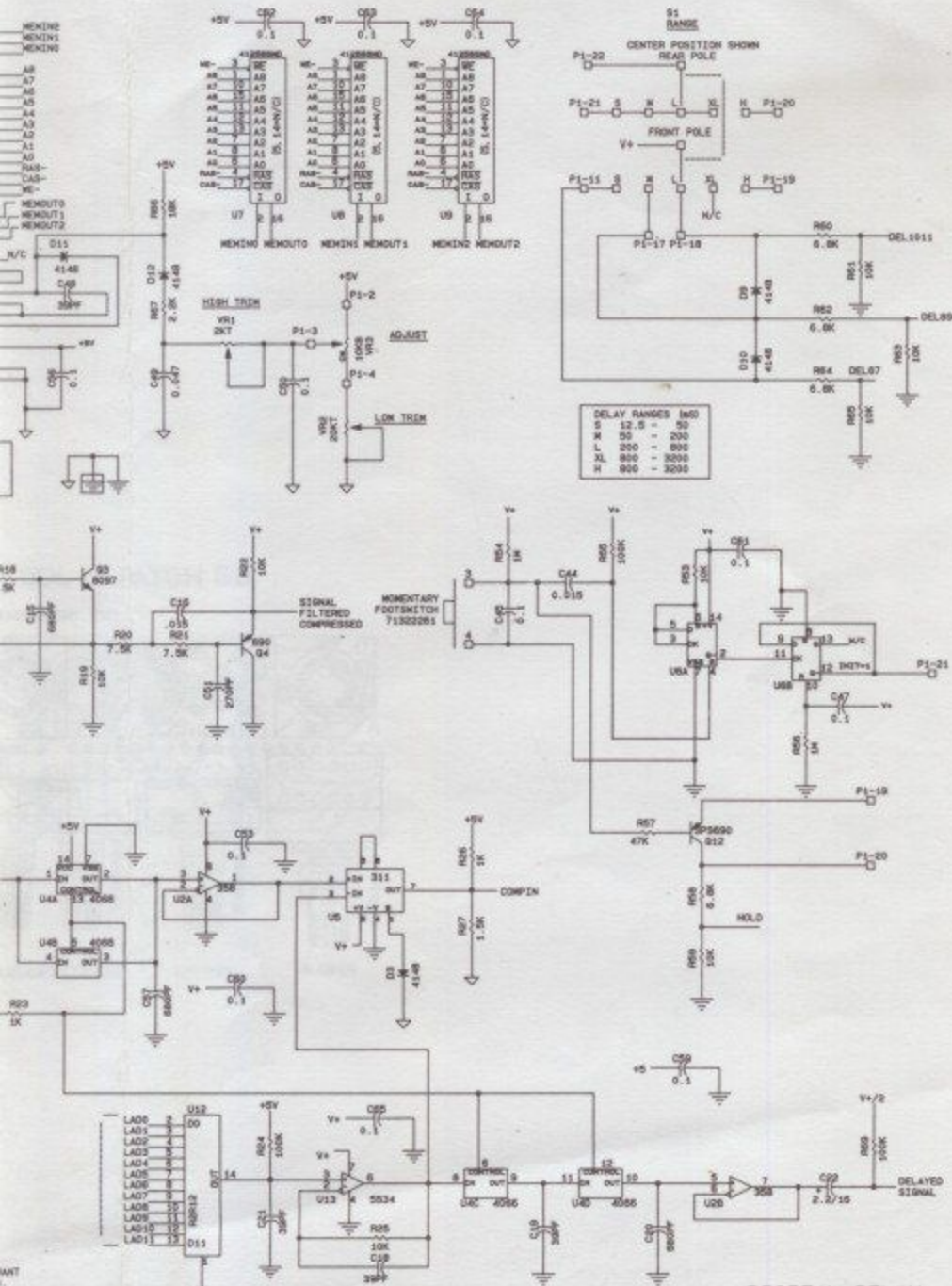


NOTES:  
 ALL RESISTORS 1/4W UNLESS NOTED  
 ALL RESISTORS IN OHMS UNLESS NOTED  
 ALL POTS ARE LINEAR UNLESS NOTED  
 ALL CAPACITORS IN MFD UNLESS NOTED  
 ALL DIODES 1N4148 UNLESS NOTED  
 VOLTAGES MAY VARY FROM UNIT TO UNIT  
 THIS UNIT COMPLIES WITH THE LIMITS  
 FOR A CLASS B COMPUTING DEVICE PLUS  
 TO SUBPART J OF PART 15 OF FCC RUL.



**DIGITAL DELAY**

DDL-3  
 XEtel SO. #7210025  
 PATCH SO. #36093452

PERVEY ELECTRONICS CORP.  
 711 S ST.  
 MERIDIAN, MS

DOWN BY *dRH* DATE *9-11-87*  
 C.B. CK. *dRH*  
 CK. BY  
 APPR. BY *Fred Allen*