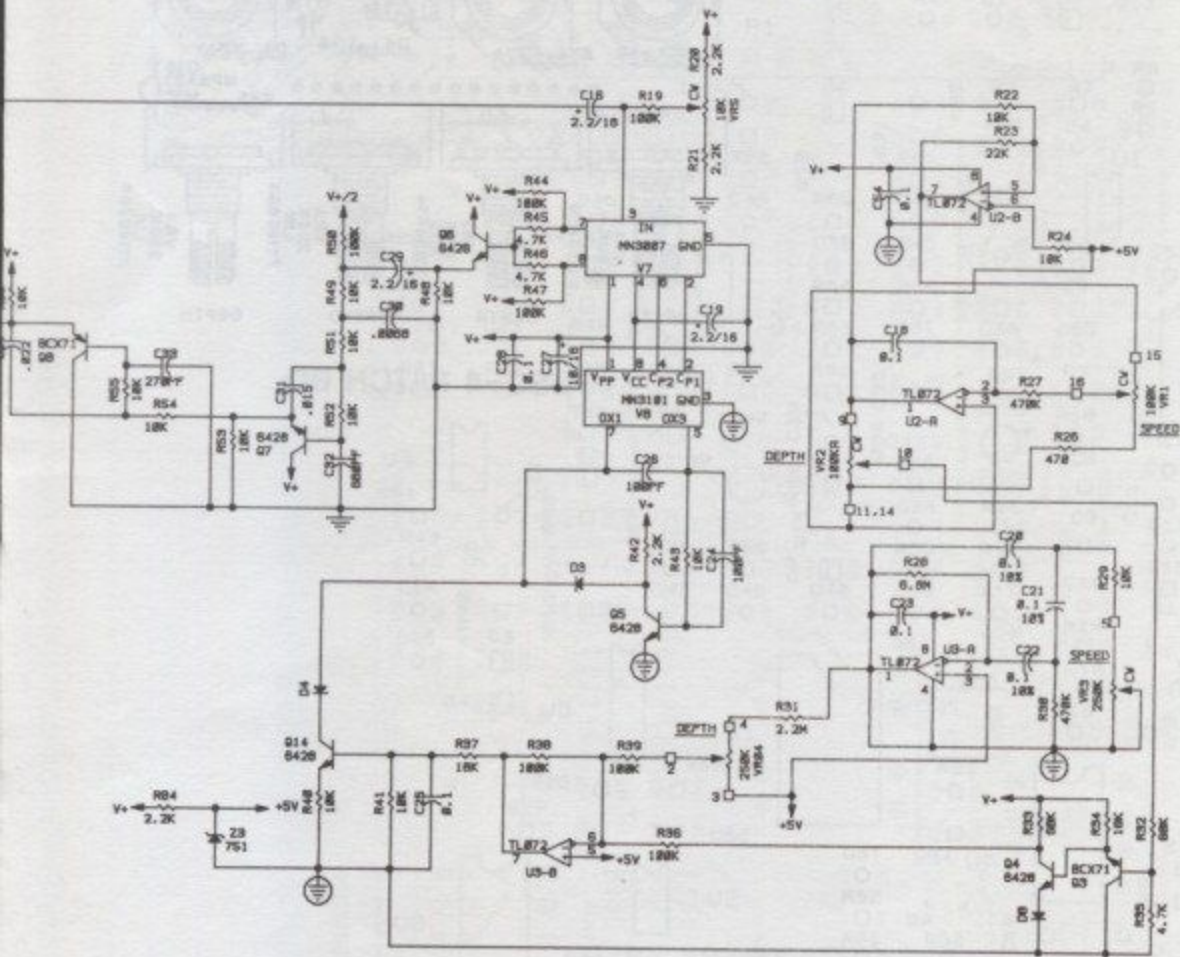


NOTES:  
 ALL RESISTORS 1/4W UNLESS NOTED  
 ALL RESISTORS IN OHMS UNLESS NOTED  
 ALL POTS ARE LINEAR UNLESS NOTED  
 ALL CAPACITORS IN MFD UNLESS NOTED  
 ALL DIODES 1N4148 UNLESS NOTED  
 VOLTAGES MAY VARY FROM UNIT TO UNIT



DSC-4

PRITCH. BD. #98893441 (8-11-87)  
 SIGNAL. BD. #72188857 (7-28-87)

PERVEY ELECTRONICS CORP.  
 711 R ST.  
 MERIDEN, CT

DRAWN BY DRH DATE 10-23-87

C.B. CK. DRH

CK. BY R. Kelly

APPR. BY