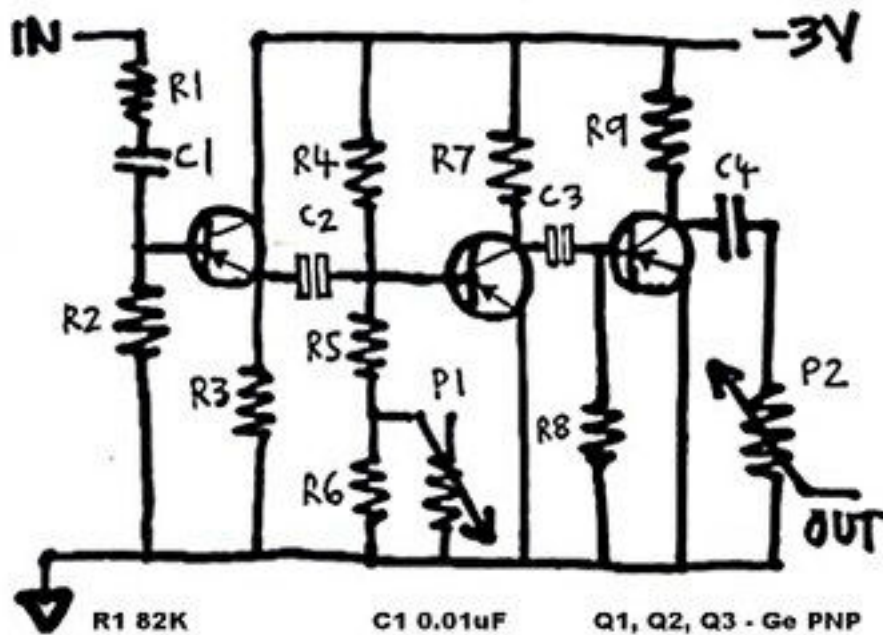
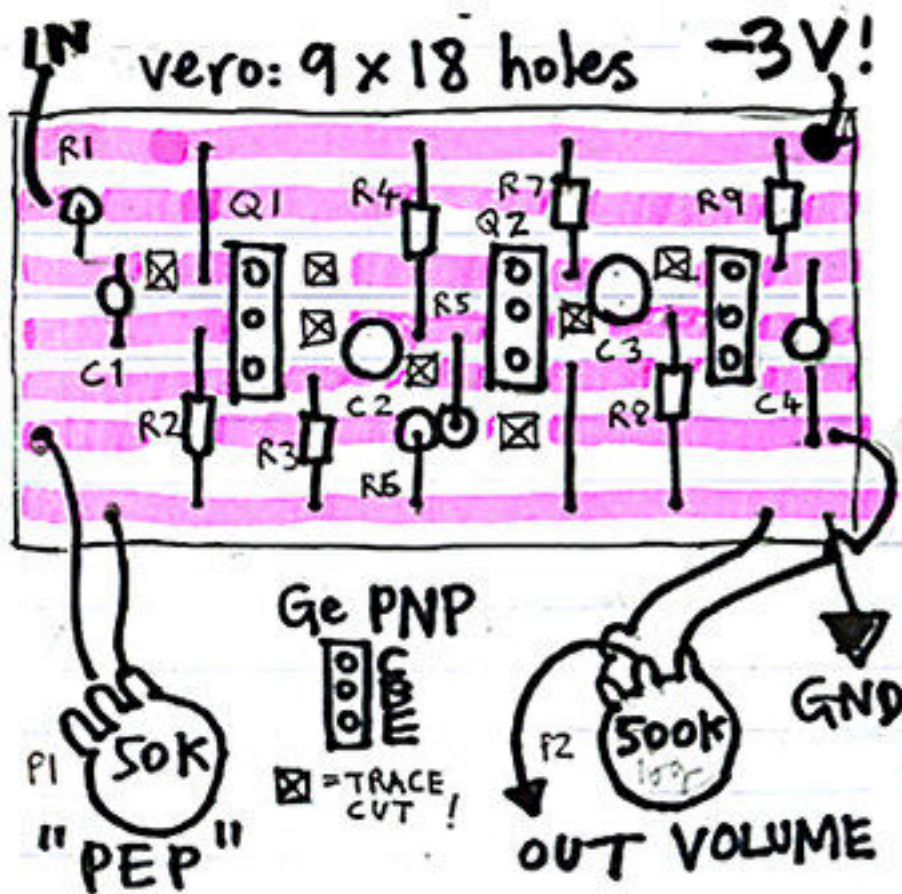


Germanium Rush Pep Box



- | | | |
|--------------------|---------------|---------------------|
| R1 82K | C1 0.01uF | Q1, Q2, Q3 - Ge PNP |
| R2 1M | C2, C3 1uF NP | hfe approx 907 |
| R3, R7, R8, R9 10K | electrolytic | |
| R4 470K | C4 0.033 uF | P1, P2 50K |
| R5 2K4 | | log |
| R6 24K | | |



First version of Pepe Rush fuzz /Rush Pep Box
red wedge enclosure without WEM branding, 1965
Simon Murphy, July 2008