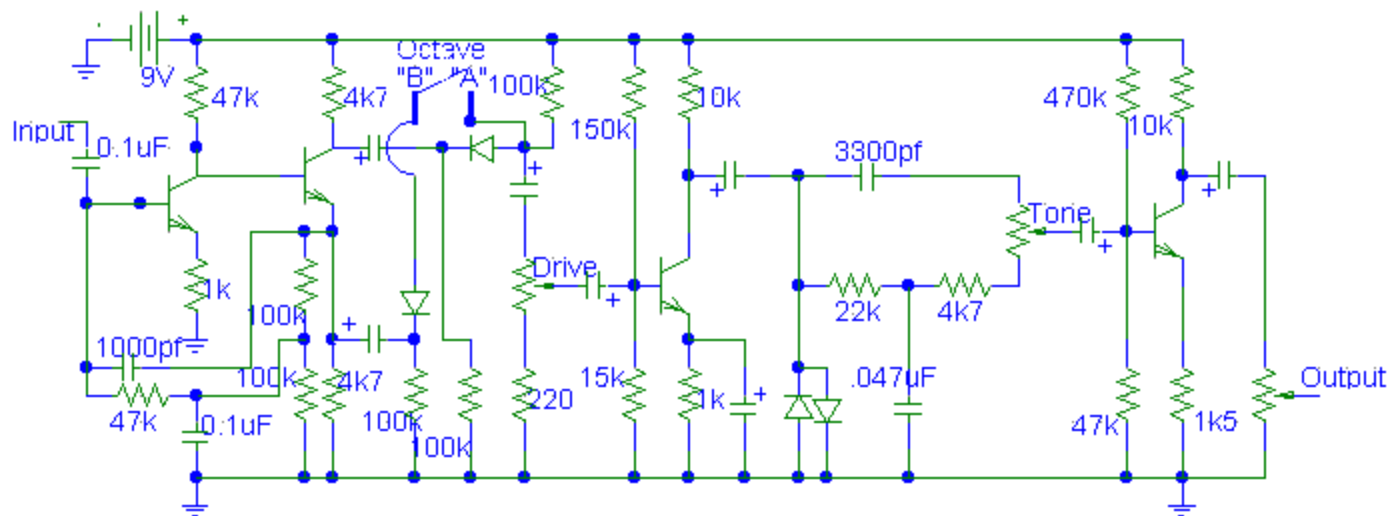


# fOXX tone machine



Transistors are 2N3565  
 Diodes are 1N34A germaniums  
 Electrolytic capacitors are 10uF 16V  
 Pots are 50K

Drawn by Justin Philpott 10-97

Prescription Electronics: Experience Effects Pedal

