

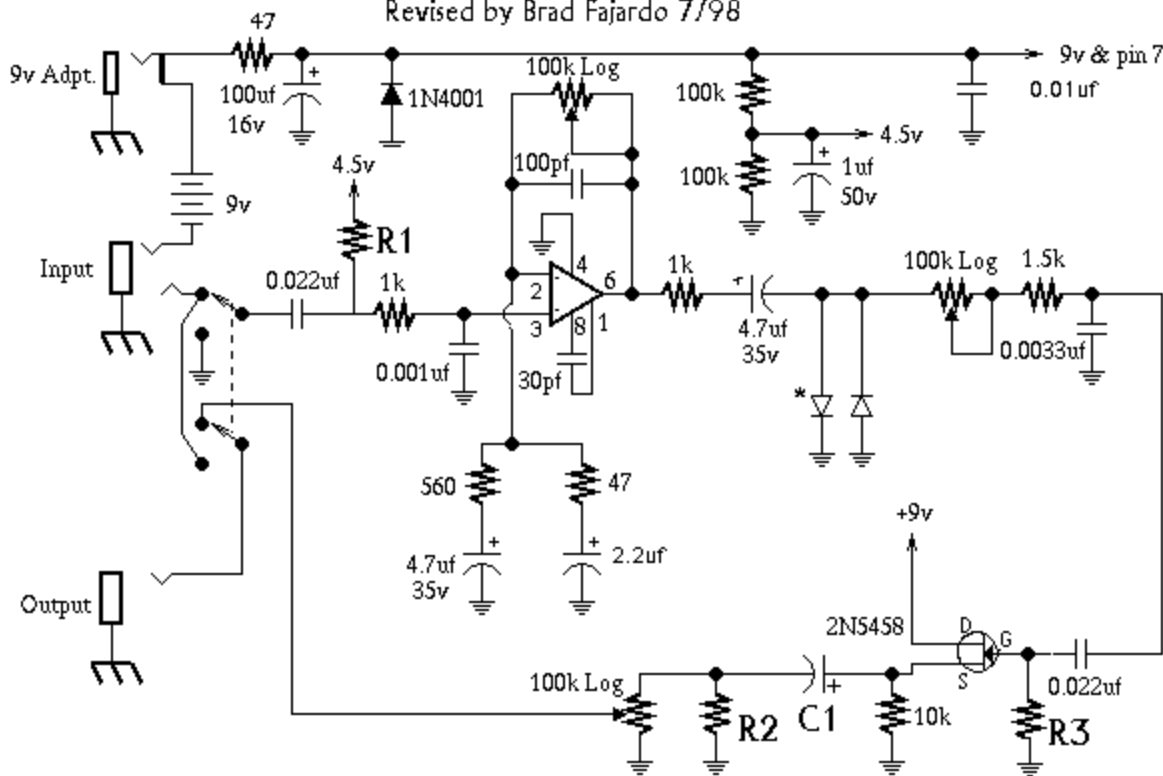
REV: P	DATE: 6 JANUARY 2006	ENG: DIRK_HENDRIK
PROJECT: PROCO RAT DISTORTION		
COMPANY: ADDRESS: CITY: AMSTERDAM COUNTRY: HOLLAND		
INITIAL	6 JANUARY 2006	PAGE: 1 OF: 1

ALTHOUGH BELIEVED TO BE CORRECT THIS SCHEMATIC WAS REVERSE ENGINEERED FROM ORIGINALS. THEREFORE IT IS POSSIBLE ERRORS WERE MADE IN THE REVERSE ENGINEERING PROCESS

ProCo Rat Distortion

Original Drawing by RG Keen

Revised by Brad Fajardo 7/98



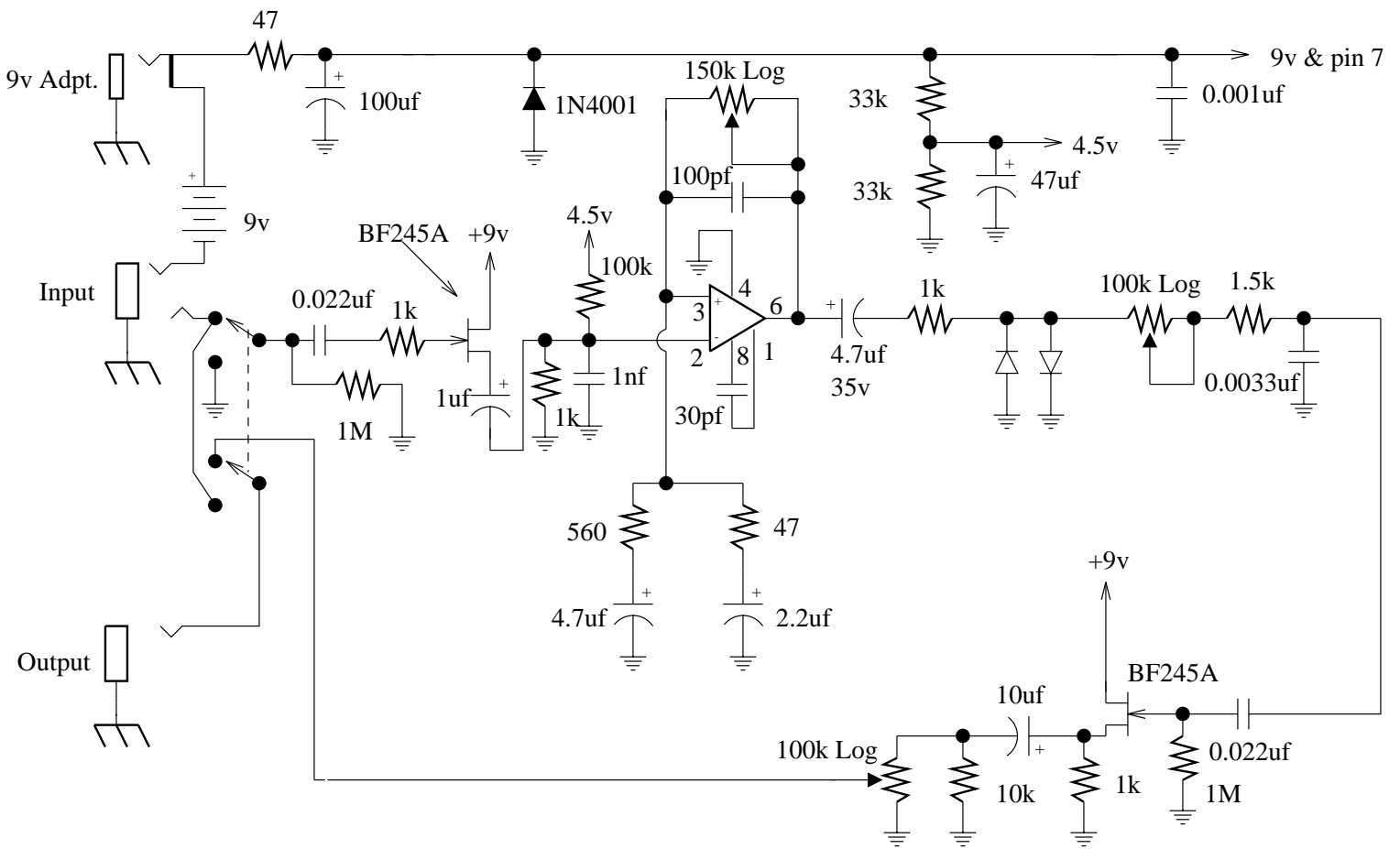
Component	Original Rat	LED Rat	Turbo Rat
R1	1M	220K	220K
R2	None	10K	10K
R3	1M	100K	100K
C1	1uF	10uF	10uF/50V
*Diodes	1N914	1N914	1N34A

Current Drain @ 9v

~ .6ma, no Input (idle)

~ 1.6ma, full output

ProCo Rat Distortion



IC = LM308

Diodes = 1N4148