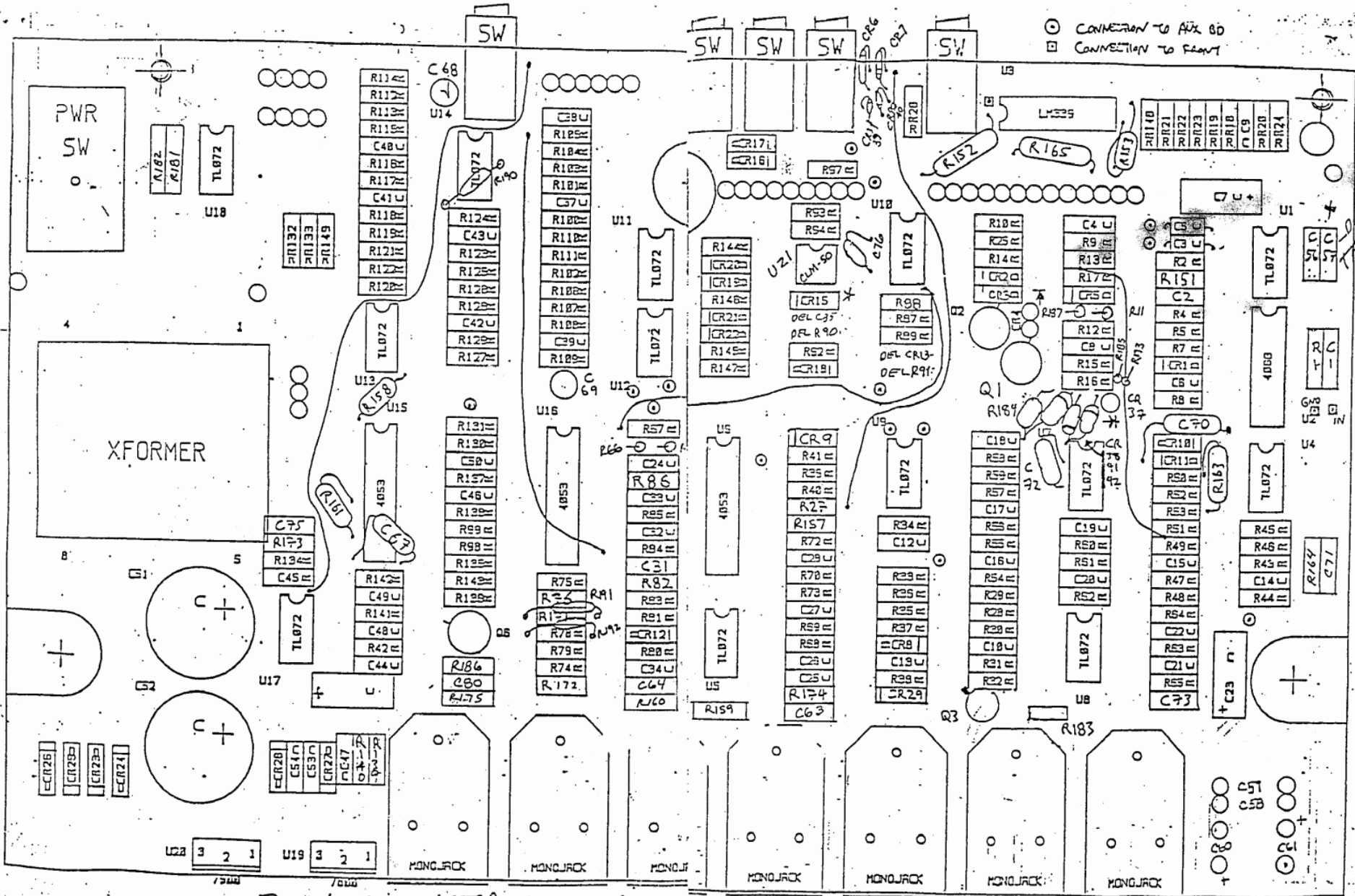


ORIG. DRG



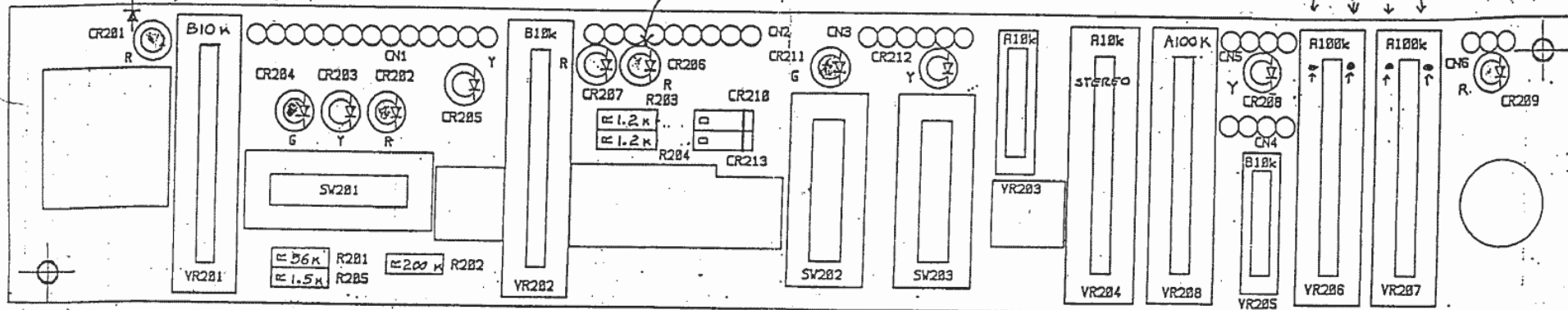
REV 6 SUSTAINOR ASSEMBLY

2/28/56

CUT TRACE  
ON BOTTOM  
OF CR201

NO SPACER

ON SOLDER SIDE  
ADD R181 + L82  
BOTH 100K 5%



- IN HOUSE ASSY.

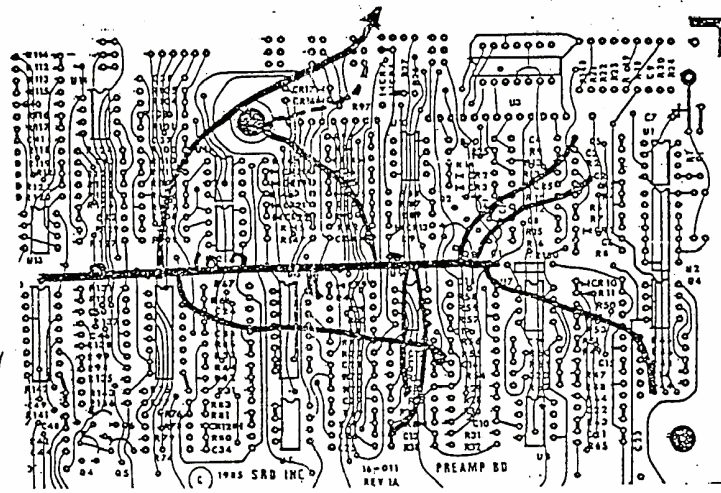
UPDATED 2-7-86  
UPDATED 2-17-86

SCHOLZ RESEARCH AND DEVELOPMENT	
ASSEMBLY DRAWING	
PREAMP SUSTAINOR (16-812)	
DRAWN BY: WFC.	DATE: 10/31/85
DRAWING NUMBER: 30-809	REVISION: 1

3

PREAMP  
AUX BOARD  
ASSEMBLY

1-28-85 NM



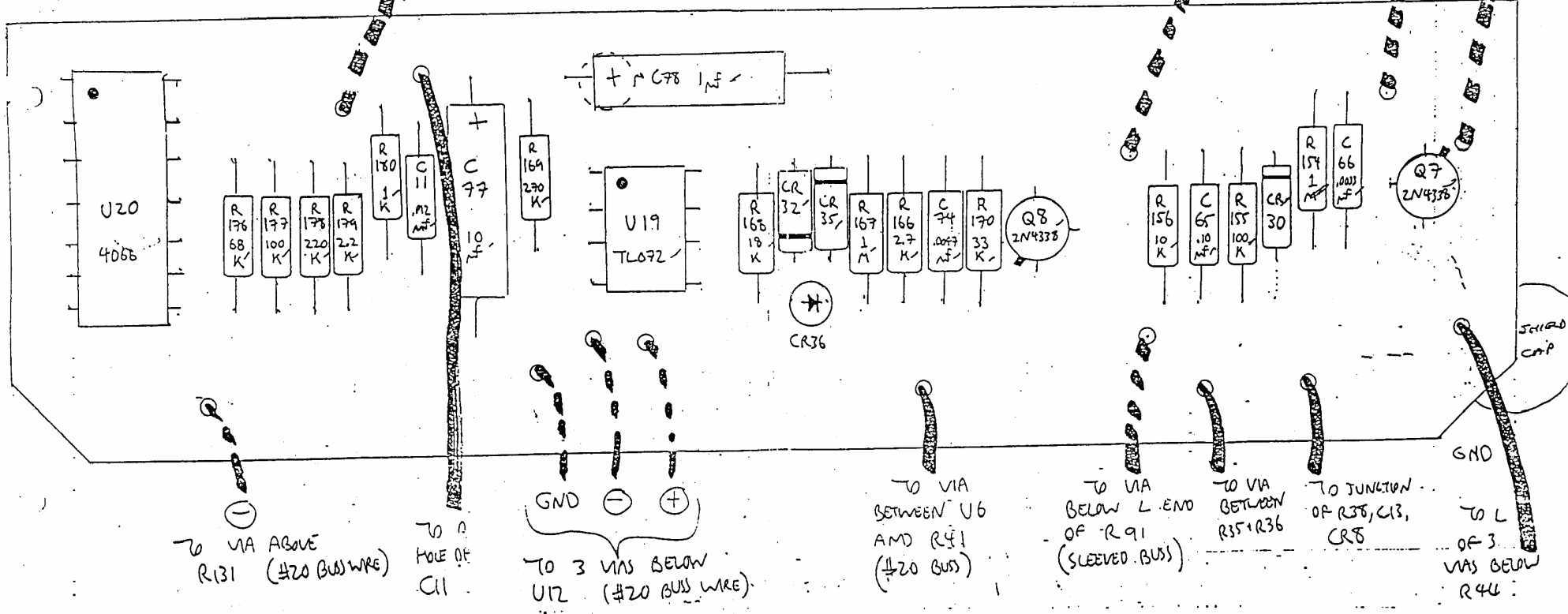
TOP  
VIEW

TO FRONT BOARD  
VR 202 CONNECTION

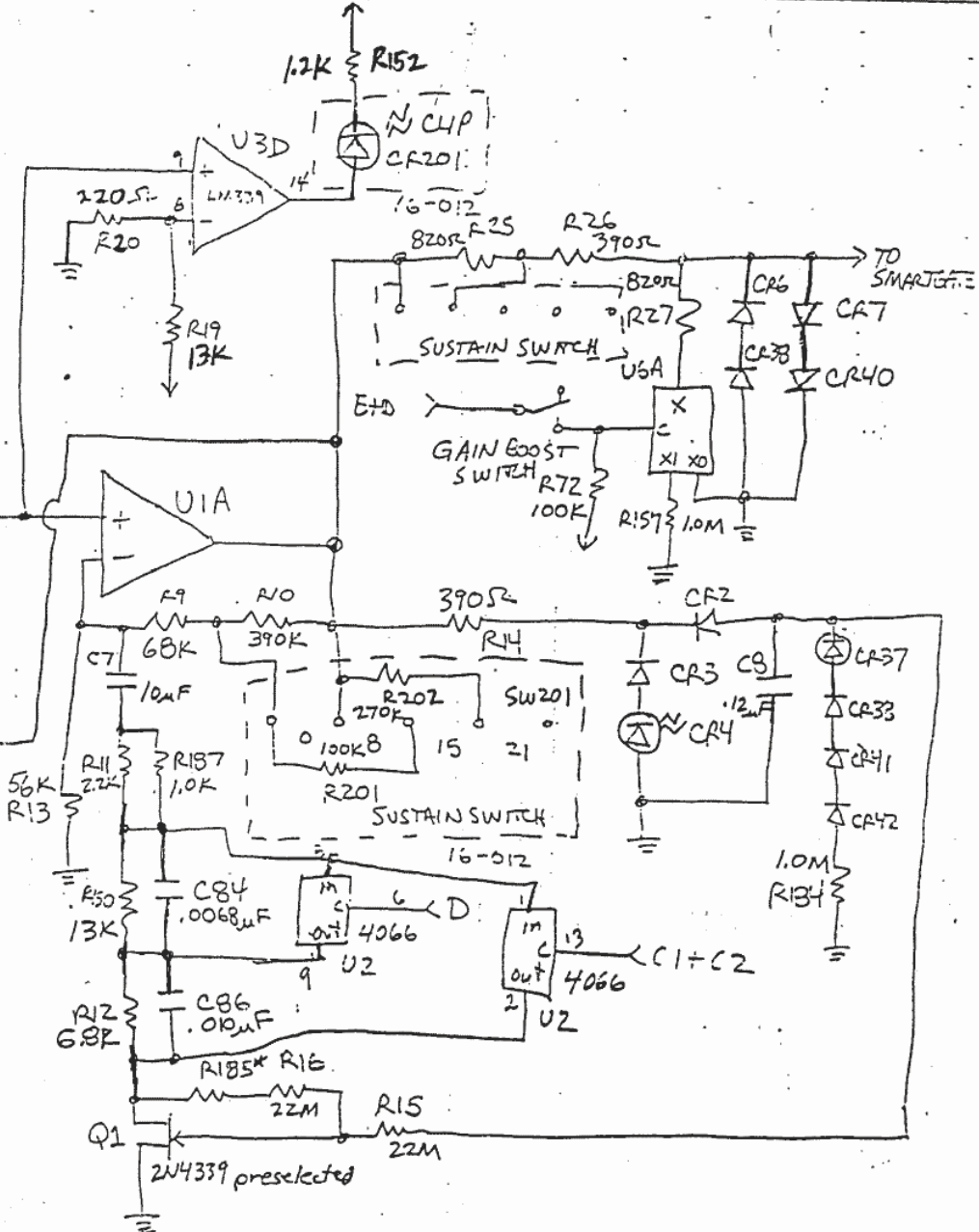
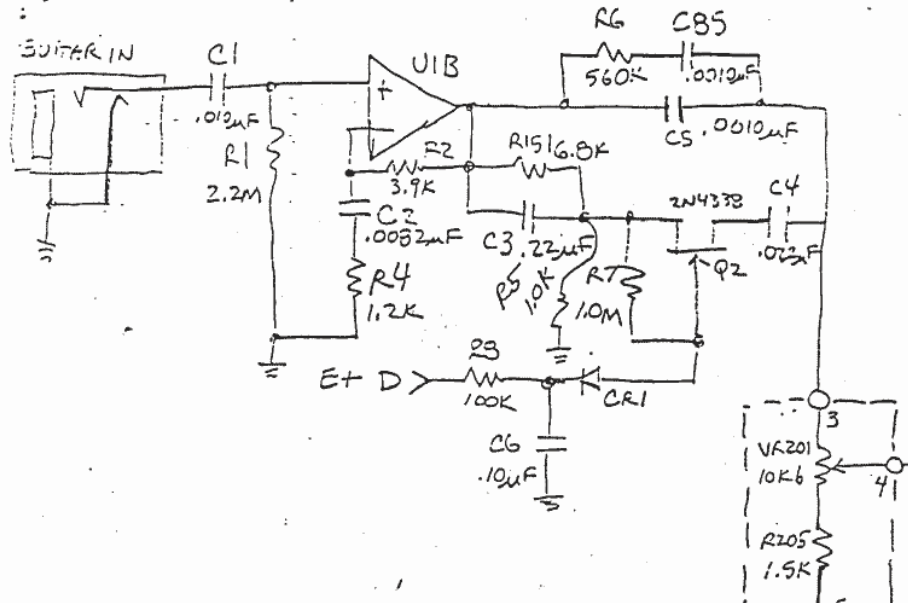
TO SWZ  
(THRU HOLE)

TO CS  
L END

TO VIA  
BENEATH C2

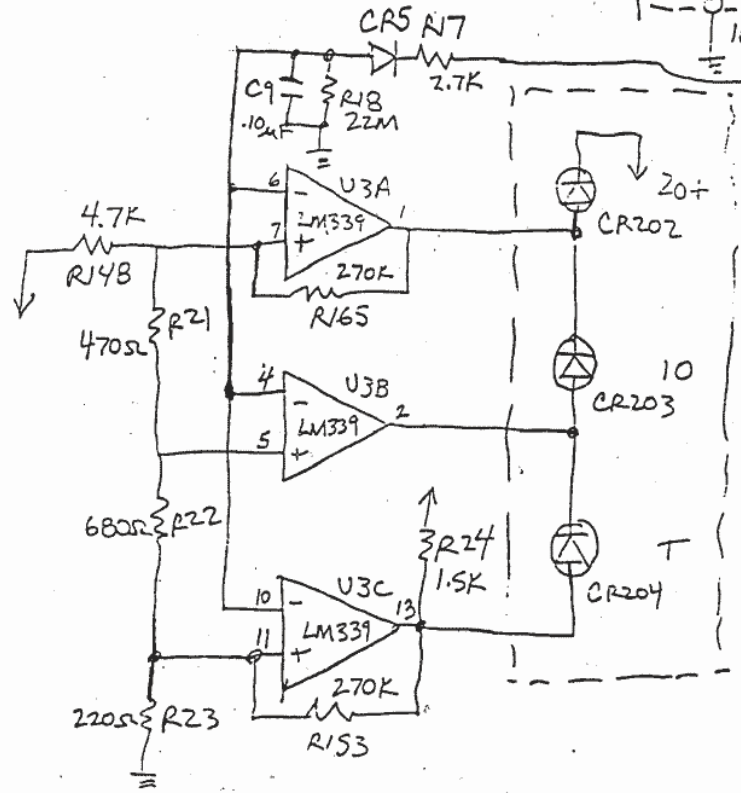


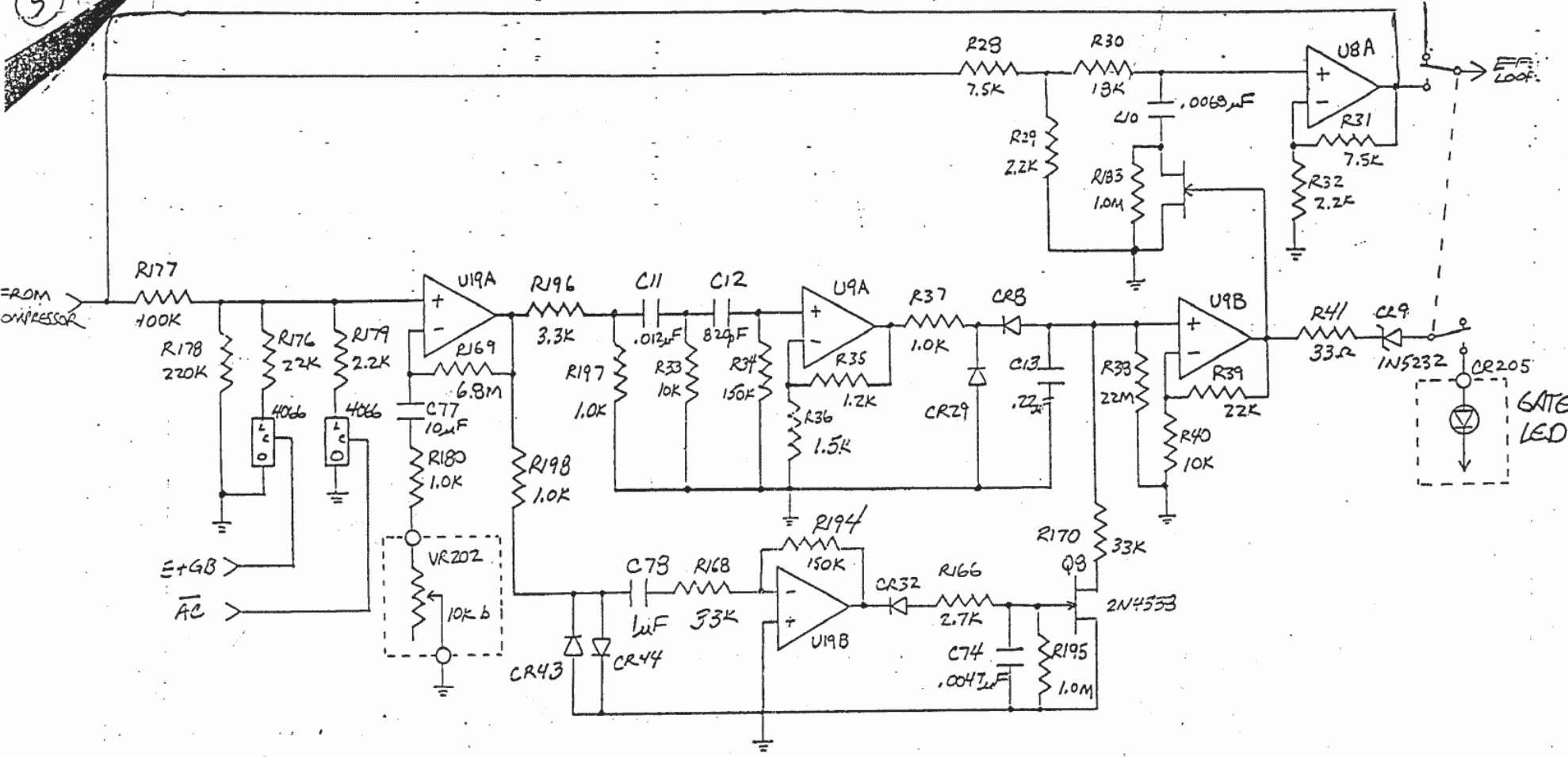
# 4 COMPRESSOR



\*R185 matched to Q1

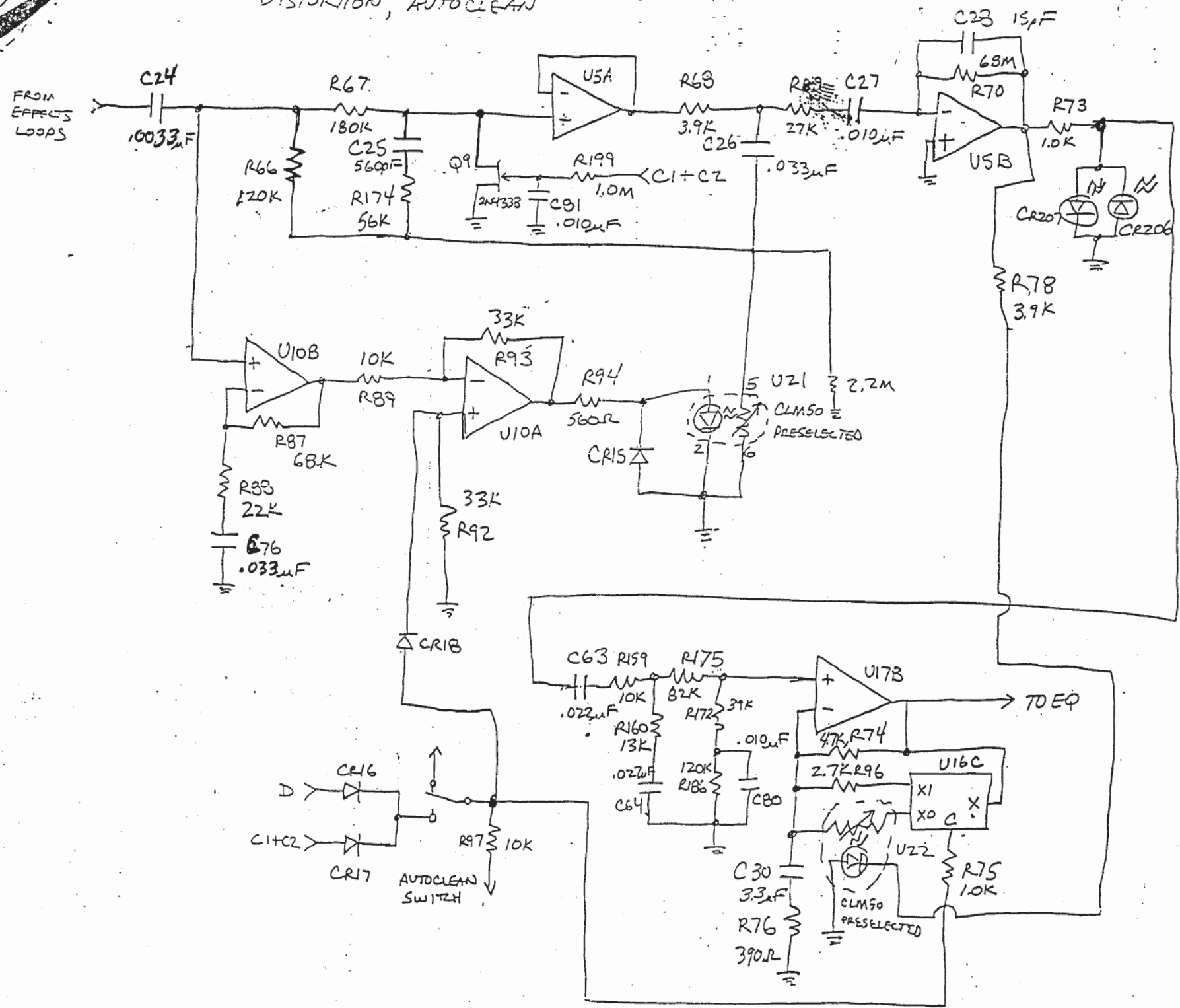
# SUSTAINOR



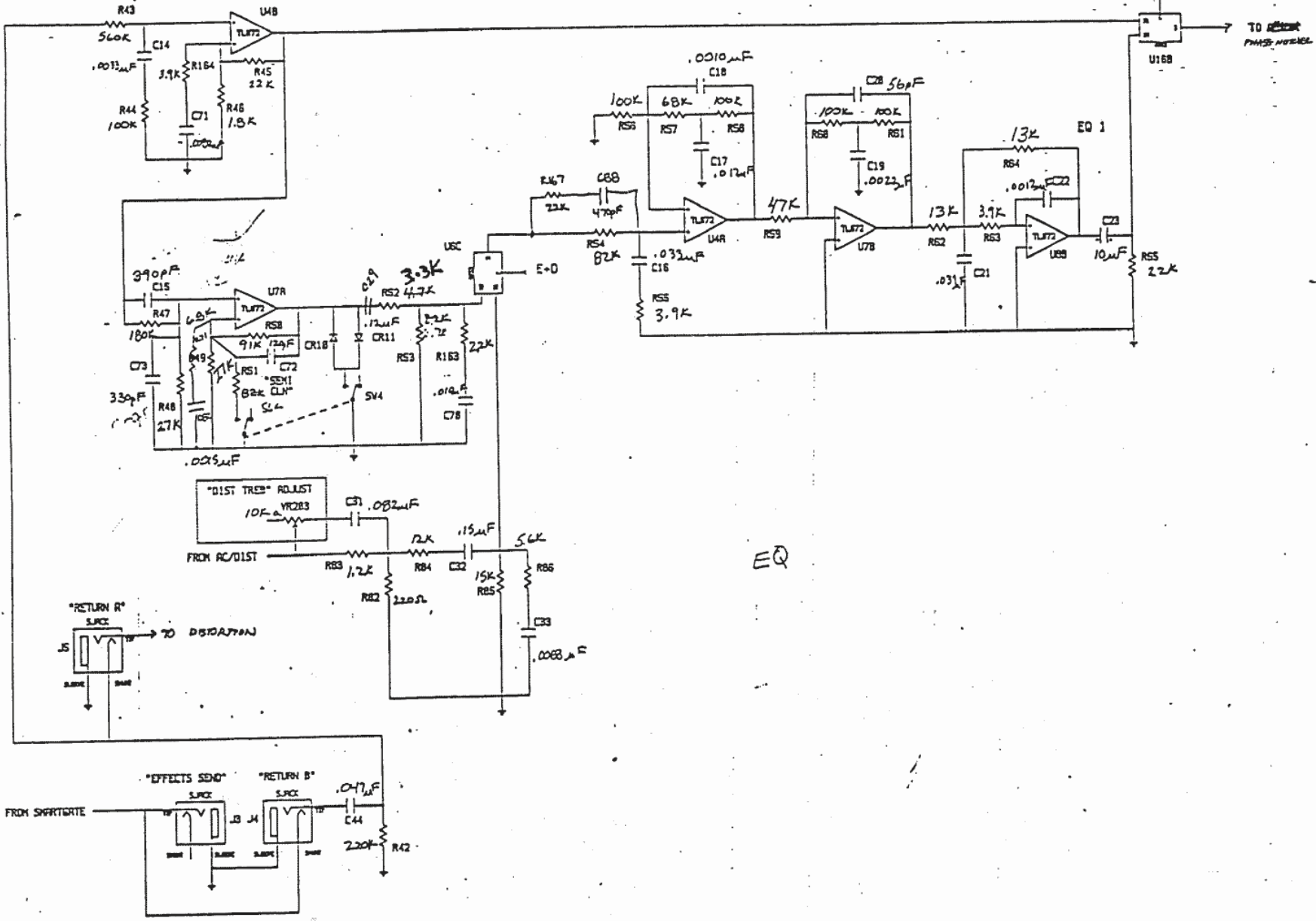


SMARTGATE

DISTORTION, AUTOCLEAN

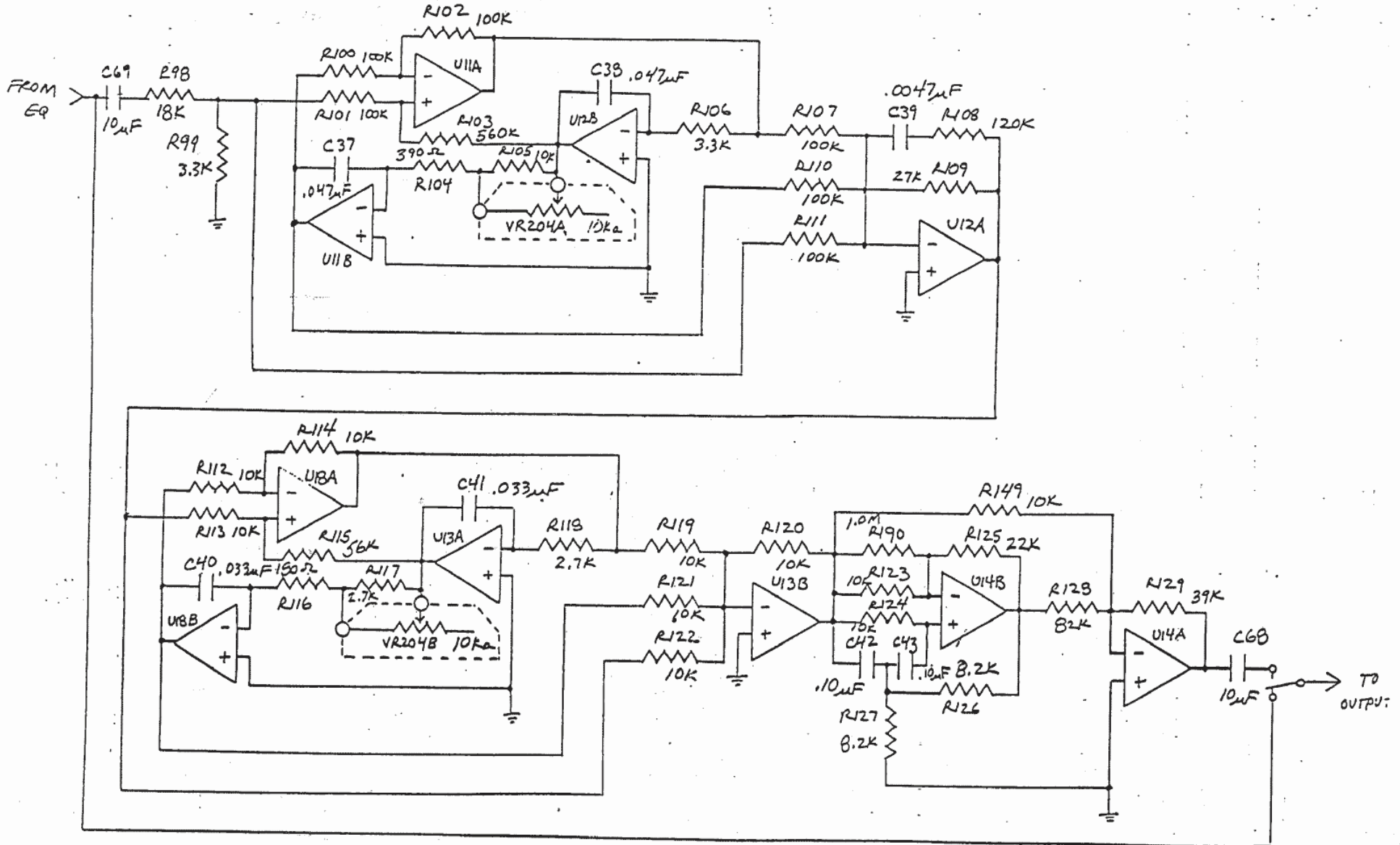


EG 2

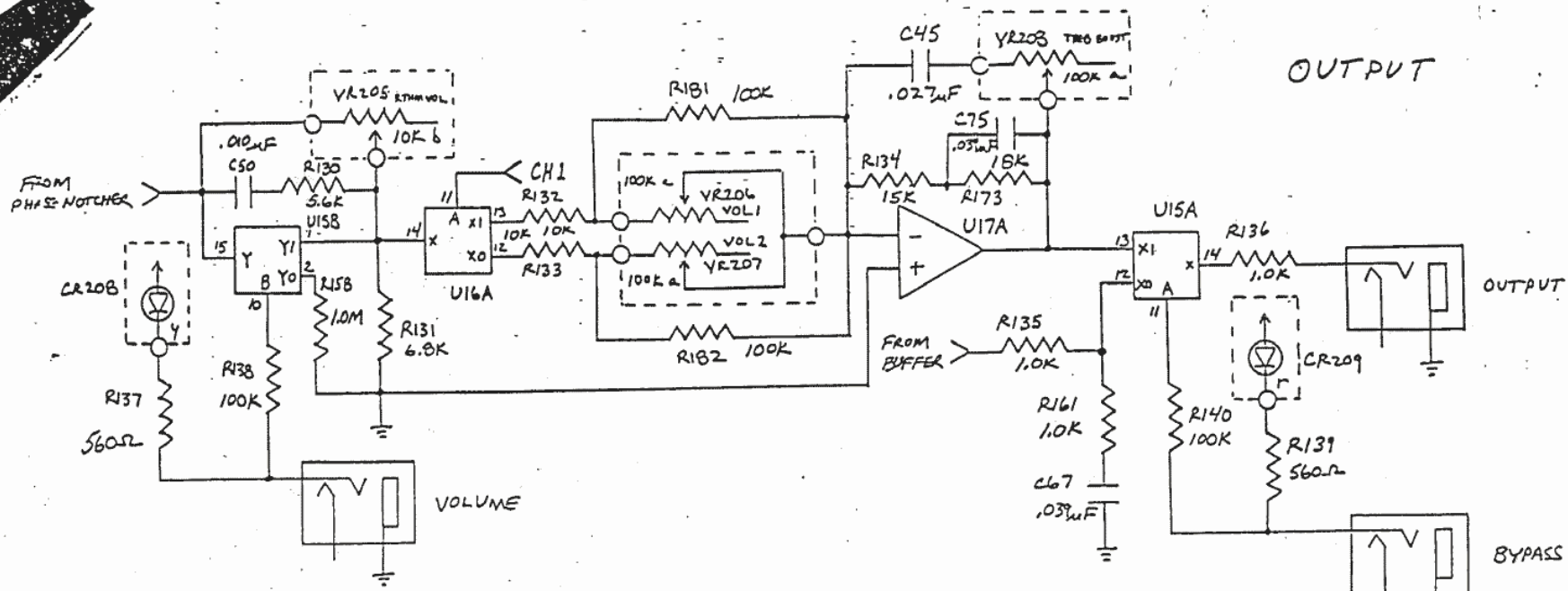


EQ

PHASE NOTCHER







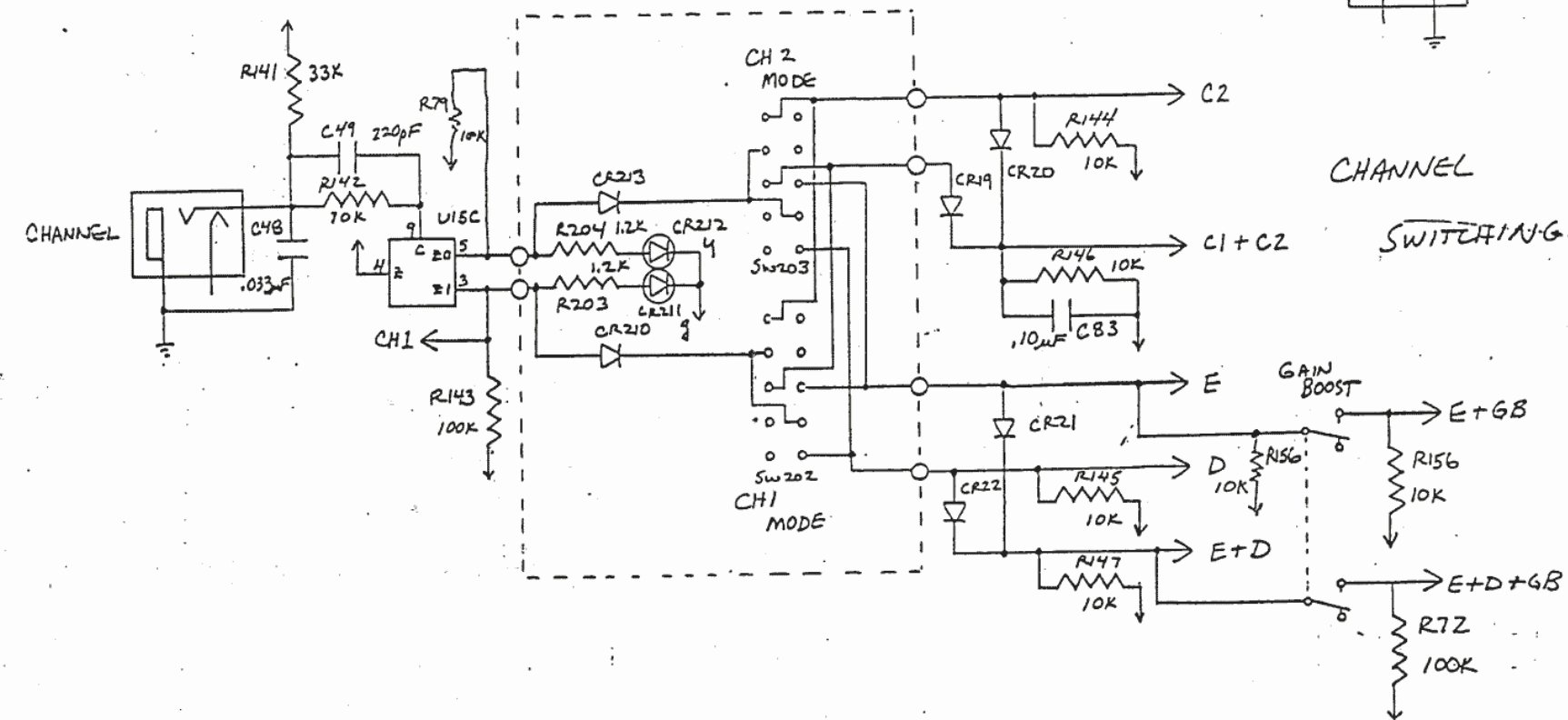
OUTPUT

OUTPUT

BYPASS

CHANNEL

SWITCHING



GAIN BOOST

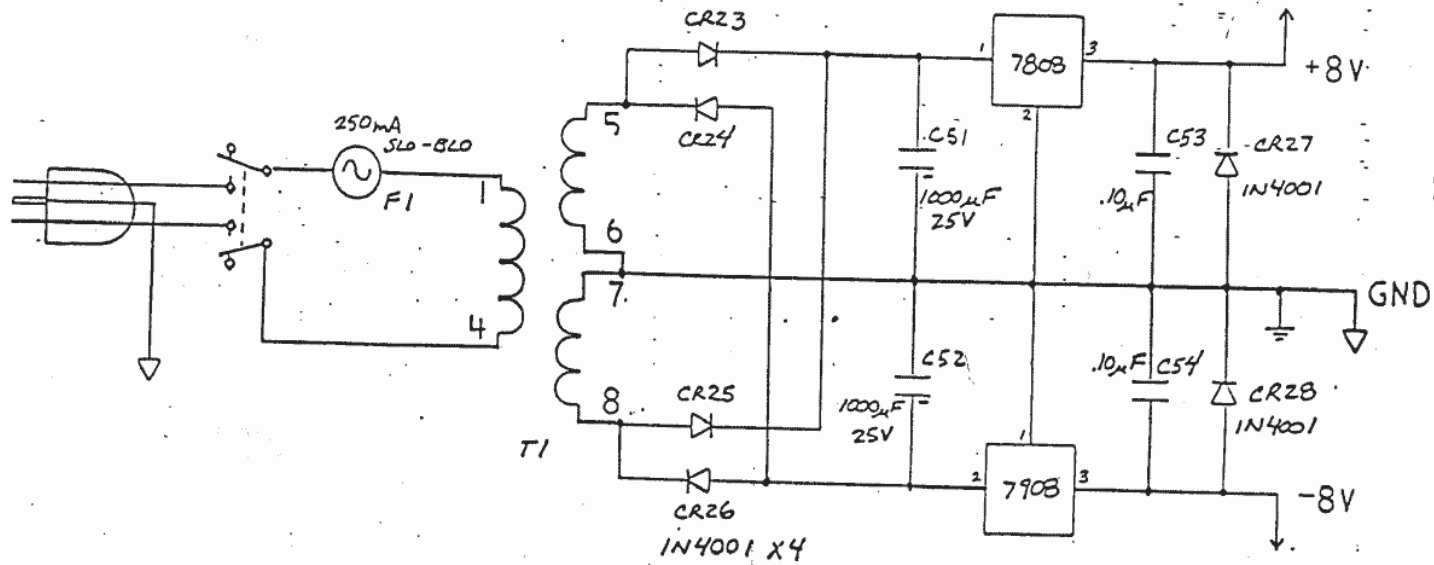
E+GB

D

E+D+GB

R72

100K



SUPPLY BYPASSING  
C56,57,58